

THESE DOCUMENTS ARE NOT FOR PERMIT OR CONSTRUCTION.  
 THEY MUST BE COMPLETED AND/OR MODIFIED BY A LICENSED  
 ARCHITECT AND ENGINEER TO CONFORM TO ALL LOCAL AND  
 APPLICABLE CODES AND SPECIFIC SITE CONDITIONS. THERE IS NO  
 WARRANTY, WHETHER IMPLIED OR EXPRESSED, THAT THESE  
 DOCUMENTS MEET THE APPLICABLE CODE REQUIREMENTS. LIABILITY  
 FOR THE DESIGN AND ANY USE OF THE DOCUMENTS IS THE SOLE  
 RESPONSIBILITY OF THE ARCHITECT AND ENGINEER OF RECORD.

**POPEYES**  
 LK 1260-DL-PLUS PROTOTYPE  
 E.I.F.S. / SIMULATED STONE  
 LOUISIANA KITCHEN LK-PLUS DESIGN STANDARDS  
 60 SEATS / DUAL-LINE PRODUCTION

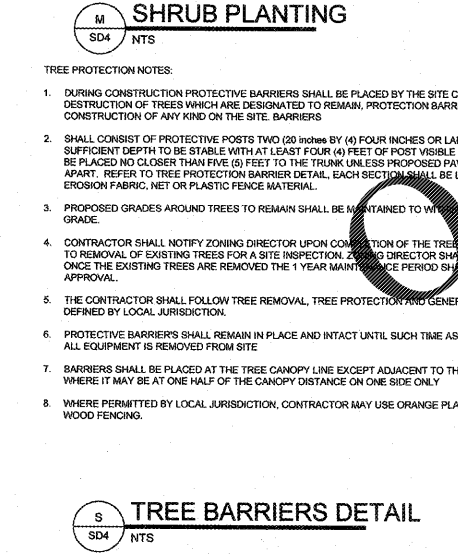
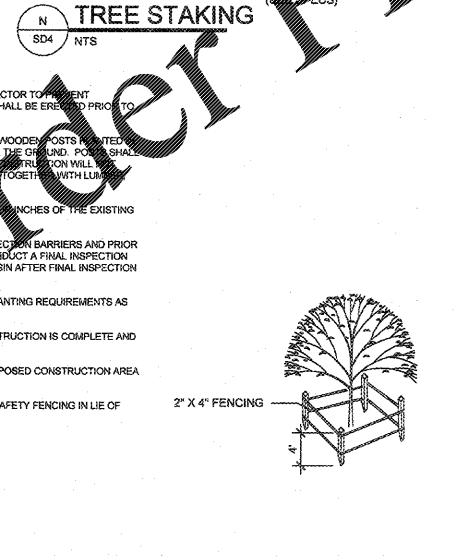
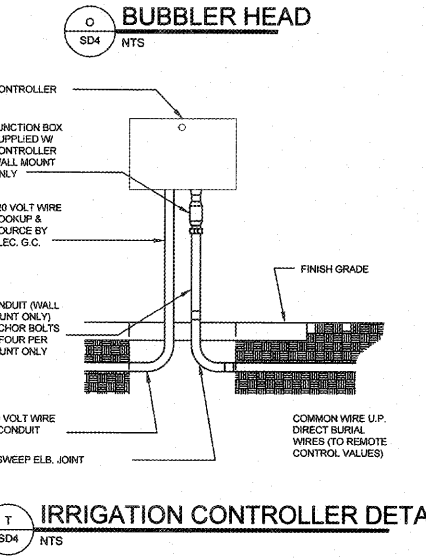
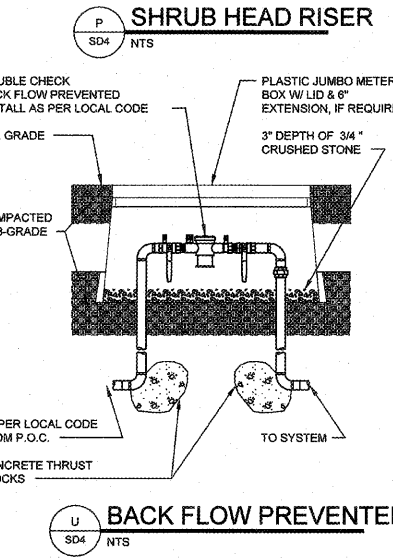
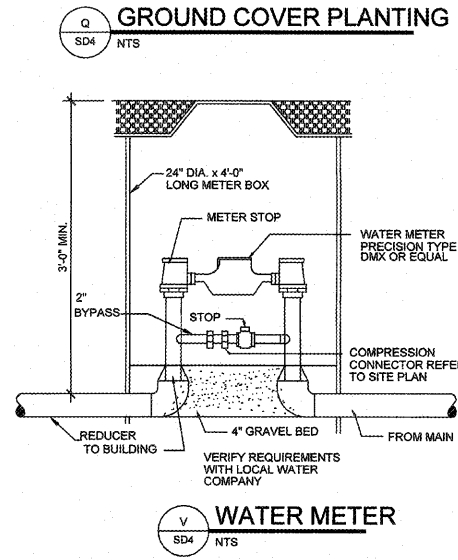
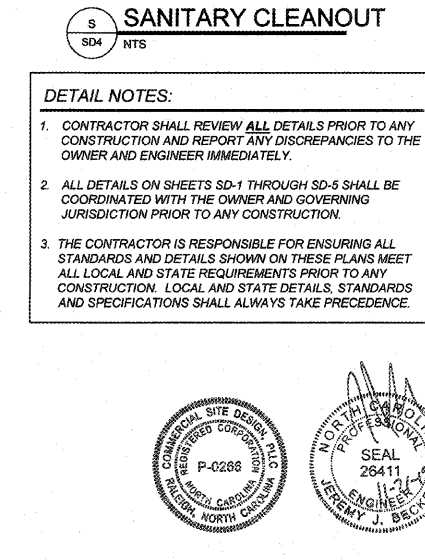
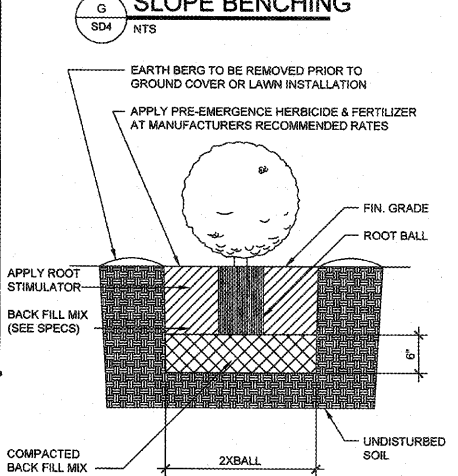
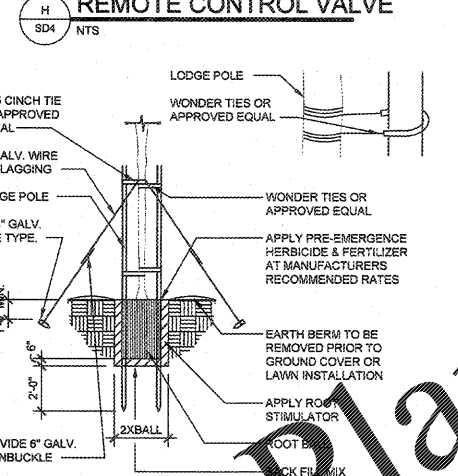
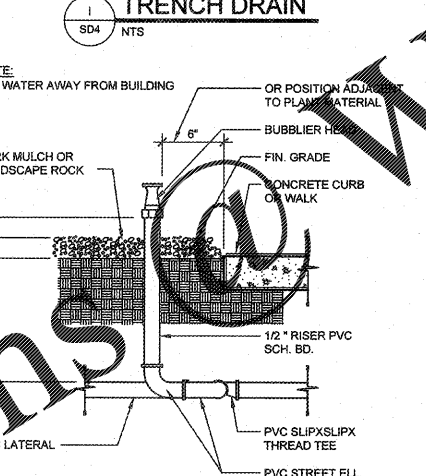
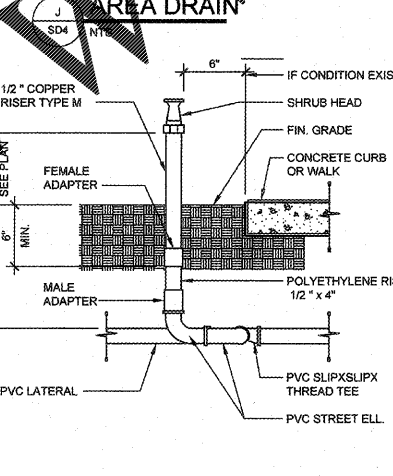
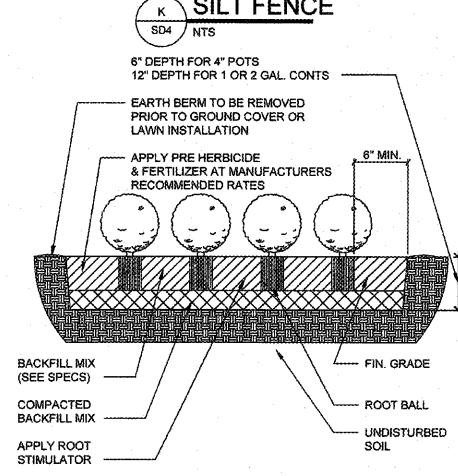
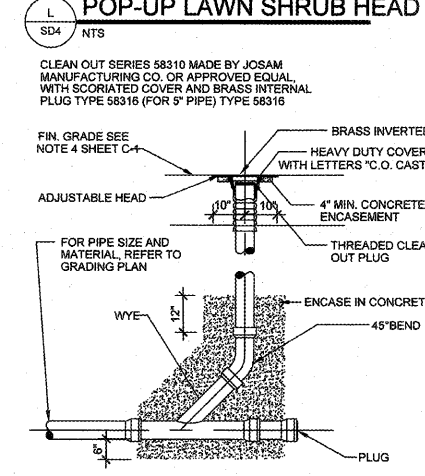
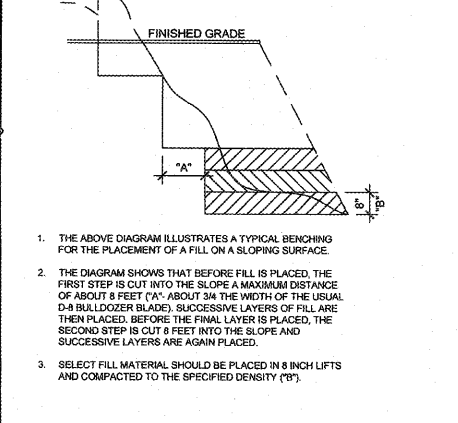
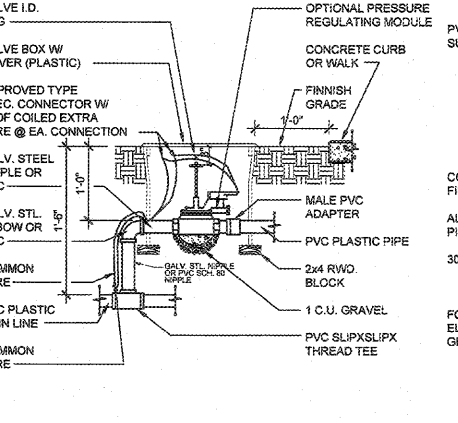
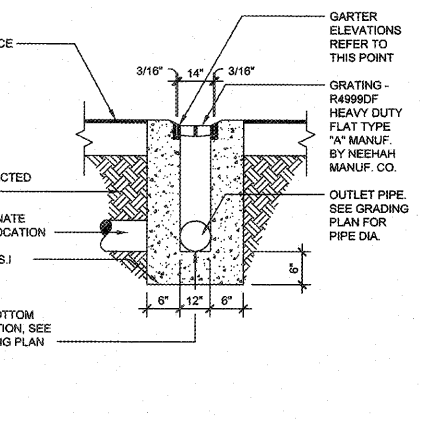
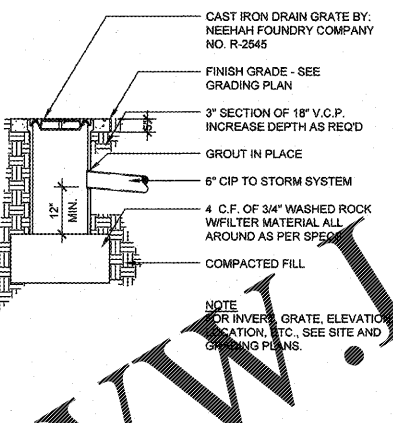
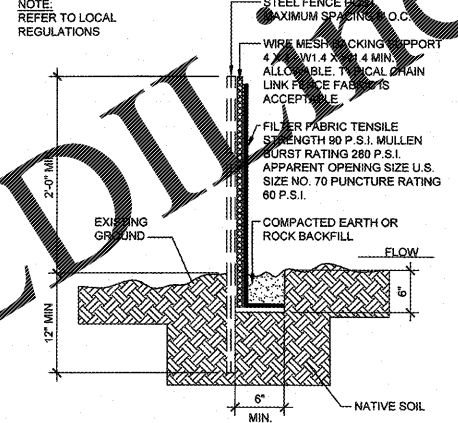
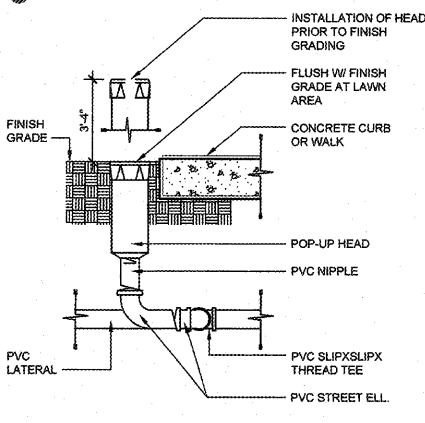
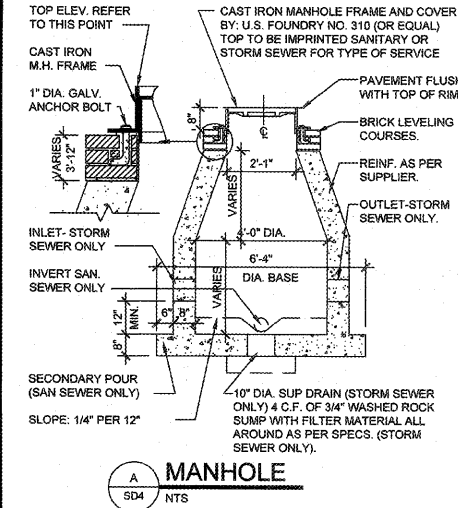
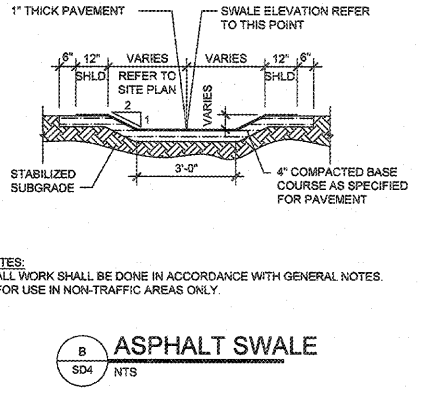
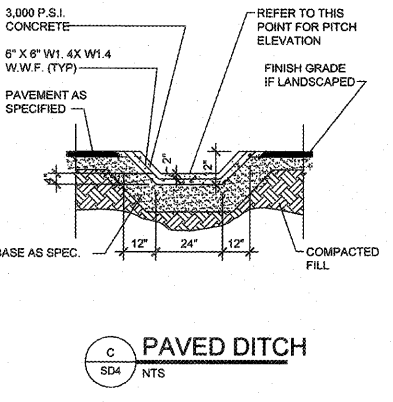
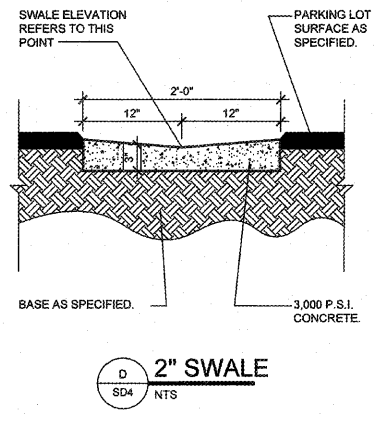
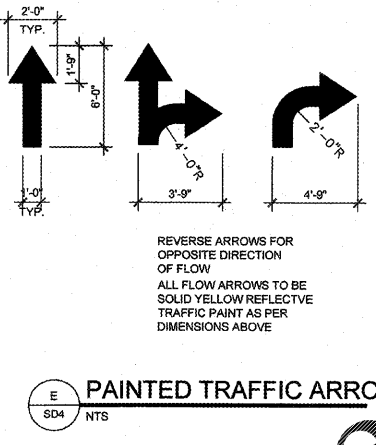
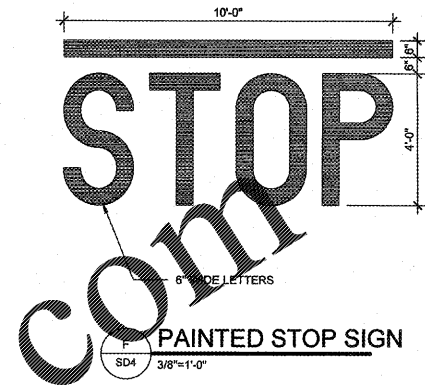


REVISIONS:

DATE: 03/29/13

**SD4**

CHECKED: KR



**DETAIL NOTES:**

- CONTRACTOR SHALL REVIEW ALL DETAILS PRIOR TO ANY CONSTRUCTION AND REPORT ANY DISCREPANCIES TO THE OWNER AND ENGINEER IMMEDIATELY.
- ALL DETAILS ON SHEETS SD-1 THROUGH SD-5 SHALL BE COORDINATED WITH THE OWNER AND GOVERNING JURISDICTION PRIOR TO ANY CONSTRUCTION.
- THE CONTRACTOR IS RESPONSIBLE FOR ENSURING ALL STANDARDS AND DETAILS SHOWN ON THESE PLANS MEET ALL LOCAL AND STATE REQUIREMENTS PRIOR TO ANY CONSTRUCTION. LOCAL AND STATE DETAILS, STANDARDS AND SPECIFICATIONS SHALL ALWAYS TAKE PRECEDENCE.



**TREE PROTECTION NOTES:**

- DURING CONSTRUCTION PROTECTIVE BARRIERS SHALL BE PLACED BY THE SITE CONTRACTOR TO PREVENT DESTRUCTION OF TREES WHICH ARE DESIGNATED TO REMAIN. PROTECTIVE BARRIERS SHALL BE ERECTED PRIOR TO CONSTRUCTION OF ANY KIND ON THE SITE. BARRIERS SHALL BE PLACED AT THE TREE CANOPY LINE EXCEPT ADJACENT TO THE PROPOSED CONSTRUCTION AREA WHERE IT MAY BE AT ONE HALF OF THE CANOPY DISTANCE ON ONE SIDE ONLY.
- SHALL CONSIST OF PROTECTIVE POSTS TWO (2) INCHES BY (4) FOUR INCHES OR LARGER, WOODEN POSTS NOTED SUFFICIENT DEPTH TO BE STABLE WITH AT LEAST FOUR (4) FEET OF POST VISIBLE ABOVE THE GROUND. POSTS SHALL BE PLACED NO CLOSER THAN FIVE (5) FEET TO THE TRUNK UNLESS PROPOSED PAVING OR CONSTRUCTION WALL IS APART. REFER TO TREE PROTECTION BARRIER DETAIL. EACH SECTION SHALL BE LINKED TOGETHER WITH LIGHT EROSION FABRIC, NET OR PLASTIC FENCE MATERIAL.
- PROPOSED GRADES AROUND TREES TO REMAIN SHALL BE MAINTAINED TO WITHIN (4) FEET INCHES OF THE EXISTING GRADE.
- CONTRACTOR SHALL NOTIFY ZONING DIRECTOR UPON COMPLETION OF THE TREE PROTECTIVE BARRIERS AND PRIOR TO REMOVAL OF EXISTING TREES FOR A SITE INSPECTION. ZONING DIRECTOR SHALL CONDUCT A FINAL INSPECTION ONCE THE EXISTING TREES ARE REMOVED THE 1 YEAR MAINTENANCE PERIOD SHALL BEGIN AFTER FINAL INSPECTION APPROVAL.
- THE CONTRACTOR SHALL FOLLOW TREE REMOVAL, TREE PROTECTION AND GENERAL PLANTING REQUIREMENTS AS DEFINED BY LOCAL JURISDICTION.
- PROTECTIVE BARRIERS SHALL REMAIN IN PLACE AND INTACT UNTIL SUCH TIME AS CONSTRUCTION IS COMPLETE AND ALL EQUIPMENT IS REMOVED FROM SITE.
- BARRIERS SHALL BE PLACED AT THE TREE CANOPY LINE EXCEPT ADJACENT TO THE PROPOSED CONSTRUCTION AREA WHERE IT MAY BE AT ONE HALF OF THE CANOPY DISTANCE ON ONE SIDE ONLY.
- WHERE PERMITTED BY LOCAL JURISDICTION, CONTRACTOR MAY USE ORANGE PLASTIC SAFETY FENCING IN LIE OF WOOD FENCING.

**TREE BARRIERS DETAIL**  
 SD4 NTS

**IRRIGATION CONTROLLER DETAIL**  
 SD4 NTS

**BACK FLOW PREVENTED**  
 SD4 NTS

**WATER METER**  
 SD4 NTS

**SHRUB PLANTING**  
 SD4 NTS

**SLOPE BENCHING**  
 SD4 NTS