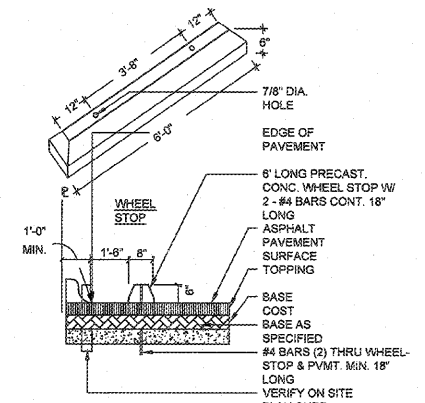
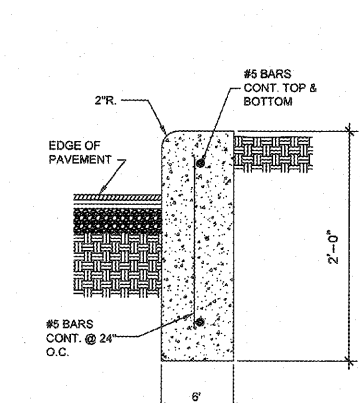


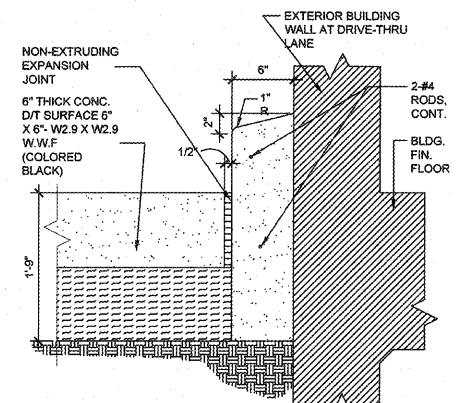
A BOLLARD DETAIL
SD3 NTS



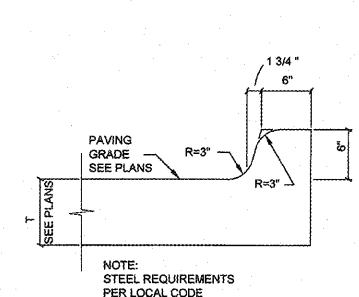
B WHEEL STOP
SD3 NTS



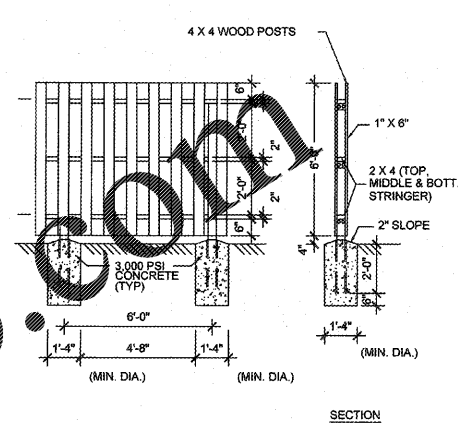
C HEADER DETAIL
SD3 NTS



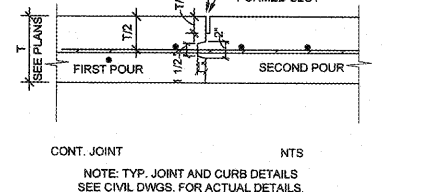
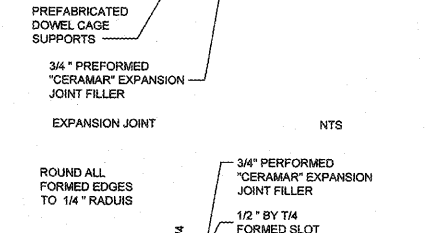
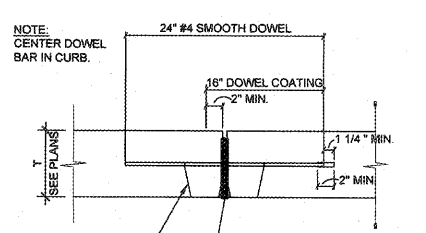
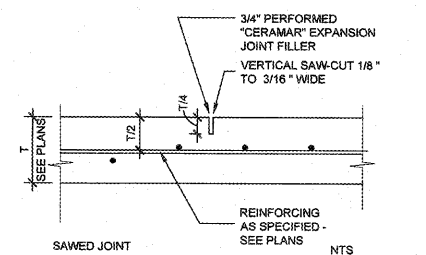
D 6\"/>



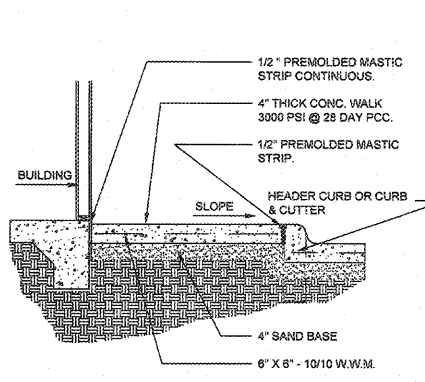
E EXTRUDED CURB & GUTTER
SD3 NTS



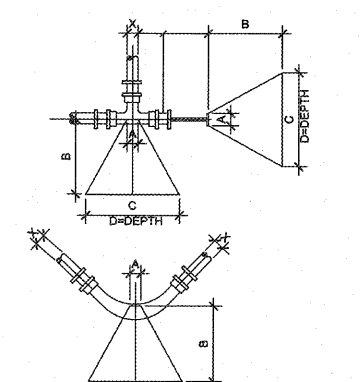
R SHADOW BOX WOOD FENCE
SD3 NTS



F TYPICAL JOINT DETAILS
SD3 NTS



G SIDEWALK DETAIL
SD3 NTS



H THRUST BLOCKS
SD3 NTS

NOTE: CONCRETE TO HAVE A MIN. 28 DAY STRENGTH OF 3000 PSI

BLOCKING DIMENSIONS		X	A	B	C	D
DEAD END AND TEES	8"	10"	2'-3"	3'-3"	2'-0"	
	12"	12"	3'-0"	4'-6"	3'-0"	
BENDS	8"	10"	2'-9"	4'-0"	2'-3"	
	12"	12"	2'-9"	6'-0"	3'-3"	
90°	8"	10"	1'-6"	2'-6"	1'-0"	
	12"	12"	1'-9"	3'-0"	1'-9"	
11/4" / 2 1/2"	8"	10"	0'-6"	1'-4"	1'-0"	
	12"	12"	0'-6"	1'-9"	1'-0"	

X= DIAMETER OF PIPE TO BE BLOCKED. NOTE: BLOCKING SHALL BE CONSTRUCTED AS PER AWWA 100600, SECTION 2.3, OR LATEST REVISION

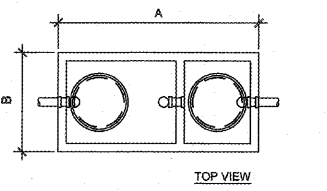
KEY TO TYPICAL PAVEMENT SECTIONS

- 1 2" ASPHALTIC CONCRETE.
- 2 BITUMINOUS PRIME COAT AND TOPPING.
- 3 6" BASE COURSE, REFER TO GEOTECHNICAL REPORT.
- 4 CONCRETE SIDEWALK.

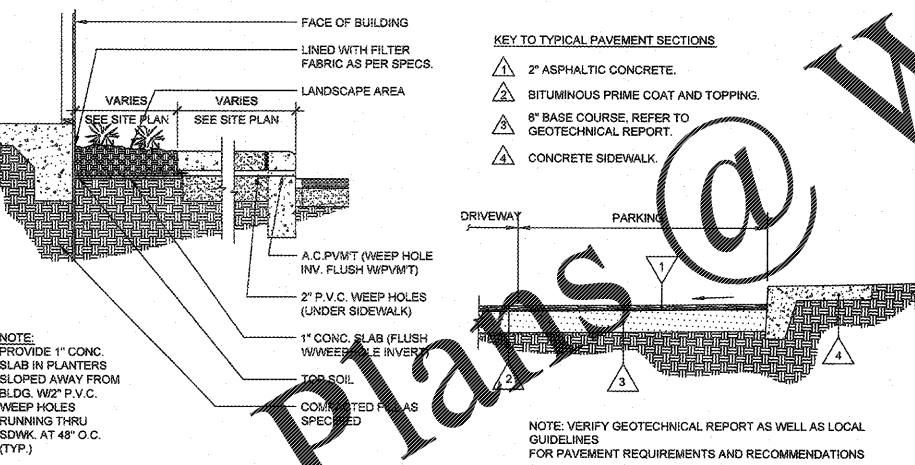
GREASE TRAP SIZE TABLE

G.T. SIZE	DIM "A"	DIM "B"
1000 GALLON	8'-2"	5'-1"
1200 GALLON	8'-6"	5'-9"

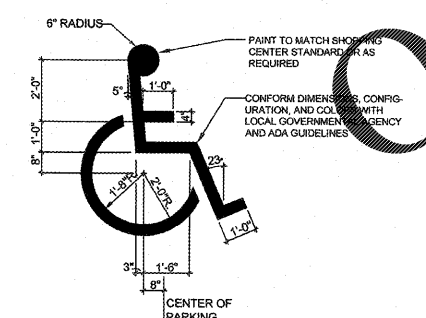
VERIFY PER LOCAL CODE



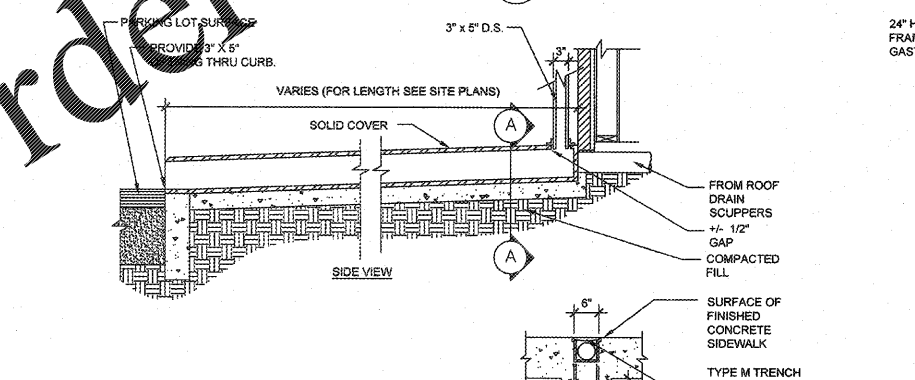
M TYP. ASPHALT PAVEMENT DETAIL
SD3 NTS



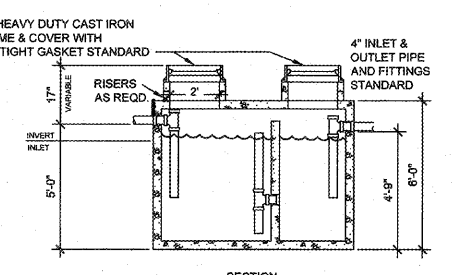
L PLANTER SIDE WALK
SD3 NTS



N HANDICAP SYMBOL
SD3 NTS



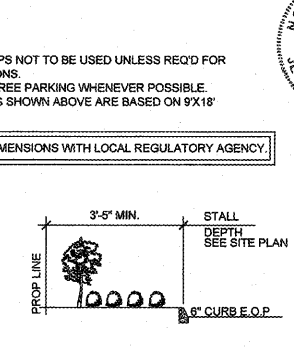
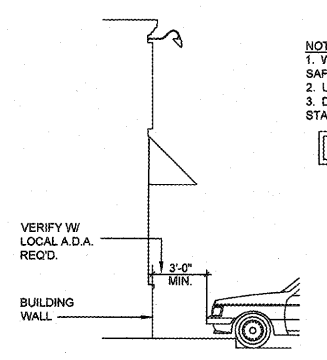
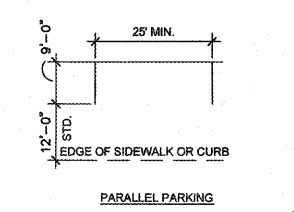
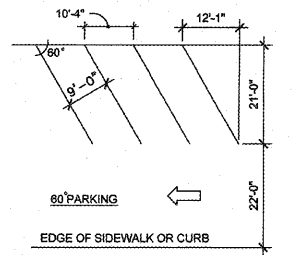
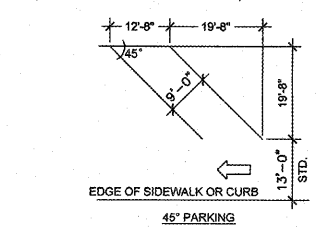
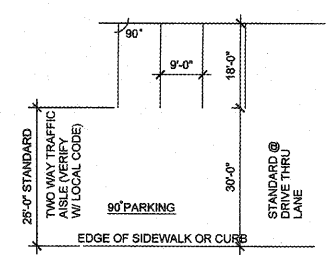
O ROOF DRAIN FLUME
SD3 NTS



P EXTERIOR GREASE TRAP
SD3 NTS

DETAIL NOTES:

- CONTRACTOR SHALL REVIEW ALL DETAILS PRIOR TO ANY CONSTRUCTION AND REPORT ANY DISCREPANCIES TO THE OWNER AND ENGINEER IMMEDIATELY.
- ALL DETAILS ON SHEETS SD-1 THROUGH SD-3 SHALL BE COORDINATED WITH THE OWNER AND COVERED BY JURISDICTION PRIOR TO ANY CONSTRUCTION.
- THE CONTRACTOR IS RESPONSIBLE FOR ENSURING ALL STANDARD AND DETAILS SHOWN IN THESE PLANS MEET ALL APPLICABLE LOCAL AND STATE DETAILS, STANDARDS AND SPECIFICATIONS SHALL ALWAYS TAKE PRECEDENCE.

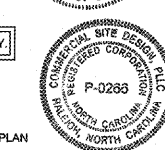


Q PARKING STALL STANDARDS
SD3 NTS

THESE DOCUMENTS ARE NOT FOR PERMIT OR CONSTRUCTION. THEY MUST BE COMPLETED AND/OR MODIFIED BY A LICENSED ARCHITECT AND ENGINEER TO CONFORM TO ALL LOCAL AND APPLICABLE CODES AND SPECIFIC SITE CONDITIONS. THERE IS NO WARRANTY, WHETHER IMPLIED OR EXPRESSED THAT THESE DOCUMENTS MEET THE APPLICABLE CODE REQUIREMENTS. LIABILITY FOR THE DESIGN AND ANY USE OF THE DOCUMENTS IS THE SOLE RESPONSIBILITY OF THE ARCHITECT AND ENGINEER OF RECORD.

POPEYES
LK 1260-DL-PLUS PROTOTYPE
E.I.F.S. / SIMULATED STONE
LOUISIANA KITCHEN LK-PLUS DESIGN STANDARDS
90 SEATS / DUAL-LINE PRODUCTION

REVISIONS:



DATE: 03/29/13

SD3

CHECKED: KR