

UTILITY NOTES: GENERAL

- ALL UTILITY CONSTRUCTION SHALL CONFORM TO THE LOCAL UTILITIES DEPARTMENT STANDARDS AND SPECIFICATION, AND WILL BE SUBJECT TO THEIR INSPECTION AND ACCEPTANCE.
- THE LOCATION OF EXISTING UTILITIES SUCH AS WATER MAINS, SEWERS, GAS LINES, ETC., AS SHOWN ON THE PLANS HAVE BEEN DETERMINED FROM THE BEST AVAILABLE INFORMATION AND IS GIVEN FOR THE CONVENIENCE OF THE CONTRACTOR ASSUME RESPONSIBILITY FOR THE ACCURACY OF THE LOCATED IN THE FIELD PRIOR TO START OF CONSTRUCTION.
- THE CONTRACTOR SHALL IMMEDIATELY NOTIFY THE ENGINEERS OF ANY DISCREPANCIES FOUND BETWEEN THE PLANS AND FIELD CONDITIONS PRIOR TO START OF CONSTRUCTION.
- THE CONTRACTOR SHALL COORDINATE ALL WORK WITH THE EXISTING UTILITY EASEMENT.
- CONTRACTOR SHALL INSPECT PIPING AND MATERIALS BEFORE INSTALLATION TO DETECT APPARENT DEFECTS.
- LAY SEWER PIPING BEGINNING AT LOW POINT OF SYSTEM (CONNECTION TO OFF SITE SYSTEM OR PUMP STATION TRUE TO GRADES AND ALIGNMENT INDICATED WITH UNBROKEN CONTINUITY OF INVERTS. PLACE BELL ENDS OR GROOVE ENDS OF PIPING FACING UPSTREAM.
- CLEAR INTERIOR OF PIPE OF DIRT AND OTHER SUPERFLUOUS MATERIAL AS WORK PROGRESSES. MAINTAIN SWAB OR DRAG IN LINE AND PULL PAST EACH JOINT AS IT IS COMPLETED. PLACE PLUGS IN ENDS OF UNCOMPLETED CONDUIT WHENEVER WORK STOPS.
- MAINTAIN MINIMUM COVER AND SPACING PER LOCAL CODES.
- INSTALL CONTINUOUS LOCATOR TAPE/PAIR. LOCATED DIRECTLY OVER POTABLE WATER PIPING AT 6" TO 8" BELOW FINISHED GRADE.
- WHEN WATER AND SEWER LINES CROSS WITH LESS THAN 18" OF VERTICAL SEPARATION, THE P.V.C. PIPE SHALL BE ENCASED IN CONCRETE OR REPLACED WITH DUCTILE IRON PIPE FOR A DISTANCE OF 10' EITHER SIDE OF THE CROSSING. A LATERAL SEPARATION OF AT LEAST 10" SHALL BE MAINTAINED BETWEEN WATER AND SEWER SHALL BE ENCASED IN CONCRETE OR CONSTRUCTED OF DUCTILE IRON PIPE WITH PRESSURE TIGHT JOINTS.
- WHERE APPLICABLE, UTILITY TRENCHES CROSSING PAVEMENT AREAS SHALL BE BACK FILLED W/ COMPACTED GRANULAR MATERIAL IN ACCORDANCE WITH A.A.S.H.T.O.-T-99
- CONTRACTOR SHALL PROVIDE SLEEVES FOR IRRIGATION AND ELECTRIC WIRING FOR SITE LIGHTS LINES UNDER PAVEMENT. SEE IRRIGATION AND UTILITY PLAN. INDICATED WITH UNBROKEN CONTINUITY OF INVERTS. PLACE BELL ENDS OR GROOVE ENDS OF PIPING FACING UPSTREAM.
- 45 TO 85 LB. WATER PRESSURE OVER 65 (REG.) BOOSTER PUMP UNDER 45.

UTILITY TESTING AND DISINFECTING NOTES

HYDROSTATIC PRESSURE AND LEAKAGE TESTS SHALL BE CONDUCTED ON ALL NEWLY INSTALLED WATER DISTRIBUTION SYSTEM PRESSURE PIPES AND APPURTENANCES. THE TESTS SHALL BE IN ACCORDANCE WITH THE PROVISIONS OF AWWA C600 OR M23 AS APPLICABLE.

DISINFECTING OF THE WATER DISTRIBUTION SYSTEM SHALL BE PERFORMED IN ACCORDANCE WITH AWWA C651 DISINFECTING WATER MAINS.

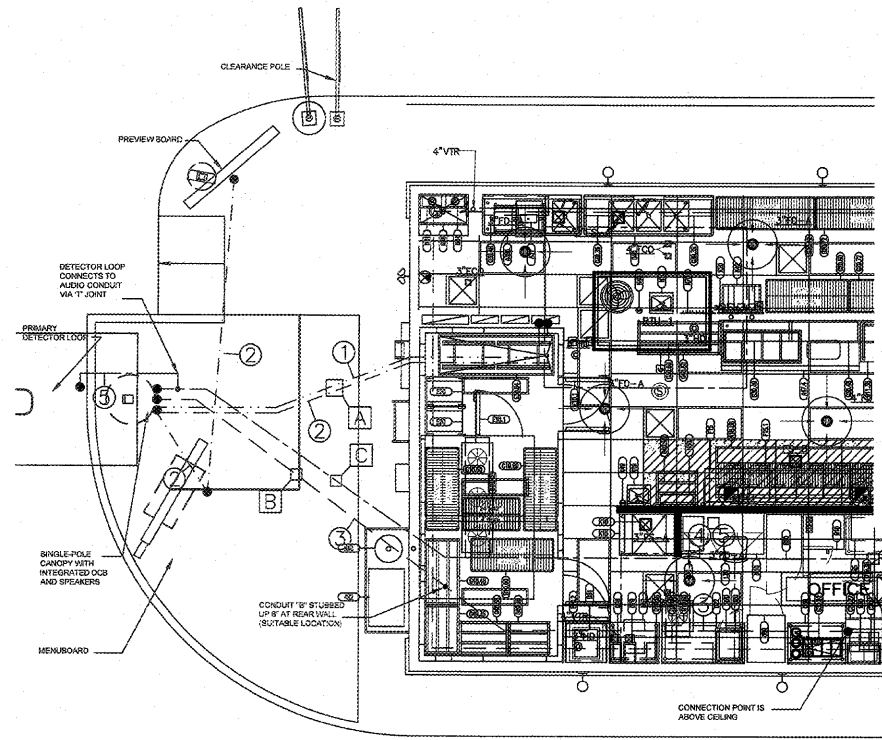
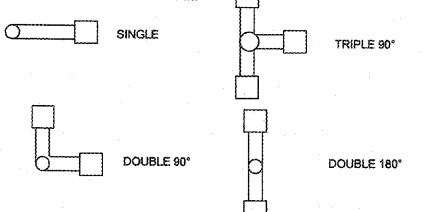
THE CONTRACTOR SHALL MAKE PROVISIONS TO PROTECT THE ACTIVE EXISTING MAIN FROM BACKFLOW CONTAMINATION DURING FILLING, FLUSHING, AND TESTING OF THE NEW MAIN, AS SPECIFIED IN AWWA C651-92.

SITE LIGHTING SPECIFICATIONS

- A. LAMP**
- 1000W METAL HALIDE
- B. LUMINARIES**
- ONE PIECE NON-CORROSIVE METAL WITH BAKED-ON POWER COATING
 - COLOR: BRONZE TONE
 - LUMINARIES SHALL HAVE OPTIONAL BACK LIGHT SHIELDS PROVIDED TO CONTROL LIGHT SPOILAGE BEYOND PROPERTY LINES.
- C. POLES**
- MIN. 24" POLES WITH 1000 WATT LUMINARIES
 - 21" DIA. ROUND OR SQUARE BASE FOR STANDARD MOUNTING HEIGHT.
 - POLE, FIXTURE AND BASE AS AN ASSEMBLY SHALL MEET WIND LOADING REQUIREMENTS OF ALL LOCAL CODES AND ORDINANCES.
 - ALL MOUNTING HARDWARE AND BASE PLATE COVER TO BE SUPPLIED BY MANUFACTURER.
- D. ILLUMINATION LEVELS**
- BALANCE OF SITE: 5 FOOT-CANDLE AVG. MAINTAINED
 - SIDEWALKS: 8 FOOT-CANDLE AVG. MAINTAINED
 - ENTRANCES/EXITS: 8 FOOT-CANDLES AVG.
 - D/T MENU BOARD: 8 FOOT-CANDLES AVG.
 - TRASH ENCLOSURE: 8 FOOT-CANDLES AVG.
 - PERIMETER OF SITE: 2 FOOT-CANDLES AVG.
- DESIGNED UTILIZING A LIGHT LOSS FACTOR OF 72
 - LIGHTING FIXTURE MANUFACTURER TO PROVIDE COMPUTER DESIGNED LAYOUTS.
- E. ELECTRICAL REQUIREMENTS**
- MULTI-TAP LOW 208V LOW TEMPERATURE START BALLAST.
 - POLE GROUND.

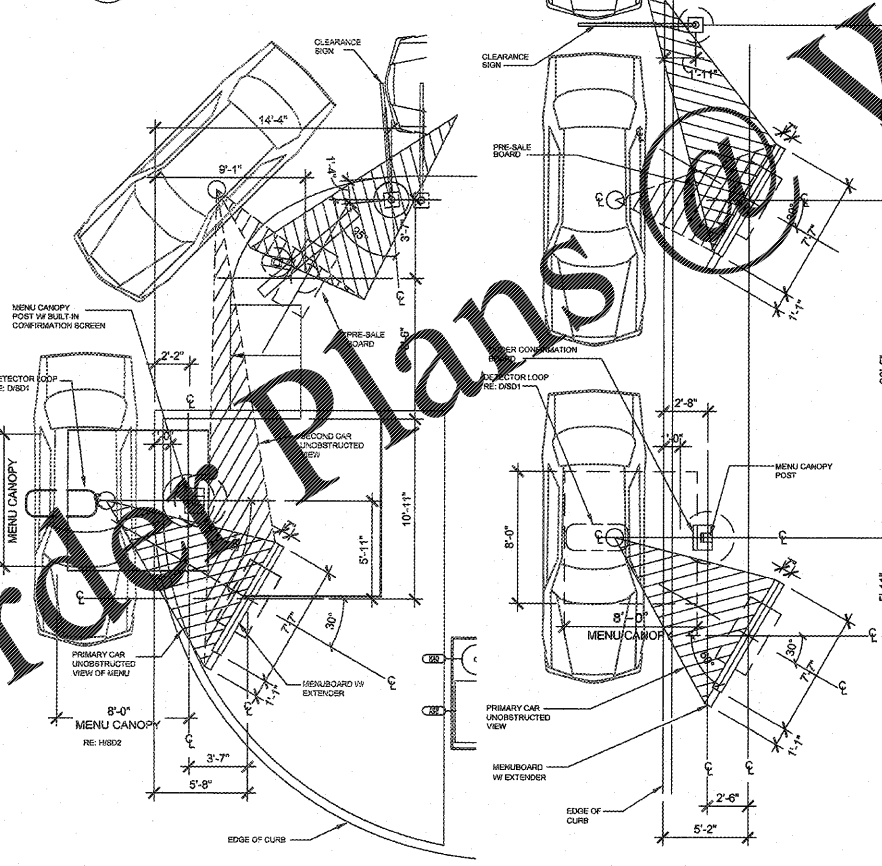
- PROVIDE A 5/8" X 8'-0" LONG COPPER CLAD DRIVEN GROUND ROD WITH WIRE CLAMP ON BUILDING SIDE OF EACH POLE BASE.
- CAST A SINGLE #8 COPPER GROUND CONDUCTOR IN CONCRETE BASE. PROVIDE 5' OF SLACK AT EACH END.
- THE LUMINARIES GROUND AND POLE GROUND CONDUCTORS TO POLE GROUND LUG AND POLE CONDUCTOR TO DRIVEN GROUND ROD.

HEAD SPECIFICATIONS



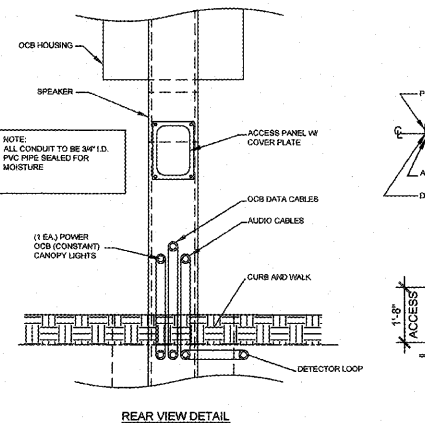
CONNECTION	CONDUIT
1 DEDICATED 120V SINGLE PHASE CONDUIT POWER TO OCB	A 3/4" - ALL POWER
2 120V SINGLE PHASE POWER FOR CANOPY LIGHTS, MENUBOARD AND PREVIEW BOARD	B 3/4" - DATA ONLY
3 OCB DATA AND SPEAKER CABLES CONNECT TO POS RACK IN OFFICE (PULL WITHOUT CONNECTORS)	C 3/4" - AUDIO + LOOP
4 AUDIO CABLES FOR SPEAKERS CONNECT TO MAIN UNIT AT THE DRIVE-THRU WINDOW	D 3/4" - LOOP ONLY
5 PRIMARY DETECTOR LOOP WIRE CONNECTS TO AUDIO CONDUIT VIA T-JOINT OUTSIDE OF THE POST	
6 SECONDARY DETECTOR LOOP CONNECTS TO POS THROUGH TRING SYSTEM	

DRIVE-THRU CONNECTIONS

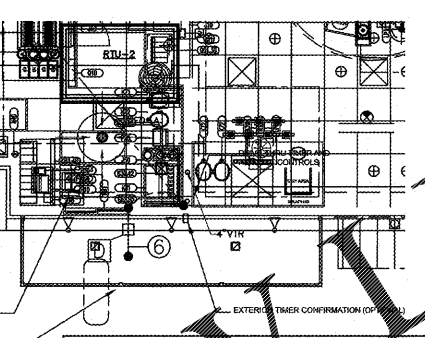


F MENUBOARD/PRESALE
SD2 1/80

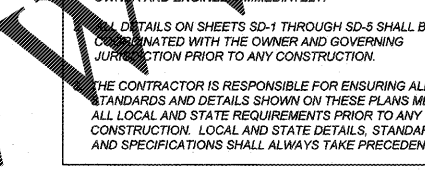
G ALT MENUBOARD/PRESALE
SD2 1/80



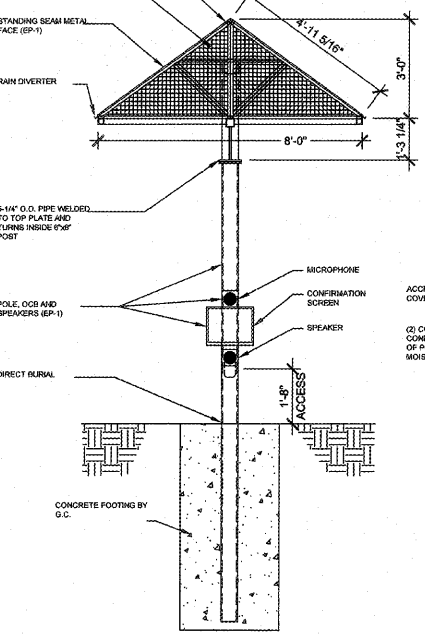
B LOOP & POST CONDUITS
SD2 NTS



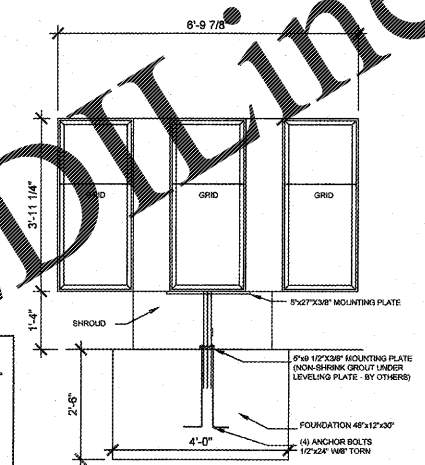
D PREVIEW BOARD
SD2 1/2"=1'-0"



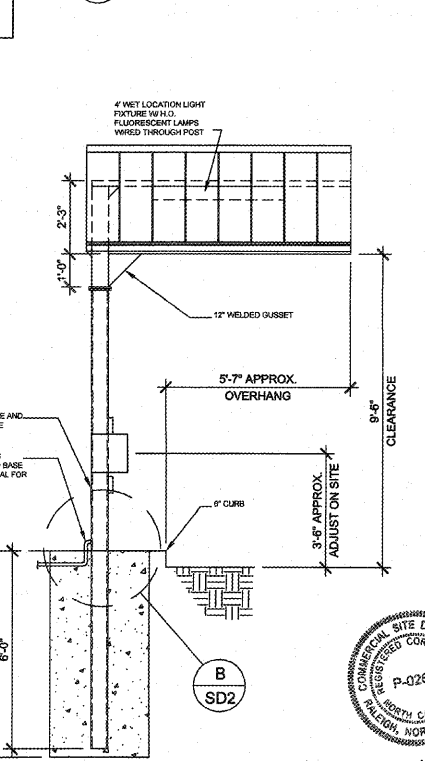
D CLEARANCE SIGN
SD2 NTS



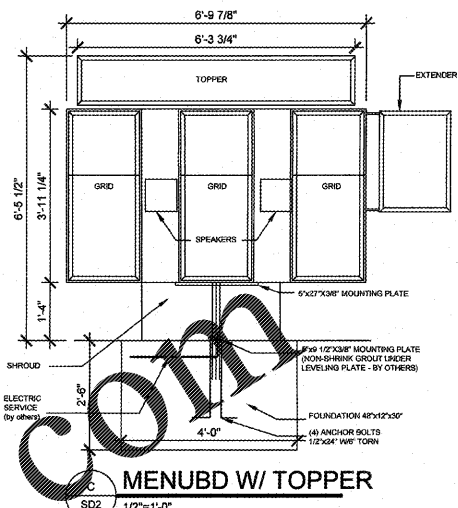
I TYPICAL PYLON SIGN
SD2 NTS



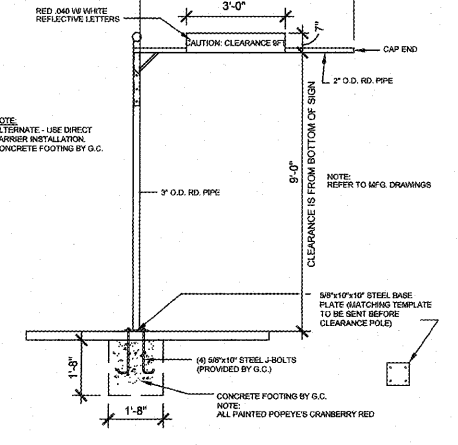
D PREVIEW BOARD
SD2 1/2"=1'-0"



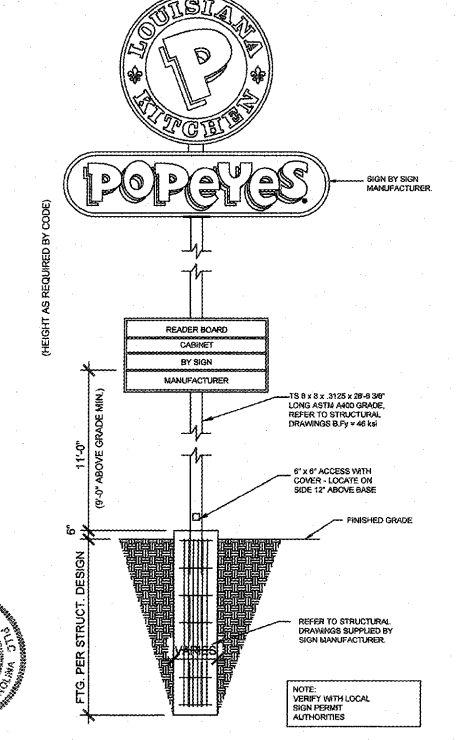
G DRIVE THRU CANOPY W/ SPEAKER/CONF. BD
SD2 3/8"=1'-0"



C MENUBOARD W/ TOPPER
SD2 1/2"=1'-0"



D CLEARANCE SIGN
SD2 NTS



I TYPICAL PYLON SIGN
SD2 NTS

DETAIL NOTES:

- CONTRACTOR SHALL REVIEW ALL DETAILS PRIOR TO ANY CONSTRUCTION AND REPORT ANY DISCREPANCIES TO THE OWNER AND ENGINEER IMMEDIATELY.

THE CONTRACTOR IS RESPONSIBLE FOR ENSURING ALL STANDARDS AND DETAILS SHOWN ON THESE PLANS MEET ALL LOCAL AND STATE REQUIREMENTS PRIOR TO ANY CONSTRUCTION. LOCAL AND STATE DETAILS, STANDARDS AND SPECIFICATIONS SHALL ALWAYS TAKE PRECEDENCE.

Order Plans @ www.dl-line.com



POPEYES
60 SEATS / DUAL-LINE PRODUCTION

THESE DOCUMENTS ARE NOT FOR PERMIT OR CONSTRUCTION. THEY MUST BE COMPLETED AND CONFORMED BY A LICENSED ARCHITECT AND ENGINEER TO CONFORM TO ALL LOCAL AND APPLICABLE CODES AND SPECIFIC SITE CONDITIONS. THERE IS NO WARRANTY, WHETHER IMPLIED OR EXPRESSED, THAT THESE DOCUMENTS MEET THE APPLICABLE CODE REQUIREMENTS. LIABILITY FOR THE DESIGN AND ANY USE OF THE DOCUMENTS IS THE SOLE RESPONSIBILITY OF THE ARCHITECT AND ENGINEER OF RECORD.

POPEYES
LK 1260-DL-PLUS PROTOTYPE
E.I.F.S. / SIMULATED STONE
LOUISIANA KITCHEN LK-PLUS DESIGN STANDARDS
60 SEATS / DUAL-LINE PRODUCTION



REVISIONS:

DATE: 03/29/13

SD2

CHECKED: KR