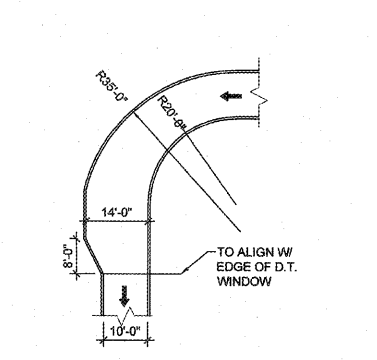


THESE DOCUMENTS ARE NOT FOR PERMIT OR CONSTRUCTION.
 THEY MUST BE COMPLETED AND MODIFIED BY A LICENSED
 ARCHITECT AND ENGINEER TO CONFORM TO ALL LOCAL AND
 APPLICABLE CODES AND SPECIFIC SITE CONDITIONS. THERE IS NO
 WARRANTY, WHETHER IMPLIED OR EXPRESSED, THAT THESE
 DOCUMENTS MEET THE APPLICABLE CODE REQUIREMENTS. LIABILITY
 FOR THE DESIGN AND ANY USE OF THE DOCUMENTS IS THE SOLE
 RESPONSIBILITY OF THE ARCHITECT AND ENGINEER OF RECORD.

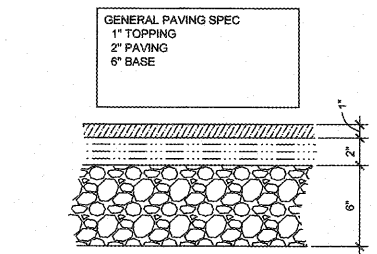
POPEYES
LK 1260-DL-PLUS PROTOTYPE
E.I.F.S. / SIMULATED STONE
 LOUISIANA KITCHEN LK-PLUS DESIGN STANDARDS
 60 SEATS / DUAL-LINE PRODUCTION



REVISIONS:
 DATE: 04/04/14
SD1
 CHECKED: KR



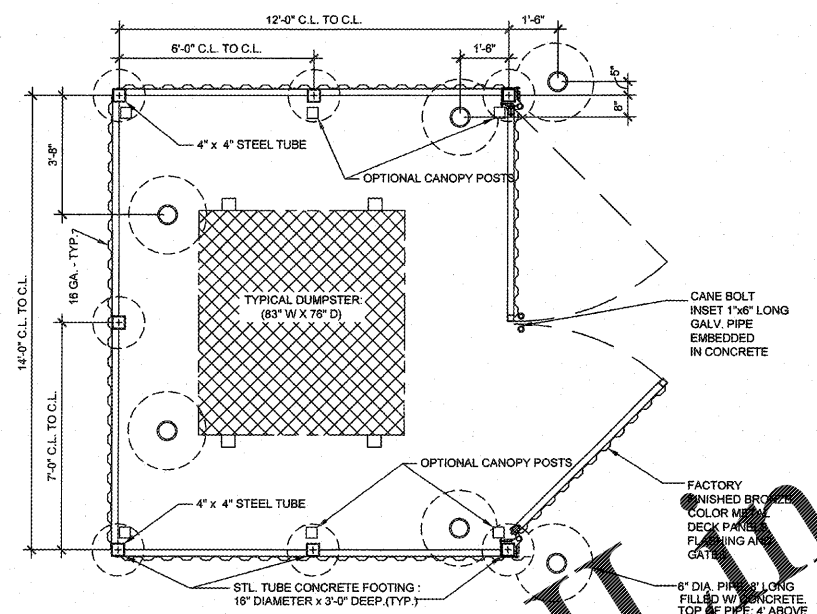
B DT W/OUT BYPASS LANE
 SD1 1:240



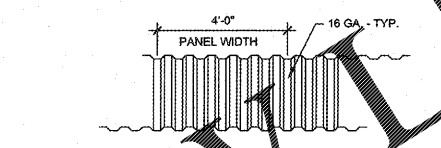
C TYPICAL ASPHALT PAVING
 SD1 NTS

DETAIL NOTES:

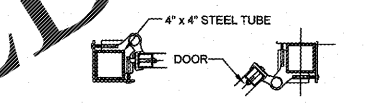
- CONTRACTOR SHALL REVIEW ALL DETAILS PRIOR TO ANY CONSTRUCTION AND REPORT ANY DISCREPANCIES TO THE OWNER AND ENGINEER IMMEDIATELY.
- ALL DETAILS ON SHEETS SD-1 THROUGH SD-5 SHALL BE COORDINATED WITH THE OWNER AND GOVERNING JURISDICTION PRIOR TO ANY CONSTRUCTION.
- THE CONTRACTOR IS RESPONSIBLE FOR ENSURING ALL STANDARDS AND DETAILS SHOWN ON THESE PLANS MEET ALL LOCAL AND STATE REQUIREMENTS PRIOR TO ANY CONSTRUCTION. LOCAL AND STATE DETAILS, STANDARDS AND SPECIFICATIONS SHALL ALWAYS TAKE PRECEDENCE.



1 DUMPSTER ENCLOSURE
 SD1 3/8" = 1'-0"

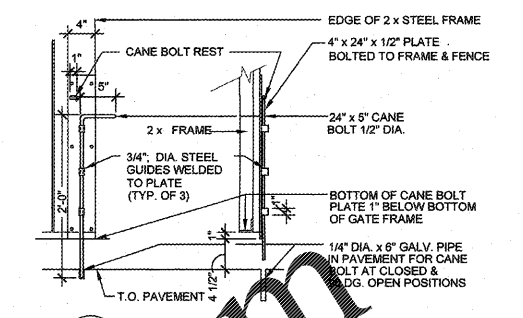


2 RIB STANDARD SOING
 SD1 NTS

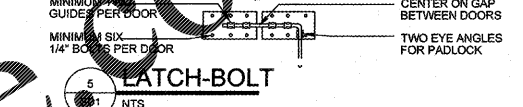


3 HINGE DETAIL
 SD1 NTS

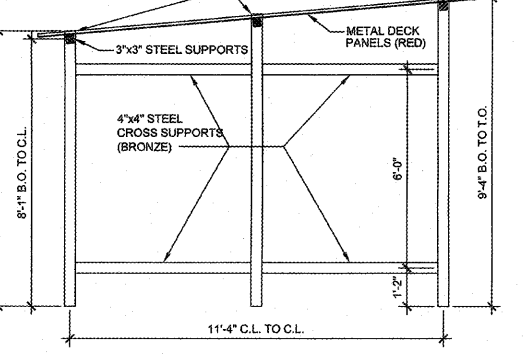
D OPTIONAL DUMPSTER ENCLOSURE
 SD1 NTS



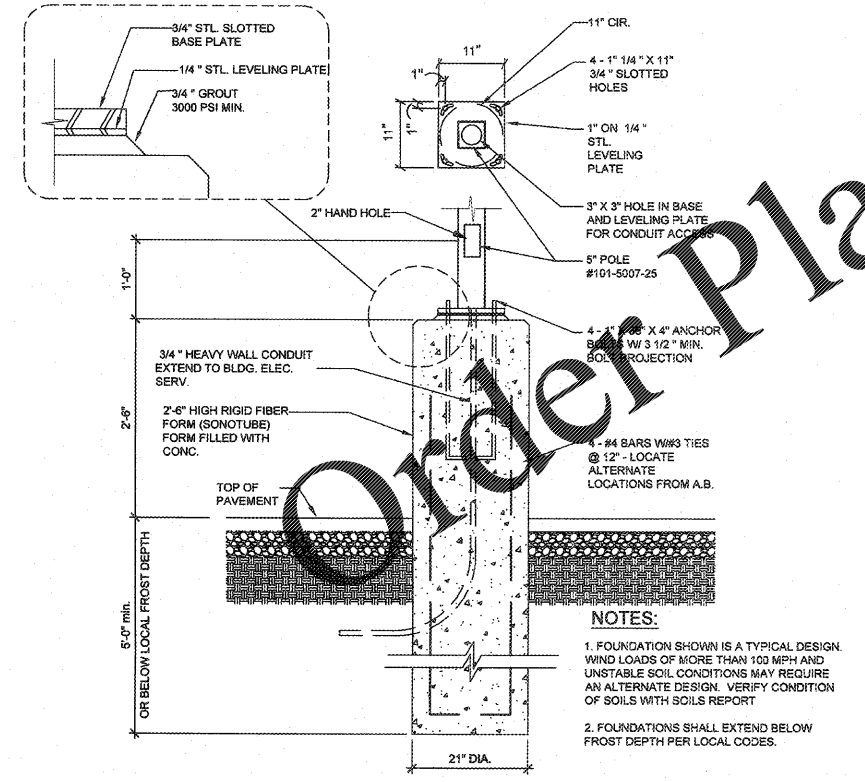
4 CANEBOLT DETAIL
 SD1 NTS



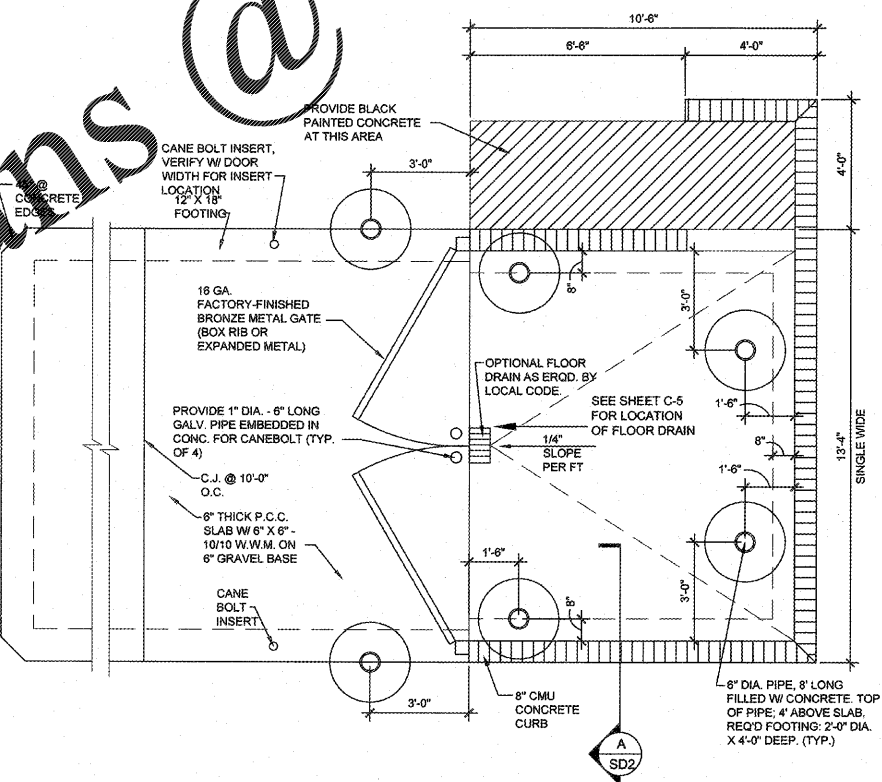
5 LATCH-BOLT
 SD1 NTS



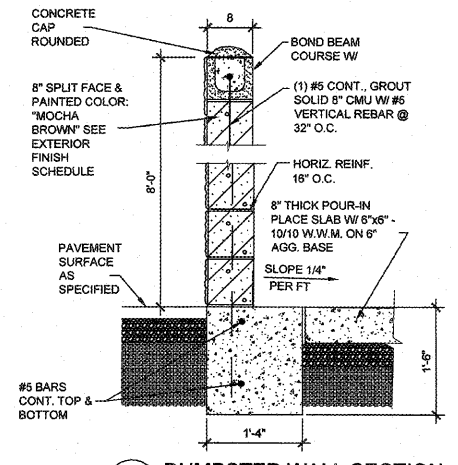
6 OPTIONAL CANOPY
 SD1 3/8" = 1'-0"



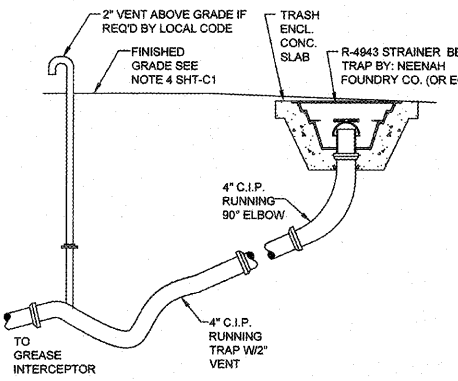
E LIGHT STANDARD DETAIL
 SD1 NTS



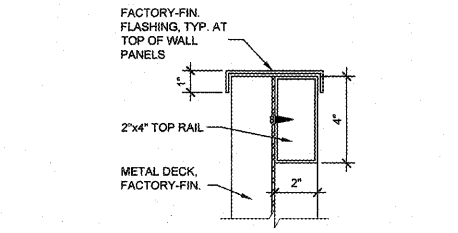
F STANDARD DUMPSTER ENCLOSURE
 SD1 3/8" = 1'-0"



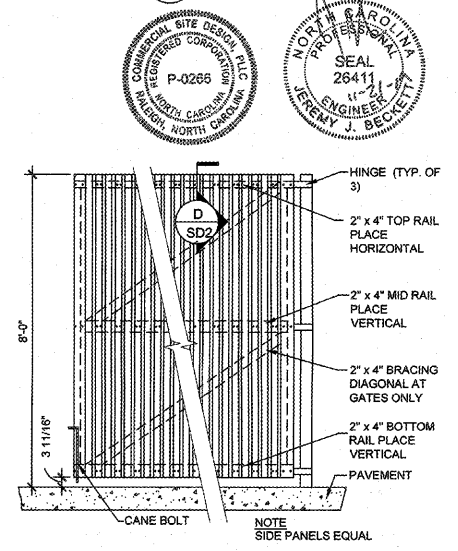
G DUMPSTER WALL SECTION
 SD1 NTS



I OPTION TRASH ENCLOSURE DRAIN
 SD1 NTS IF REQ'D BY LOCAL CODE - G.C. TO VERIFY



H FLASHING DETAIL
 SD1 NTS



J DUMPSTER ENCLOSURE & GATE ELEV.
 SD1 NTS