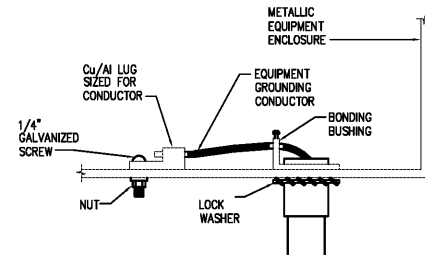
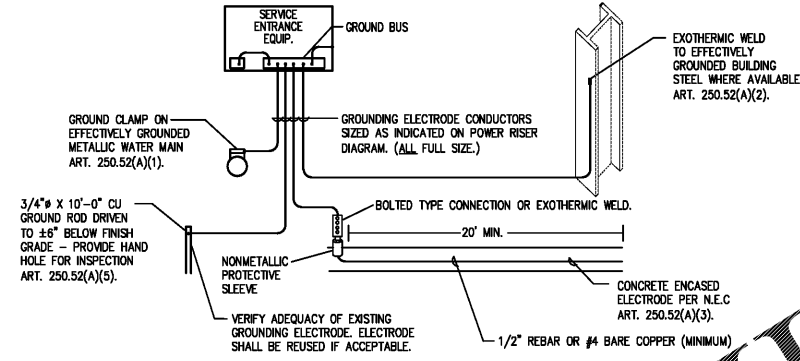


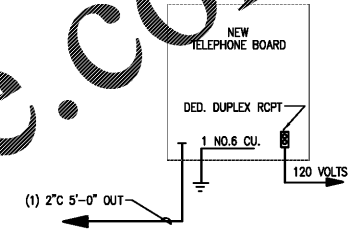
SUPPLIERS, OR VENDORS, ANY SHEET NUMBERING SYSTEM USED WHICH IDENTIFIES DISCIPLINES IS SOLELY TO SEPARATE ARCHITECT'S AND ENGINEER'S SCOPE. IT DOES NOT DEFINE A SUBCONTRACTOR'S SCOPE OF WORK. ANY DISCREPANCIES BETWEEN DRAWINGS, SPECIFICATIONS, CODES OR CONSTRUCTION SEQUENCING SHALL BE BROUGHT TO THE ATTENTION OF THE ARCHITECT PRIOR TO PROCEEDING. NO CONSIDERATION WILL BE GIVEN TO REQUESTS FOR CHANGE ORDERS FOR FAILURE TO OBTAIN AND REVIEW THE COMPLETE SET OF CONSTRUCTION DOCUMENTS, OR FOR FAILURE TO SEEK INTERPRETATION FROM ARCHITECT FOR DISCREPANCIES.



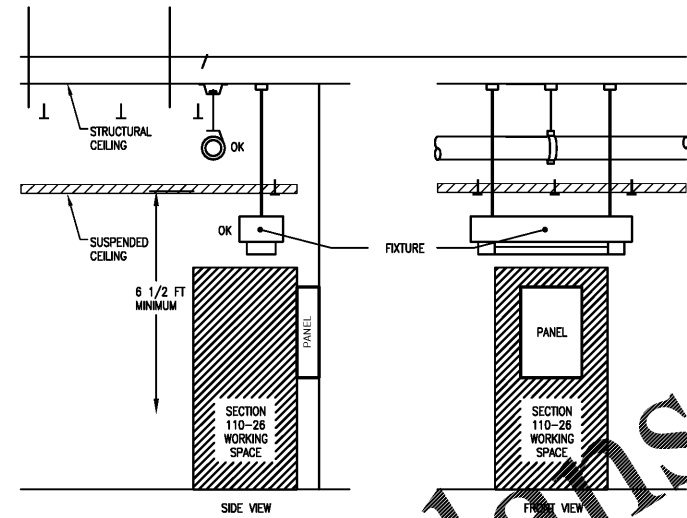
**1 TYPICAL EQUIPMENT GROUNDING**  
E3.0 NO SCALE



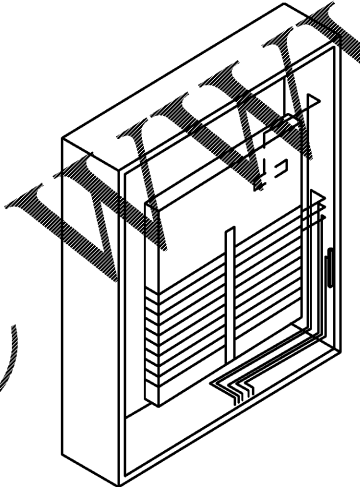
**2 SERVICE GROUNDING DETAIL**  
E3.0 N.T.S.  
GROUNDING ELECTRODES SHALL BE PROVIDED IN ACCORDANCE WITH NEC 250.52(C).



**3 TELEPHONE RISER DIAGRAM**  
E3.0 NONE  
NOTE:  
EC SHALL COORDINATE WITH LOCAL TELEPHONE COMPANY TO BRING NEW TELEPHONE SERVICE TO SITE.



**4 WORKING CLEARANCE FOR ELECTRICAL EQUIPMENT**  
E3.0 N.E.C. ARTICLE 110-26



**5 TYPICAL PANELBOARD WORKMANSHIP**  
E3.0 N.E.C. ARTICLE 110-26

Order Plans

@

WWW.LDILine.com



421 Penman Street, Suite 200, Charlotte, NC 28203  
Email: esd@esdarch.com • Phone: 704-373-1900



6/5/2020

STRICKLAND BROTHERS  
10 MINUTE OIL CHANGE  
810 SOUTH MAIN STREET  
GRAHAM, NC



ELECTRICAL  
DETAILS

ISSUE DATE: 6/5/20  
REVISION 1: \_\_\_\_\_  
REVISION 2: \_\_\_\_\_  
REVISION 3: \_\_\_\_\_  
REVISION 4: \_\_\_\_\_  
PROJECT #: 20-127  
CONTENT: \_\_\_\_\_  
PROJECT ARCHITECT: ECE  
DRAWN BY: VW  
CADD FILE NAME: 20-127



1401 CENTRAL AVE., SUITE 200-J CHARLOTTE, NC 28205  
704.266.0942  
CERTIFICATE NO. P1340

THIS DRAWING AND THE DESIGN SHOWN ARE THE PROPERTY OF SAFF'S EXPRESS CAR WASH, LLC. THE REPRODUCTION OR USE OF THIS DRAWING WITHOUT THEIR WRITTEN CONSENT IS PROHIBITED. ANY INFRACTION IS SUBJECT TO LEGAL ACTION.  
Sheet

E3.0

Z:\Users\Ryan\AppData\local\temp\AcPublish\_4948\Electrical.dwg, Plotted By: Ryan, Plotted: Jun 09, 2020 - 8:36am