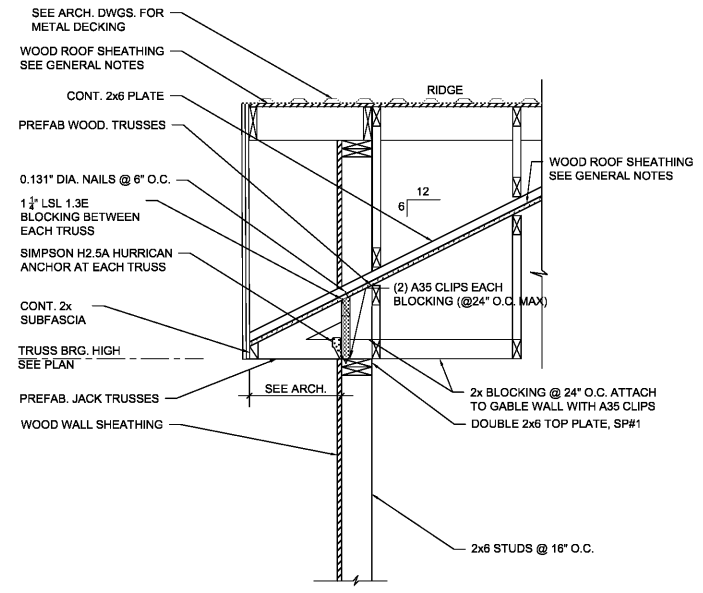
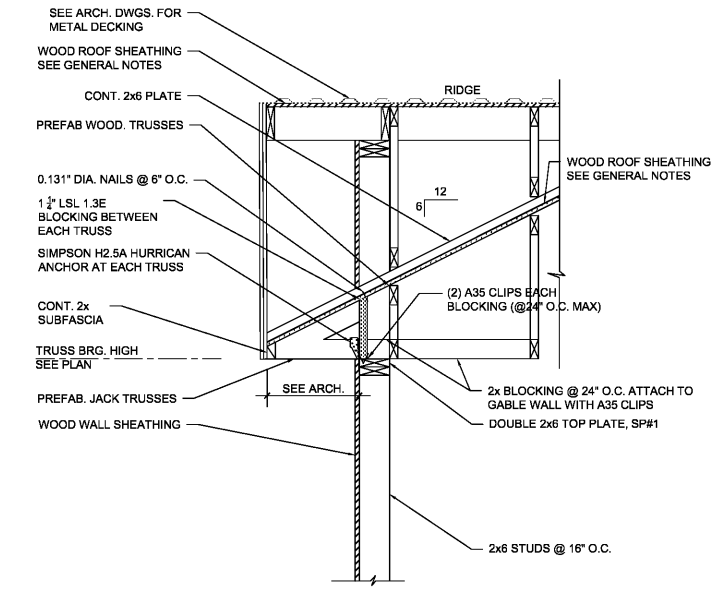


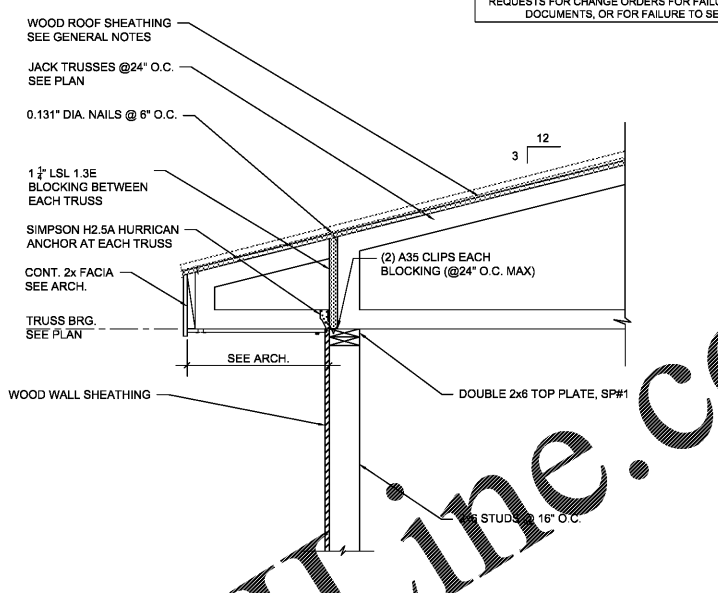
THE ARCHITECT/ENGINEER DOES NOT DEFINE THE SCOPE OF INDIVIDUAL TRADES, SUBCONTRACTORS, MATERIAL SUPPLIERS, OR VENDORS. ANY SHEET NUMBERING SYSTEM USED WHICH IDENTIFIES DISCIPLINES IS SOLELY TO SEPARATE ARCHITECTS AND ENGINEERS' SCOPE. IT DOES NOT DEFINE A SUBCONTRACTOR'S SCOPE OF WORK. ANY DISCREPANCIES BETWEEN DRAWINGS, SPECIFICATIONS, CODES OR CONSTRUCTION SEQUENCING SHALL BE BROUGHT TO THE ATTENTION OF THE ARCHITECT PRIOR TO PROCEEDING. NO CONSIDERATION WILL BE GIVEN TO REQUESTS FOR CHANGE ORDERS FOR FAILURE TO OBTAIN AND REVIEW THE COMPLETE SET OF CONSTRUCTION DOCUMENTS, OR FOR FAILURE TO SEEK INTERPRETATION FROM ARCHITECT FOR DISCREPANCIES.



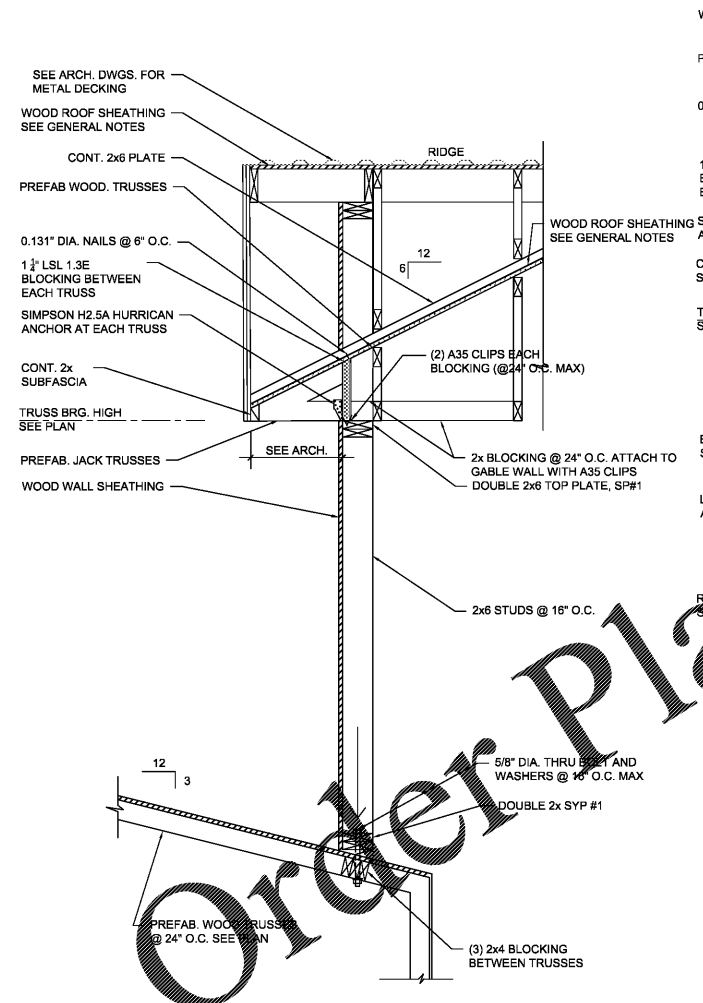
1 SECTION AT TOWER
S-4.4 SCALE: 3/4"=1'-0"



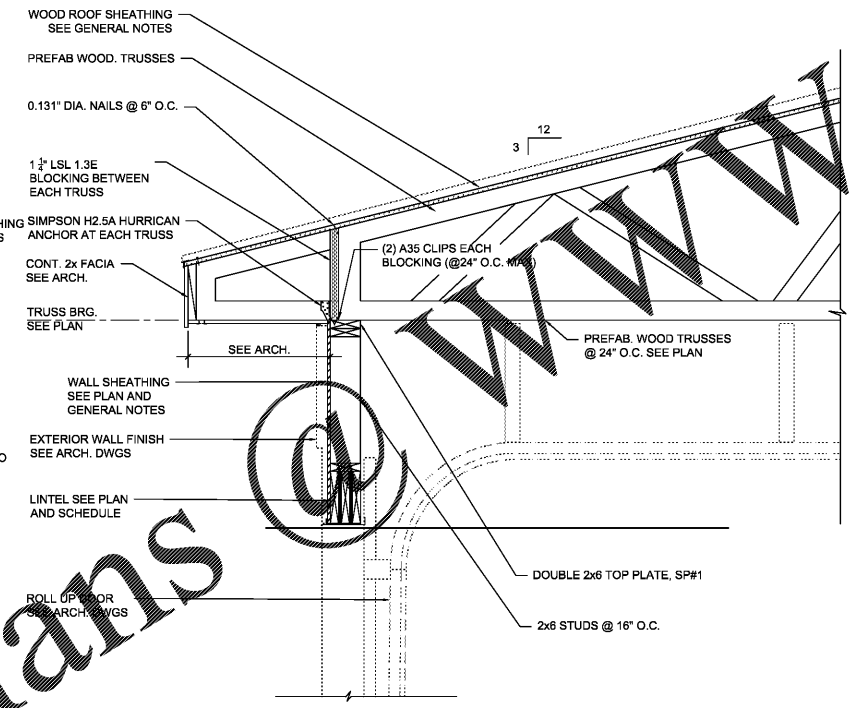
2 SECTION AT TOWER
S-4.4 SCALE: 3/4"=1'-0"



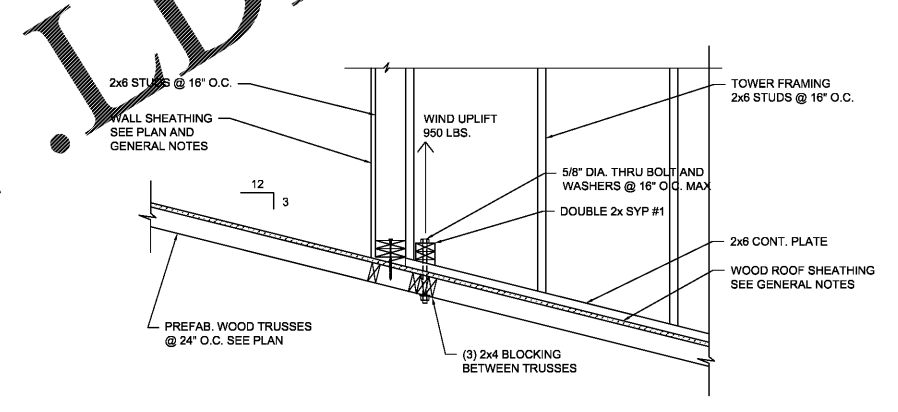
3 SECTION AT LOW ROOF
S-4.4 SCALE: 3/4"=1'-0"



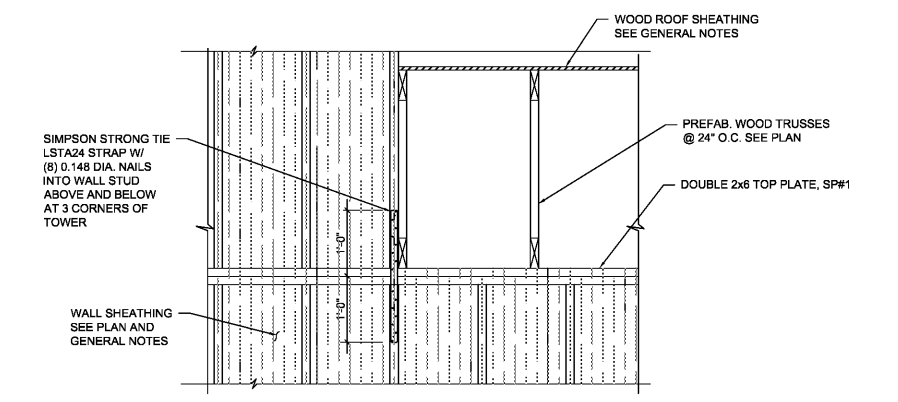
4 SECTION AT TOWER
S-4.4 SCALE: 3/4"=1'-0"



5 SECTION AT ROLL UP DOORS
S-4.4 SCALE: 3/4"=1'-0"



6 SECTION AT TOWER
S-4.4 SCALE: 3/4"=1'-0"



7 SECTION AT TOWER
S-4.4 SCALE: 3/4"=1'-0"

ED
ARCHITECTS & ENGINEERS
401 Pioneer Street, Suite 200, Charlotte, NC 28203
Phone: 704.375.1234
www.edarchitects.com

NORTH CAROLINA
REGISTERED PROFESSIONAL
SEAL
18427
ENGINEER
DEAN ARP
6/05/20

STRICKLAND BROTHERS
10 MINUTE OIL CHANGE
810 SOUTH MAIN STREET
GRAHAM, NC

ISSUE DATE: 6-05-2020

REVISION 1:	
REVISION 2:	
REVISION 3:	
REVISION 4:	

AEI PROJECT #: 20065
CONTENT: FRAMING SECTIONS & DETAILS

ENGINEER OF RECORD: LDA
DRAWN BY: DS

ARP ENGINEERING
CONSULTING ENGINEERS

202 EAST FRANKLIN STREET, SUITE A
PO BOX 587 - MONROE - NC 28111
(704) 225-0079
NC COA C2424

Sheet
S-4.4