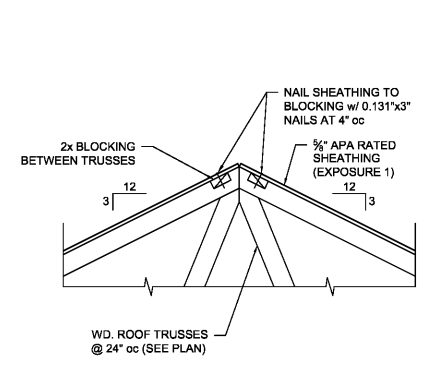
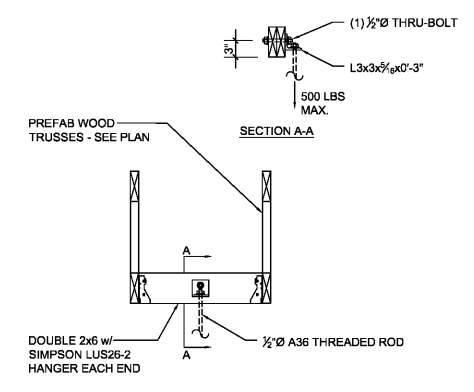


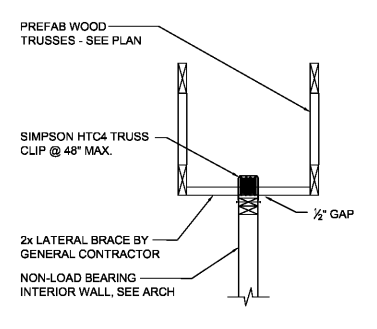
THE ARCHITECT/ENGINEER DOES NOT DEFINE THE SCOPE OF INDIVIDUAL TRADES, SUBCONTRACTORS, MATERIAL SUPPLIERS, OR VENDORS. ANY SHEET NUMBERING SYSTEM USED WHICH IDENTIFIES DISCIPLINES IS SOLELY TO SEPARATE ARCHITECTS AND ENGINEERS SCOPE. IT DOES NOT DEFINE A SUBCONTRACTORS SCOPE OF WORK. ANY DISCREPANCIES BETWEEN DRAWINGS, SPECIFICATIONS, CODES OR CONSTRUCTION SEQUENCING SHALL BE BROUGHT TO THE ATTENTION OF THE ARCHITECT PRIOR TO PROCEEDING. NO CONSIDERATION WILL BE GIVEN TO REQUESTS FOR CHANGE ORDERS FOR FAILURE TO OBTAIN AND REVIEW THE COMPLETE SET OF CONSTRUCTION DOCUMENTS, OR FOR FAILURE TO SEEK INTERPRETATION FROM ARCHITECT FOR DISCREPANCIES.



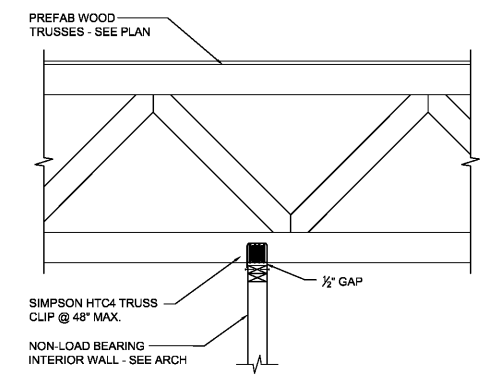
1 SECTION AT RIDGE  
S-4.3 NO SCALE TYPICAL



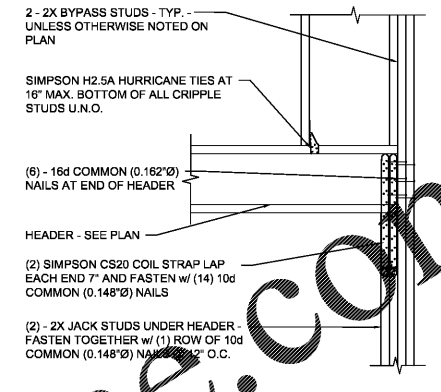
2 SECTION AT HANGER  
S-4.3 NO SCALE



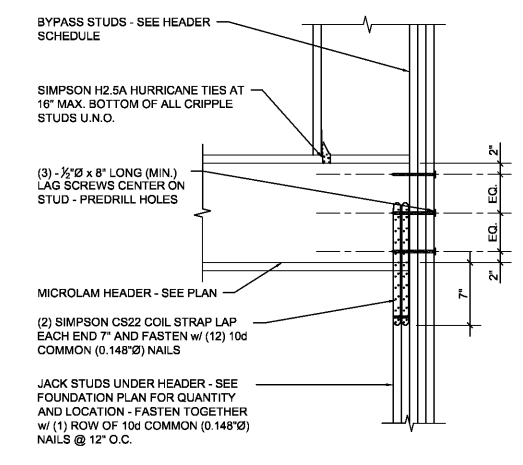
3 SECTION AT WALL BRACE  
S-4.3 NO SCALE



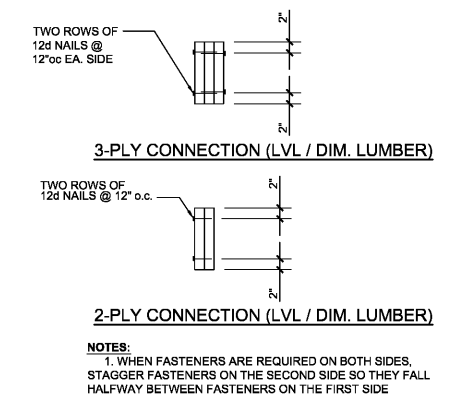
4 SECTION AT WALL BRACE  
S-4.3 NO SCALE



5 HEADER DETAIL  
S-4.3 SCALE: 3/4"=1'-0" TYPICAL



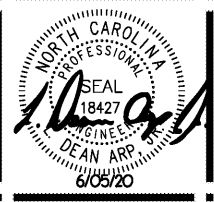
6 MICROLAM HEADER BEARING  
S-4.3 SCALE: 3/4"=1'-0" TYPICAL



7 MULTI-PLY BEAM CONNECTIONS  
S-4.3 NO SCALE

Order Plans @ www.LDILine.com

ARP ENGINEERS & ARCHITECTS  
421 Premier Street, Suite 200, Cherrise, NC 28103  
Phone: 704.225.0079  
www.arpengineers.com



STRICKLAND BROTHERS  
10 MINUTE OIL CHANGE  
810 SOUTH MAIN STREET  
GRAHAM, NC

ISSUE DATE: 6-05-2020  
REVISION 1: \_\_\_\_\_  
REVISION 2: \_\_\_\_\_  
REVISION 3: \_\_\_\_\_  
REVISION 4: \_\_\_\_\_  
AEI PROJECT #: 20065  
CONTENT: FRAMING SECTIONS & DETAILS

ENGINEER OF RECORD: LDA  
DRAWN BY: DS

ARP ENGINEERING  
CONSULTING ENGINEERS  
202 EAST FRANKLIN STREET, SUITE A  
PO BOX 587 - MONROE - NC 28111  
(704) 225-0079  
NC COA C2424

ALL REVISIONS, COMMENTS, AND SPECIFICATIONS SHOWN THEREON ARE THE PROPERTY OF ARP ENGINEERING, INC. ALL RIGHTS RESERVED. INCLUDING RIGHTS OF REPRODUCTION. THIS DRAWING MUST NOT BE REPRODUCED OR COPIED IN WHOLE OR IN PART WITHOUT THE EXPRESS WRITTEN PERMISSION OF ARP ENGINEERING, INC.  
COPYRIGHT © 2020, ARP ENGINEERING, INC.

Sheet  
S-4.3