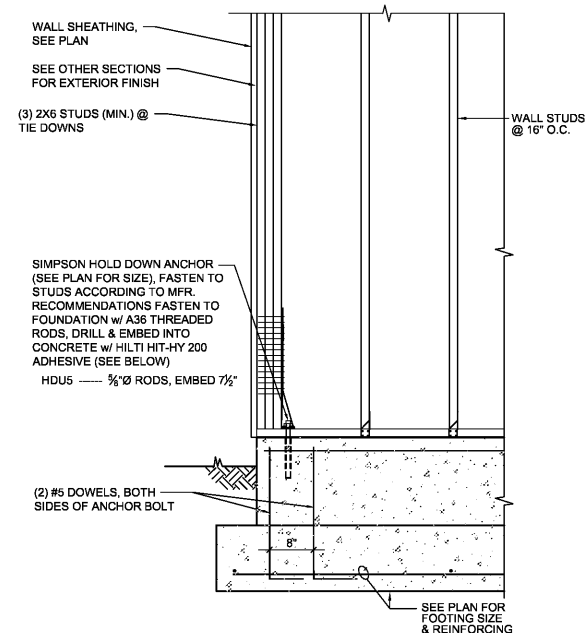
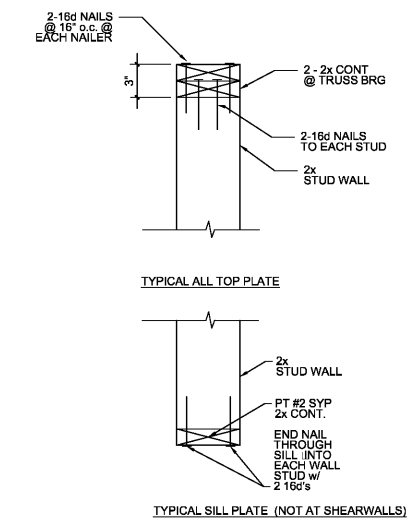


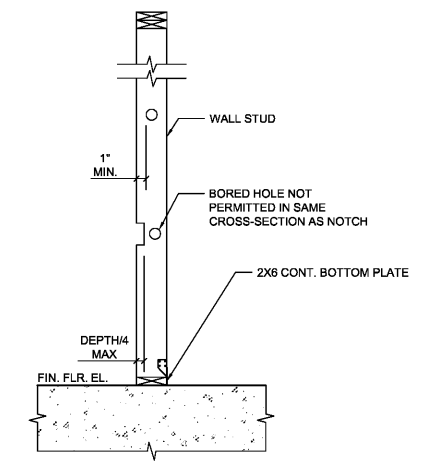
THE ARCHITECT/ENGINEER DOES NOT DEFINE THE SCOPE OF INDIVIDUAL TRADES, SUBCONTRACTORS, MATERIAL SUPPLIERS, OR VENDORS. ANY SHEET NUMBERING SYSTEM USED WHICH IDENTIFIES DISCIPLINES IS SOLELY TO SEPARATE ARCHITECTS AND ENGINEERS' SCOPE. IT DOES NOT DEFINE A SUBCONTRACTOR'S SCOPE OF WORK. ANY DISCREPANCIES BETWEEN DRAWINGS, SPECIFICATIONS, CODES OR CONSTRUCTION SEQUENCING SHALL BE BROUGHT TO THE ATTENTION OF THE ARCHITECT PRIOR TO PROCEEDING. NO CONSIDERATION WILL BE GIVEN TO REQUESTS FOR CHANGE ORDERS FOR FAILURE TO OBTAIN AND REVIEW THE COMPLETE SET OF CONSTRUCTION DOCUMENTS, OR FOR FAILURE TO SEEK INTERPRETATION FROM ARCHITECT FOR DISCREPANCIES.



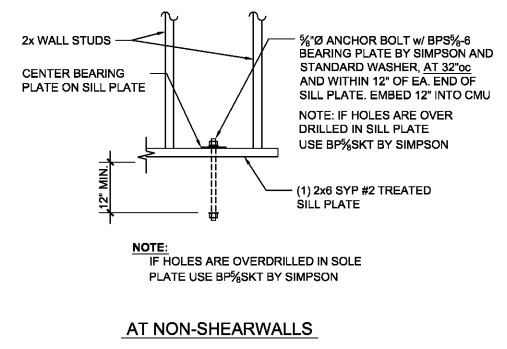
1 SECTION AT EXTERIOR WALL
S-4.2 SCALE: 3/4" = 1'-0"



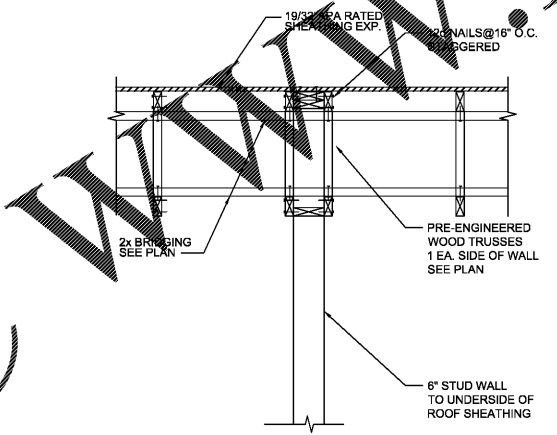
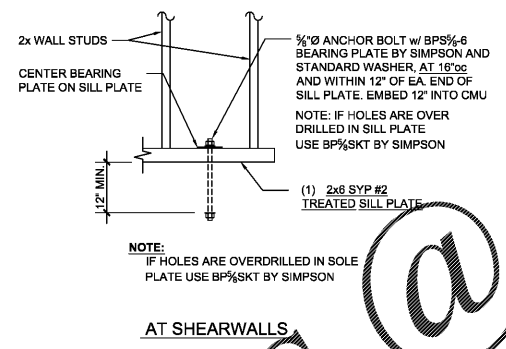
2 TYPICAL DETAILS AT STUD WALL
S-4.2 NO SCALE TYPICAL DETAIL



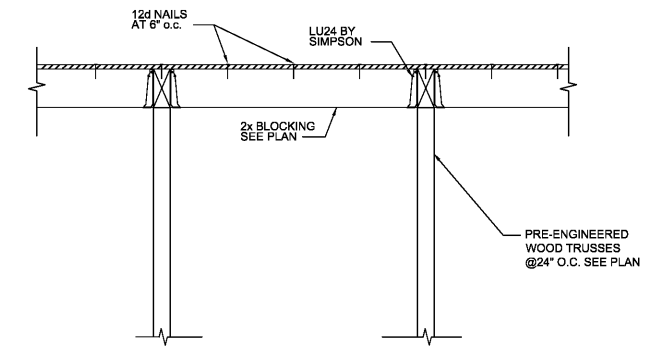
3 NOTCHES AND HOLES IN STUDS
S-4.2 3/4" = 1'-0" TYPICAL DETAIL



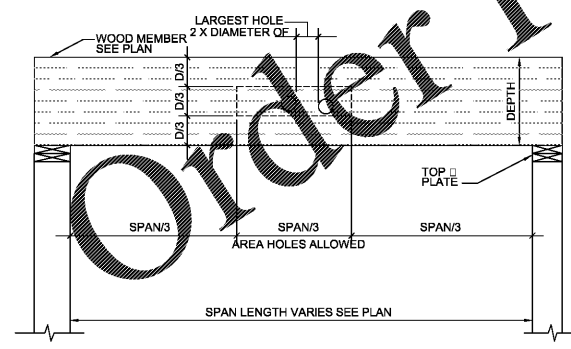
4 SILL PLATE CONNECTION DETAIL - AT SHEARWALL AND NON-SHEARWALL
S-4.2 3/4" = 1'-0" TYPICAL DETAIL



5 SECTION AT INT. WALL AT ROOF
S-4.2 N.T.S.



6 TYPICAL ROOF BLOCKING
S-4.2 N.T.S.



7 GUIDE FOR DRILLING IN BEAM OR LINTELS
S-4.2 N.T.S. TYPICAL

1. FIELD DRILLED HOLES SHALL BE FOR ACCESS ONLY (SMALL DIAMETER WIRES, CONDUIT, CABLE & OTHER LIGHTWEIGHT MATERIALS), AND NOT FOR LOAD BEARING HARDWARE ATTACHMENTS.
2. MAXIMUM HOLE SIZE IS 2" Ø FOR BEAMS 9" & DEEPER. SQUARE & RECTANGULAR HOLES ARE NOT ALLOWED.
3. THE ENTIRE HOLE MUST BE INSIDE THE ALLOWABLE ZONE. IF MORE THAN ONE HOLE IS REQUIRED, THE MINIMUM CLEAR DISTANCE BETWEEN HOLES IS TWO TIMES THE DIAMETER OF THE LARGEST HOLE.

WWW.LDILine.com



STRICKLAND BROTHERS
10 MINUTE OIL CHANGE
810 SOUTH MAIN STREET
GRAHAM, NC

ISSUE DATE: 6-05-2020
REVISION 1:
REVISION 2:
REVISION 3:
REVISION 4:
AEI PROJECT #: 20065
CONTENT: FRAMING SECTIONS & DETAILS
ENGINEER OF RECORD: LDA
DRAWN BY: DS

ARP ENGINEERING
CONSULTING ENGINEERS
202 EAST FRANKLIN STREET, SUITE A
PO BOX 587 - MONROE - NC 28111
(704) 225-0079
NC COA C2424

Sheet
S-4.2