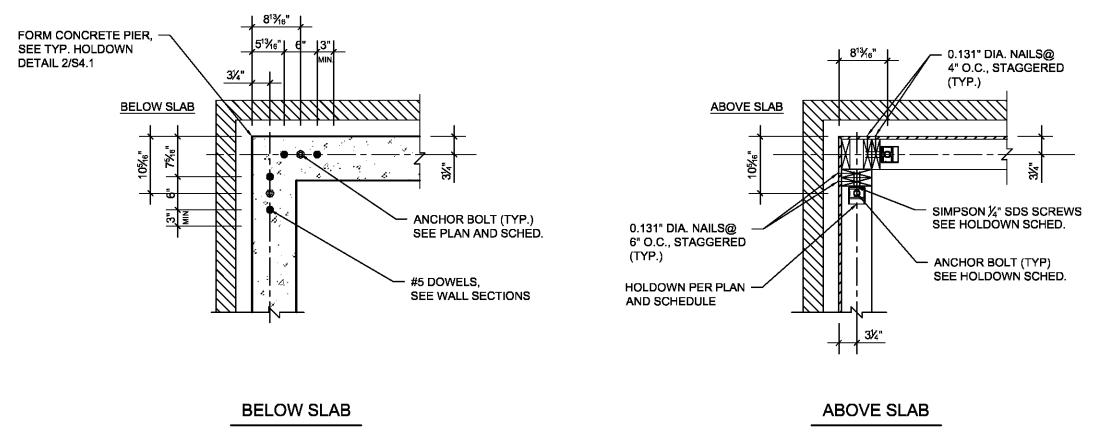
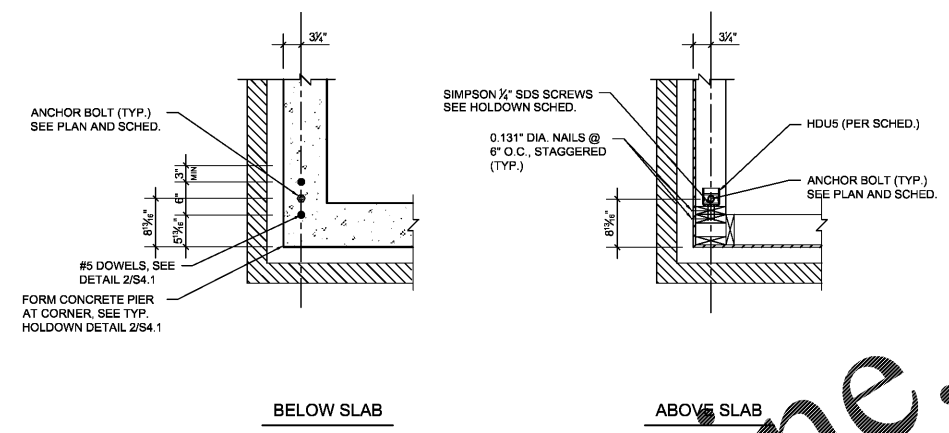


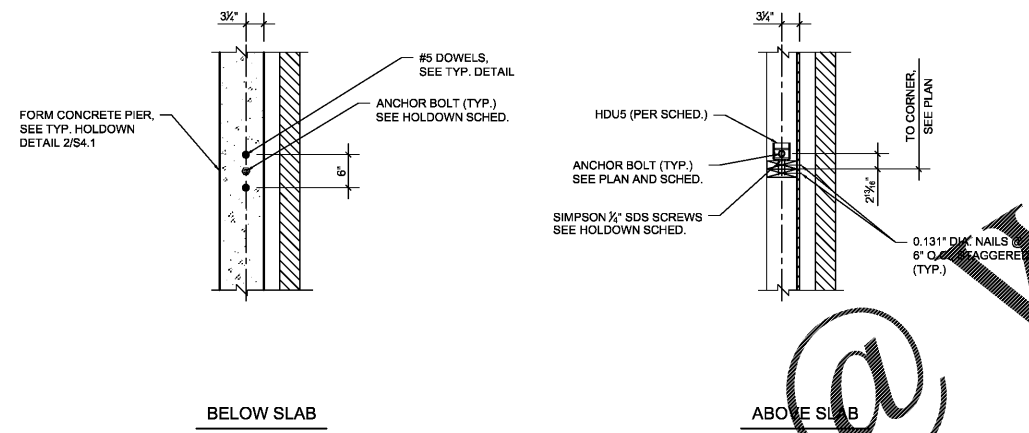
THE ARCHITECT/ENGINEER DOES NOT DEFINE THE SCOPE OF INDIVIDUAL TRADES, SUBCONTRACTORS, MATERIAL SUPPLIERS, OR VENDORS. ANY SHEET NUMBERING SYSTEM USED WHICH IDENTIFIES DISCIPLINES IS SOLELY TO SEPARATE ARCHITECTS AND ENGINEERS SCOPE, IT DOES NOT DEFINE A SUBCONTRACTOR'S SCOPE OF WORK. ANY DISCREPANCIES BETWEEN DRAWINGS, SPECIFICATIONS, CODES OR CONSTRUCTION SEQUENCING SHALL BE BROUGHT TO THE ATTENTION OF THE ARCHITECT PRIOR TO PROCEEDING. NO CONSIDERATION WILL BE GIVEN TO REQUESTS FOR CHANGE ORDERS FOR FAILURE TO OBTAIN AND REVIEW THE COMPLETE SET OF CONSTRUCTION DOCUMENTS, OR FOR FAILURE TO SEEK INTERPRETATION FROM ARCHITECT FOR DISCREPANCIES.



1 PLAN DETAILS AT CORNERS AT HOLDDOWNS
S3.2 3/4" = 1'-0"



2 PLAN DETAILS AT CORNERS AT HOLDDOWNS
S3.2 3/4" = 1'-0"



3 PLAN DETAILS AT END OF SHEAR WALL AT HOLDDOWN
S3.2 3/4" = 1'-0"

Order Plans @ www.LDILine.com

STRICKLAND BROTHERS
10 MINUTE OIL CHANGE
810 SOUTH MAIN STREET
GRAHAM, NC

ISSUE DATE: 6-05-2020

REVISION 1: _____

REVISION 2: _____

REVISION 3: _____

REVISION 4: _____

AEI PROJECT #: 20065

CONTENT: SECTIONS & DETAILS

ENGINEER OF RECORD: LDA

DRAWN BY: DS

ARP ENGINEERING
CONSULTING ENGINEERS

202 EAST FRANKLIN STREET, SUITE A
PO BOX 587 - MONROE - NC 28111
(704) 225-0079
NC COA C2424

AS PER LICENSE, CONDITIONS, AND SPECIFICATIONS SHOWN HEREON ARE THE PROPERTY OF ARP ENGINEERING INC. ALL RIGHTS RESERVED. INCLUDING RIGHTS OF REPRODUCTION. THE DRAWING SHALL NOT BE REPRODUCED OR COPIED IN WHOLE OR IN PART WITHOUT THE EXPRESS WRITTEN PERMISSION OF ARP ENGINEERING INC.

Copyright © 2020, ARP ENGINEERING, INC.

Sheet
S-3.2