

THE ARCHITECT/ENGINEER DOES NOT DEFINE THE SCOPE OF INDIVIDUAL TRADES, SUBCONTRACTORS, MATERIAL SUPPLIERS, OR VENDORS. ANY SHEET NUMBERING SYSTEM USED WHICH IDENTIFIES DISCIPLINES IS SOLELY TO SEPARATE ARCHITECT'S AND ENGINEER'S SCOPE. IT DOES NOT DEFINE A SUBCONTRACTOR'S SCOPE OF WORK. ANY DISCREPANCIES BETWEEN DRAWINGS, SPECIFICATIONS, CODES OR CONSTRUCTION SEQUENCING SHALL BE BROUGHT TO THE ATTENTION OF THE ARCHITECT PRIOR TO PROCEEDING. NO CONSIDERATION WILL BE GIVEN TO REQUESTS FOR CHANGE ORDERS FOR FAILURE TO OBTAIN AND REVIEW THE COMPLETE SET OF CONSTRUCTION DOCUMENTS, OR FOR FAILURE TO SEEK INTERPRETATION FROM ARCHITECT FOR DISCREPANCIES.



421 Penman Street, Suite 200, Charlotte, NC 28203
Email: esd@esdarch.com • Phone: 704-373-1900



STRICKLAND BROTHERS
10 MINUTE OIL CHANGE
810 SOUTH MAIN STREET
GRAHAM, NC



6-5-2020

ISSUE DATE: 6/5/20

REVISION 1: _____
REVISION 2: _____
REVISION 3: _____
REVISION 4: _____

PROJECT #: 20-127
CONTENT: CASEWORK
ELEVATIONS AND
DETAILS

PROJECT ARCHITECT: ECE
DRAWN BY: VW

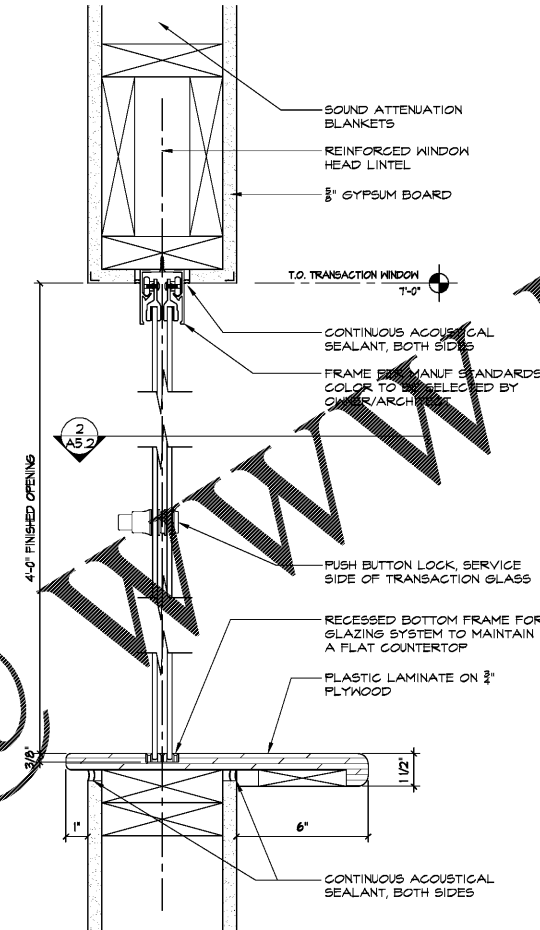
CADD FILE NAME:
20-127-CDS-A-5.2 DR WIN DETAILS

THIS DRAWING AND THE DESIGN SHOWN ARE THE PROPERTY OF SAM'S EXPRESS CAR WASH, LLC. THE REPRODUCTION OR USE OF THIS DRAWING WITHOUT THEIR WRITTEN CONSENT IS PROHIBITED. ANY INFRINGEMENT IS SUBJECT TO LEGAL ACTION.

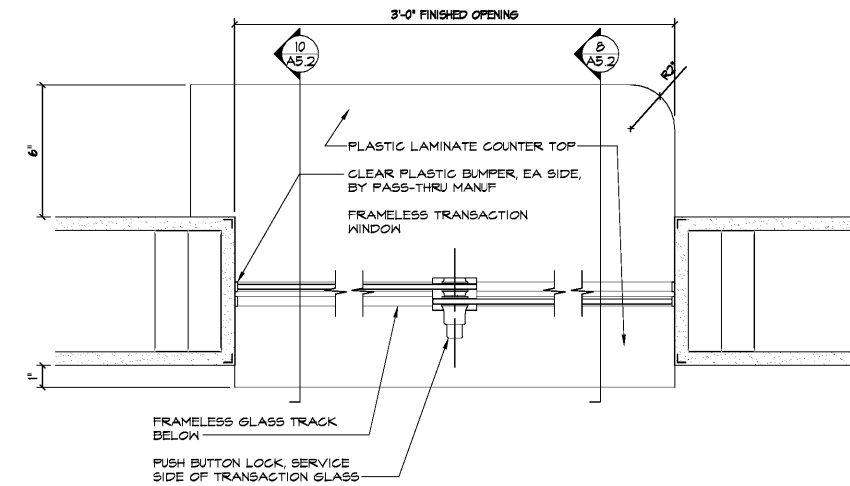
Sheet

A-5.2

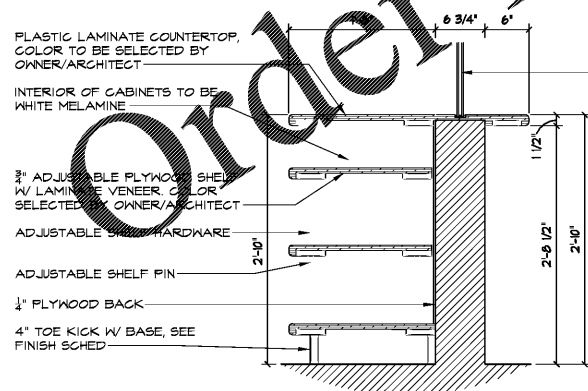
WWW.LDILine.com



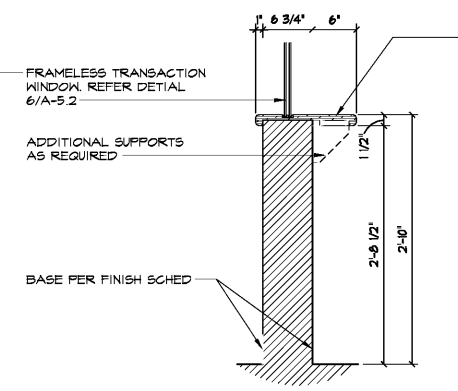
6 TRANSACTION SECTION DETAIL
SCALE: 3/8"=1'-0"



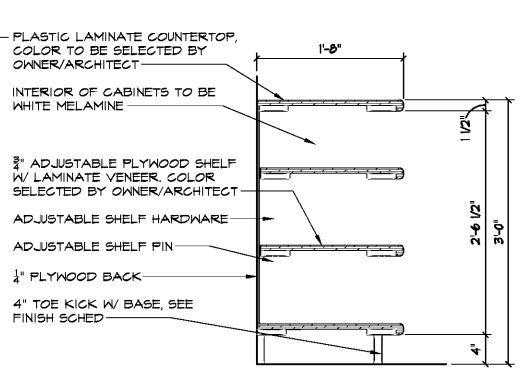
2 TRANSACTION PLAN DETAIL
SCALE: 3/8"=1'-0"



10 CASEWORK SECTION
SCALE: 1/4"=1'-0"

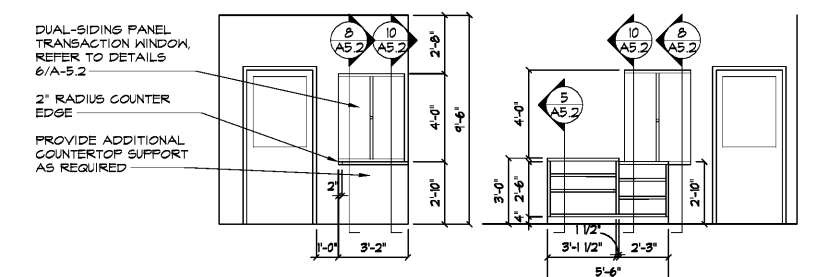


8 CASEWORK SECTION
SCALE: 1/4"=1'-0"



5 CASEWORK SECTION
SCALE: 1/4"=1'-0"

NOTE: VERIFY ALL OWNER'S REQUIRED ITEMS FIT IN PROPOSED MILLWORK PRIOR TO FABRICATION. ALL MILLWORK FINISHES TO BE SELECTED BY OWNER.



1 CASEWORK ELEVATIONS
SCALE: 1/4"=1'-0"