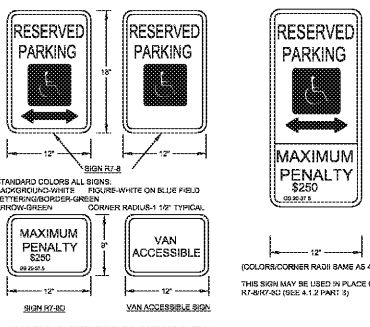


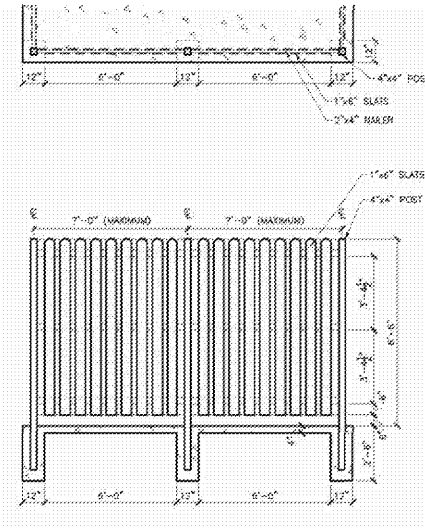
CONDITION 1: STANDARD CURB AND GUTTER
CONDITION 2: CURB WITH SIGN ON TOP

GENERAL NOTES:
1. REGARDS SIGN ON TOP, ALL ACCESSIBLE SPACES SHALL BE IDENTIFIED BY RED-GRAINED SIGNS ONLY (SEE NCSD). NEW SPACES SHALL NOT USE GROUND-PAINTED SYMBOLS.
2. ACCESSIBLE SPACES ARE REQUIRED TO BE STRIPPED OFF ONLY, BLUE COLORING IS NOT NECESSARY ON RED-GRAINED STRIPING OR WHITE ON DARK PAVEMENT, BLACK ON LIGHT PAVEMENT. (NCSD)
3. 4.1.2 SIGN MOUNTING - (HEIGHTS AT ACCESSIBLE SPACES PART 2)

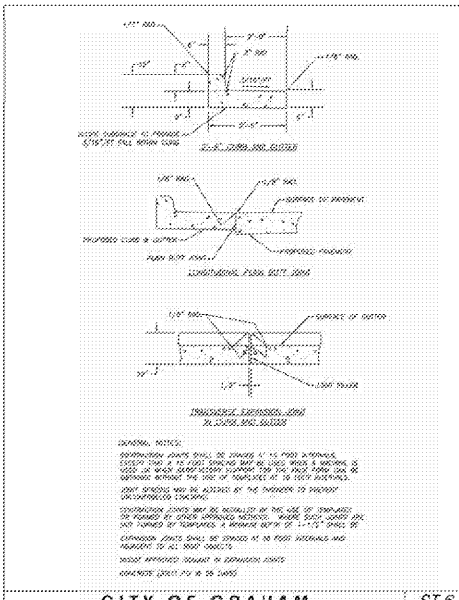


STANDARD COLORS ALL SIGNS:
BACKGROUND: WHITE
LETTERING/CHARACTER: GREEN
ARROW: GREEN
FOUR: WHITE ON BLUE FIELD

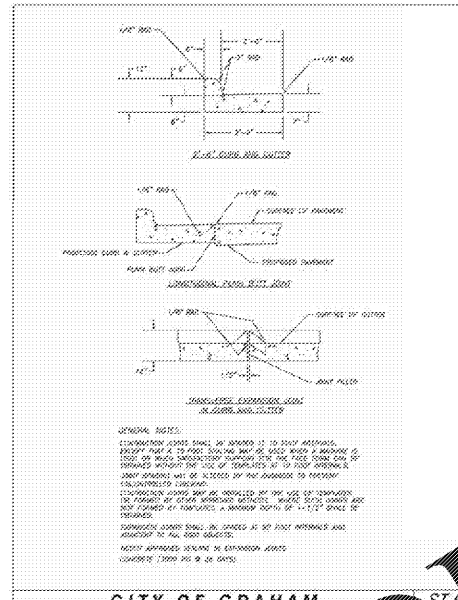
4.1.2 SIGNS AT ACCESSIBLE PARKING SPACES (PART 1)
4.1.2 SIGNS AT ACCESSIBLE PARKING SPACES (PART 2)



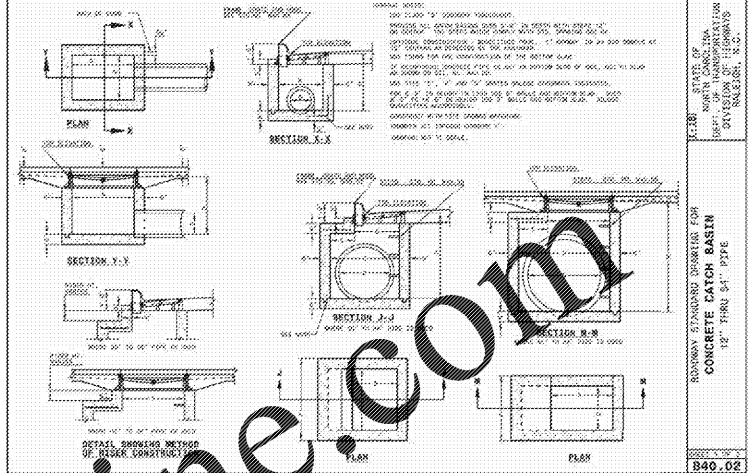
DUMPSTER PAD FENCING
NTS



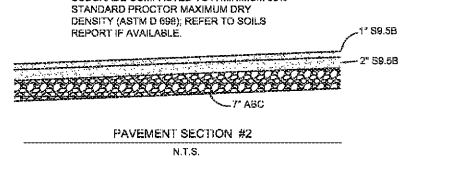
CITY OF GRAHAM
STANDARD CONCRETE SPILL CURB & GUTTER
ST-6



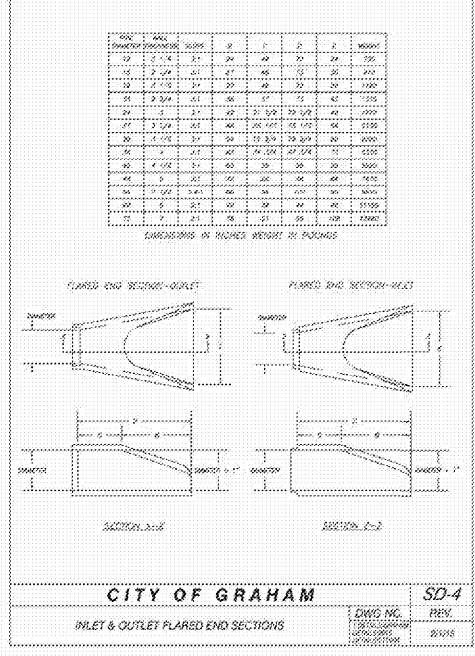
CITY OF GRAHAM
STD. CONCRETE CURB AND CURB & GUTTER
ST-5



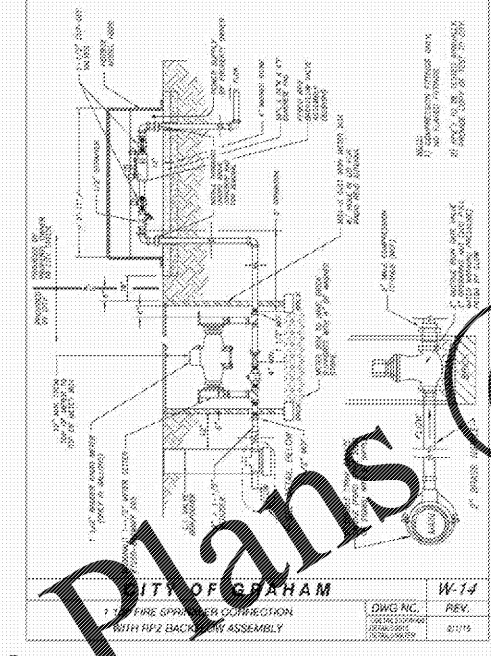
STANDARD BRICK CATCH BASIN
12" DIA. 12" DEEP
B40.02



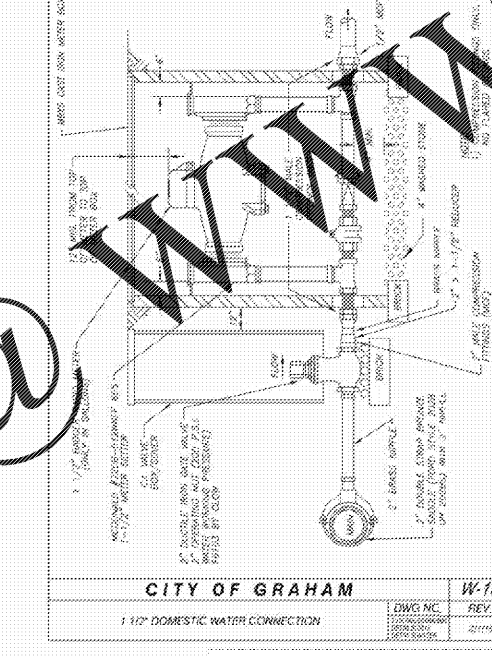
PAVEMENT SECTION #2
NTS



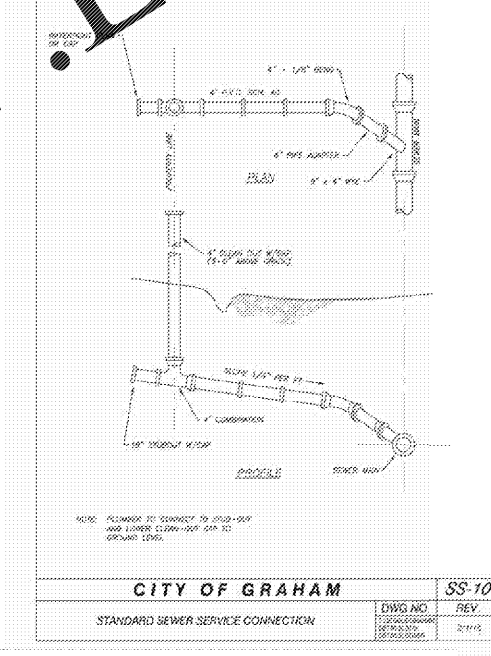
CITY OF GRAHAM
INLET & OUTLET PLARLED END SECTIONS
SD-4



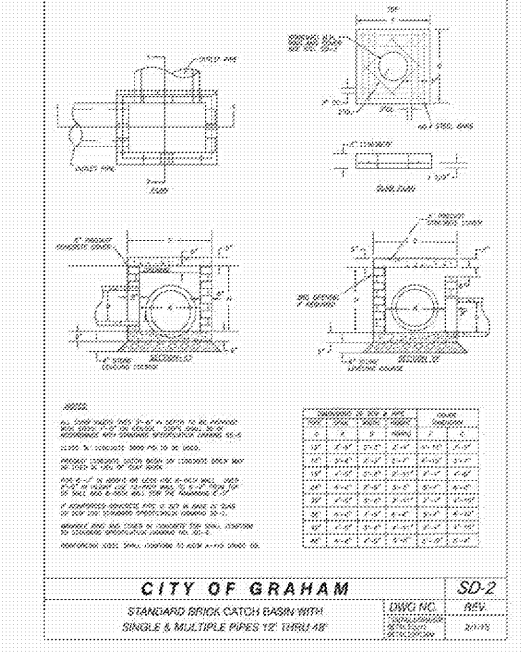
CITY OF GRAHAM
FINE GRANULAR CONNECTION WITH #2 BACKING ASSEMBLY
W-74



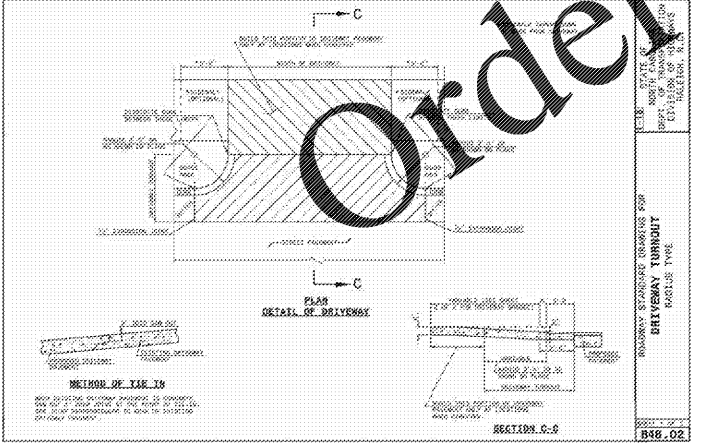
CITY OF GRAHAM
1 1/2" DOMESTIC WATER CONNECTION
W-13



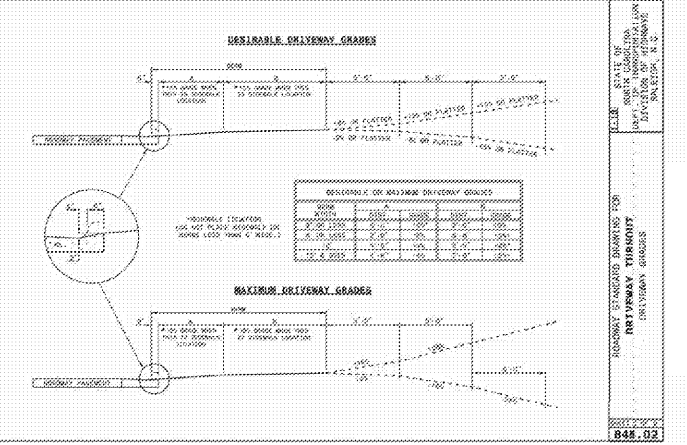
CITY OF GRAHAM
STANDARD SEWER SERVICE CONNECTION
SS-10



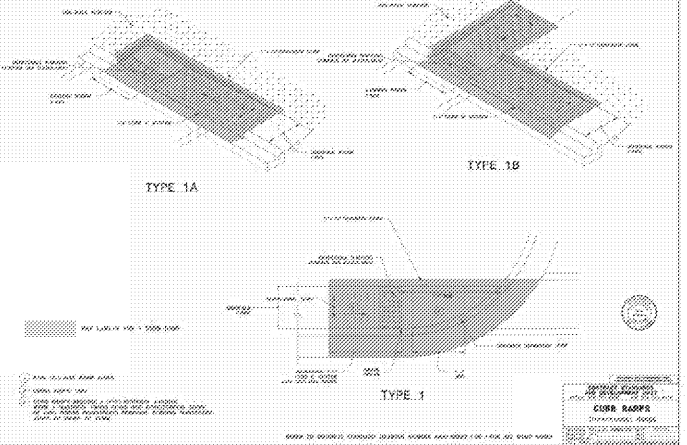
CITY OF GRAHAM
STANDARD BRICK CATCH BASIN WITH SINGLE & MULTIPLE PIPES 12" THRU 48"
SD-2



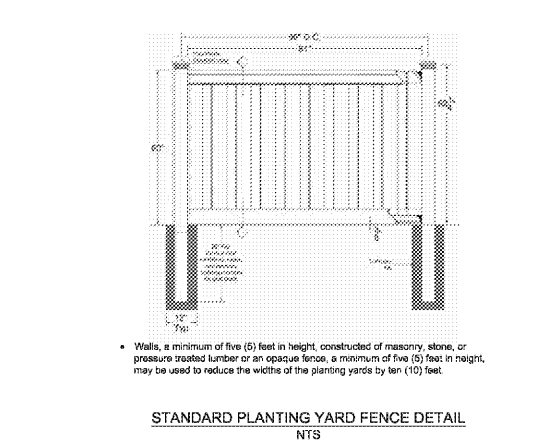
DRIVEWAY TURNOUT
B48.02



DRIVEWAY GRADINGS
B48.02

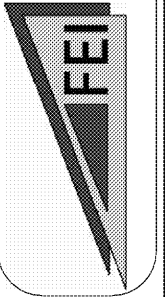


CURB RAMP
B48.02



STANDARD PLANTING YARD FENCE DETAIL
NTS

Civil Engineers and Land Surveyors
3518 Triad Drive, Colfax, NC 27235
(336) 852-9797
www.feiconsulting.com
License No. C-0950



STRICKLAND BROTHERS 10 MINUTE OIL CHANGE
DETAILS

OWNER INFORMATION:
STRICKLAND BROTHERS, LLC
CITY: GRAHAM
COUNTY: ALAMANCE
STATE: NORTH CAROLINA

NO.	DATE	REVISION NOTE
1		
2		
3		
4		
5		

DRAWN BY: CP
CHECKED BY: AC
DATE: 05/14/2020
PROJECT NO.: 07510.018
REF. NO.: N/A
SCALE: N/A

PRELIMINARY
NOT FOR
CONSTRUCTION

SHEET
9 OF 10