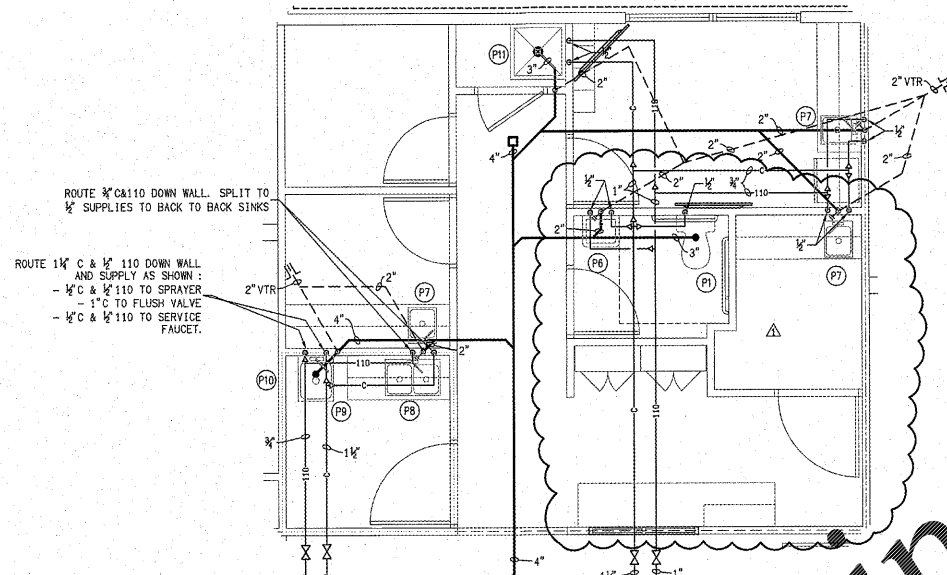
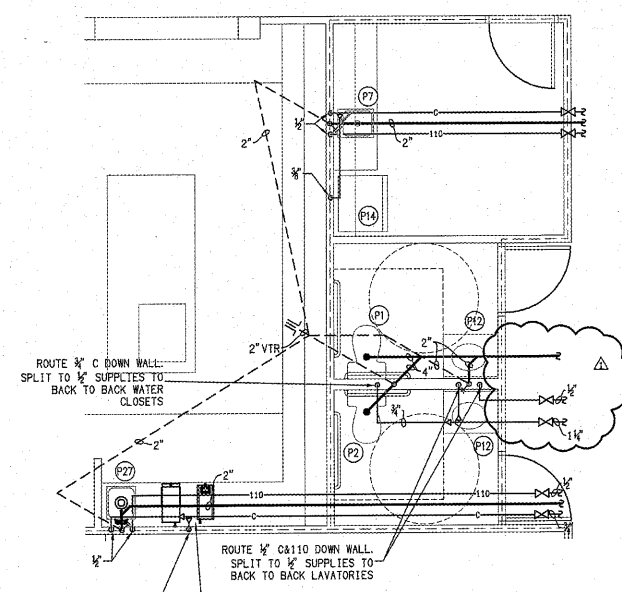


A ENLARGED PLAN
P2.0 SCALE: 1/4" = 1'-0"



B ENLARGED PLAN
P2.0 SCALE: 1/4" = 1'-0"



C ENLARGED PLAN
P2.0 SCALE: 1/4" = 1'-0"

IF REQUIRED, CONTRACTOR SHALL INSTALL A HUB DRAIN IN CABINET UNDER SINK FOR BEVERAGE MACHINES. VERIFY WITH G. C.

SEE CIVIL DRAWING FOR CONTINUATION. VERIFY EXACT LOCATION, SIZE AND DEPTH OF CONNECTION TO BUILDING SEWER BEFORE INSTALLING ANY WASTE PIPE

- NOTES:**
- CONSULT KITCHEN VENDOR PLANS FOR ROUGH-IN DIMENSIONS, EQUIPMENT, DRAIN LOCATIONS & ALL EQUIPMENT DESCRIPTION.
 - ALL WATER AND GAS PIPING ROUTES ABOVE CEILING, DROPPING DOWN TO FIXTURES AND APPLIANCES.
 - PROVIDE ANGLE STOP VALVES TO ALL KITCHEN SINKS. PROVIDE GATE VALVES FOR OTHER KITCHEN WATER USERS.
 - P. C. SHALL MAKE ALL GAS CONNECTIONS TO ALL APPLIANCES AND EQUIPMENT. PLUMBING CONTRACTOR SHALL PROVIDE ALL EQUIPMENT, REGULATORS, FLEX PIPE AND ALL OTHER EQUIPMENT AND MATERIALS AS REQUIRED FOR THE CONNECTIONS. PLUMBING CONTRACTOR SHALL PROVIDE AND INSTALL ALL GAS VENTS TO OUTSIDE AS REQUIRED FOR ALL REGULATORS AND EQUIPMENT.
 - ALL VTR MUST BE 10' MINIMUM FROM AIR INTAKES FOR KITCHEN HOOD. COORDINATE WITH MECHANICAL CONTRACTOR.
 - ANY WASTE BRANCHES THAT RECEIVE DISCHARGE GREATER THAN 140" SHALL HAVE CAST IRON BRANCHES. CONTRACTOR SHALL INSTALL QUENCH VALVE IF REQUIRED BY LOCAL AUTHORITY. VALVE SHALL BE SUPPLIED BY NEARBY CW LINE.

3" - SEE CIVIL DRAWING FOR CONTINUATION. VERIFY EXACT LOCATION AND SIZE OF CONNECTION TO WATER SERVICE BEFORE INSTALLING ANY WATER PIPE

SEE (P) FOR PIPING AT GAS METER

SEE (P) FOR PIPING AT BACKFLOW PREVENTER

2" WATER RISER WITH MAIN SHUTOFF VALVE. IF WATER PRESSURE EXCEEDS 80 PSIG CONTRACTOR MUST PROVIDE AND INSTALL AND WATTS 223 PRESSURE REDUCING VALVE WITH STRAINER AND PRESSURE GAUGE. SET PRESSURE AT 60 PSIG

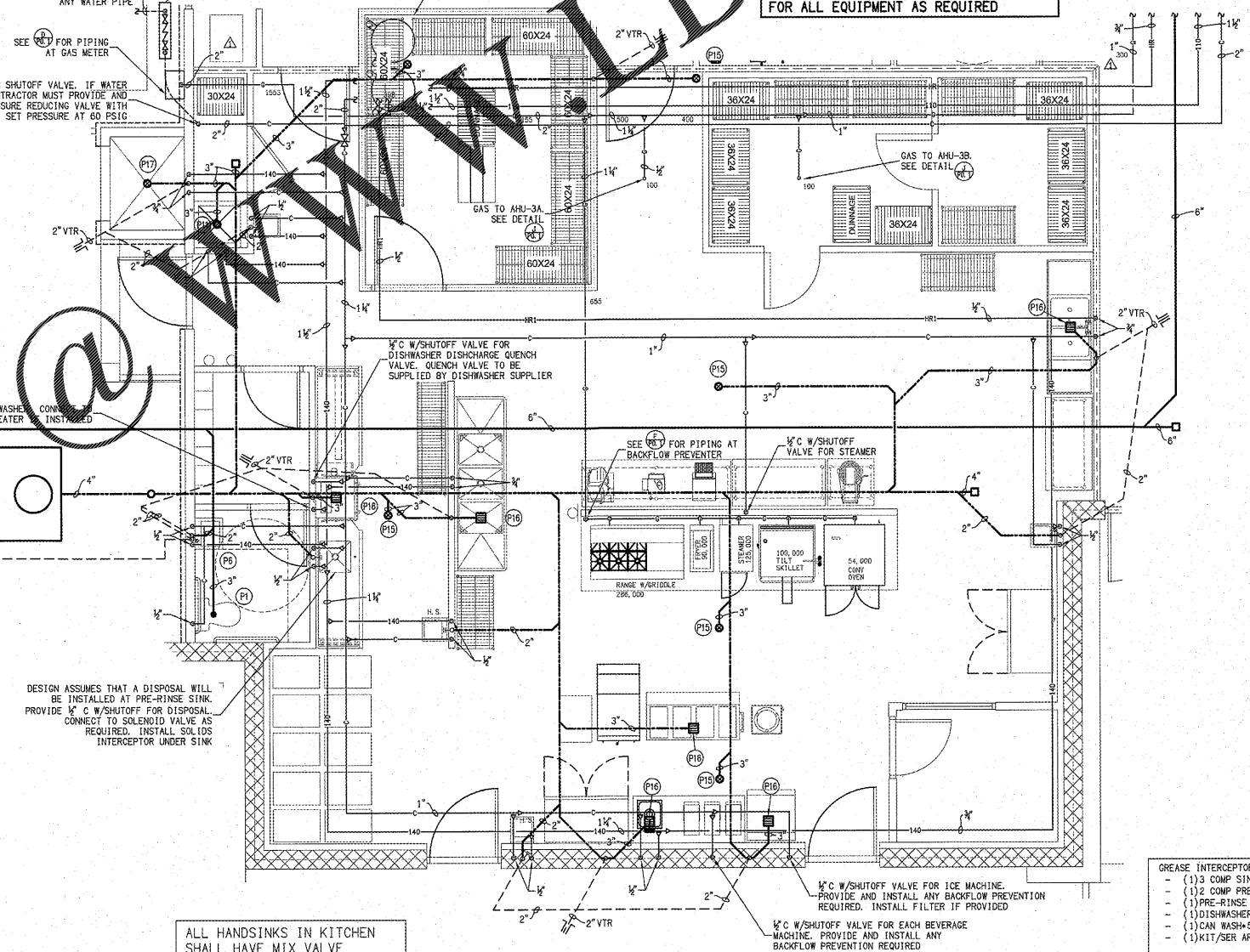
1/2" 140 TO DISHWASHER. CONDENSATE W/STEAMER HEATER INSTALLED

2" VENT FOR GREASE INTERCEPTOR

DESIGN ASSUMES THAT A DISPOSAL WILL BE INSTALLED AT PRE-RINSE SINK. PROVIDE 1/2" C W/SHUTOFF FOR DISPOSAL. CONNECT TO SOLENOID VALVE AS REQUIRED. INSTALL SOLIDS INTERCEPTOR UNDER SINK

ALL HANDSINKS IN KITCHEN SHALL HAVE MIX VALVE INSTALLED TO TEMP HOT WATER TO HANDWASHING TEMPERATURE

CONTRACTOR SHALL PROVIDE AND INSTALL A CODE APPROVED BACKFLOW PREVENTER FOR ALL EQUIPMENT AS REQUIRED



D ENLARGED PLAN
P2.0 SCALE: 1/4" = 1'-0"

GREASE INTERCEPTOR SIZING

- (1) 3 COMP SINK (1.5") = 14GPM
- (1) 2 COMP PREP SINK = 26GPM
- (1) PRE-RINSE SINK = 26GPM
- (1) DISHWASHER = 50GPM
- (1) CAN WASH = 50GPM
- (1) KIT/SER AREAS W/FD = 50GPM

TOTAL FLOW = 35GPM

DISCHARGE VOLUME = 35 x 30 = 1050GAL

FOG AND SOLID STORAGE = 1200/3 = 400GAL

SIZE OF GRAVITY INTERCEPTOR = 1400GAL

NEXT SIZE GRAVITY INTERCEPTOR = 1500GAL

Order Plans @ www.dsaonline.com

ARCHITECT
TIMOTHY
KURMASKIE
AIA, NCARB

1030 Washington St
Raleigh, NC 27605
Phone: 919-846-1600
Fax: 919-846-9404
ARCHITECTSKT.COM

THE DRAWINGS AND DESIGN SHOWN ARE THE PROPERTY OF ARCHITECT TIMOTHY KURMASKIE, AIA, NCARB. THE REPRODUCTION OR USE OF THIS PROPERTY WITHOUT THE WRITTEN CONSENT FROM THE ARCHITECT IS PROHIBITED AND ANY VIOLATION OF THESE RIGHTS IS SUBJECT TO LEGAL ACTION.

COPYRIGHT 2019
ARCHITECT TIMOTHY KURMASKIE, AIA, NCARB



DAVID SIMS & ASSOCIATES, P.C.
CONSULTING ENGINEERS
ARBORETUM CENTRE
108 GILES AVE, SUITE 100
WILMINGTON, NC 28403
910.791.8016
www.dsaeng.com

ALTERATION & ADDITION TO:
PruittHealth Savannah
12825 WHITE BLUFF ROAD
SAVANNAH, GA 31419

Project Reference Numbers
Architect's Project No. 180017

Drawn By:

REVISIONS

6/11/20 FLOOR PLAN CHANGES

DATES

PHASE	ISSUED
PERMIT SET	05/22/19

ENLARGED
PLUMBING PLANS

SHEET NUMBER

P2.0