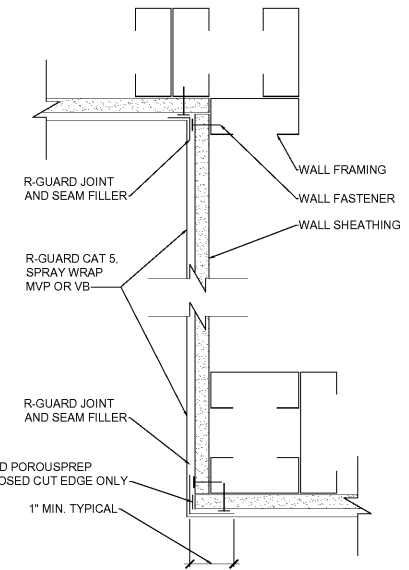
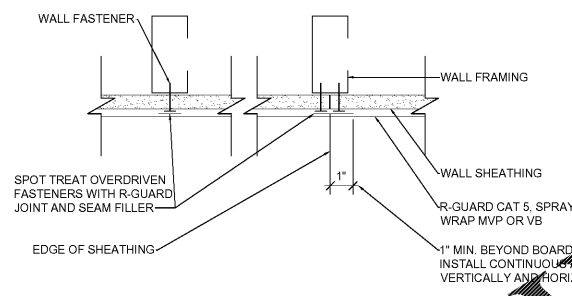


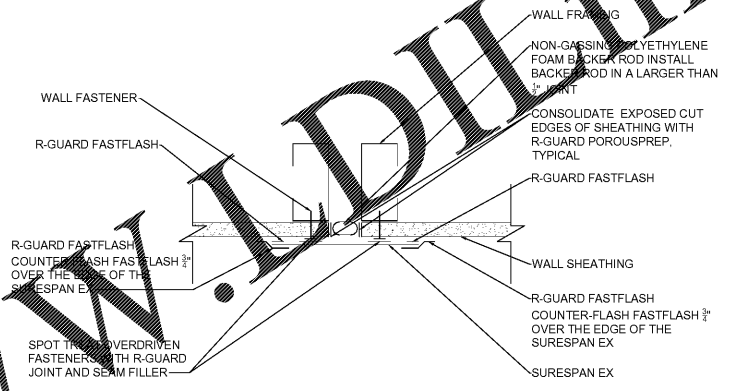
INTERIOR AIR/WATER SEAL  
detail 08  
SCALE: NTS



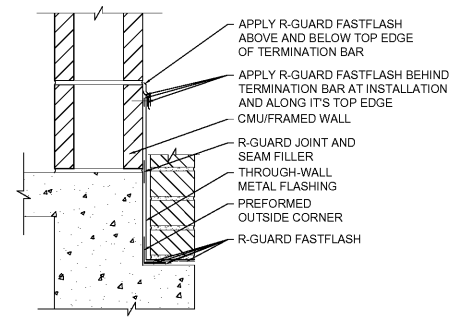
FLASHING @ CORNERS  
detail 07  
SCALE: NTS



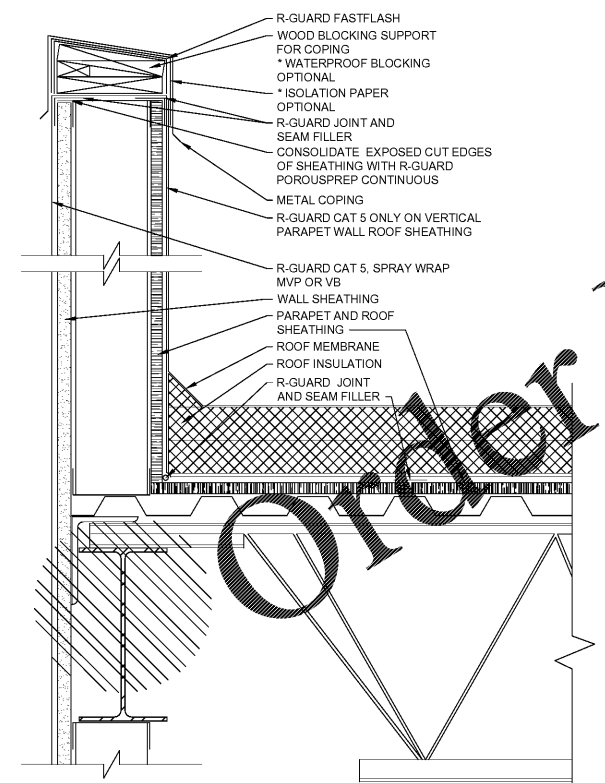
FLASHING @ SHEATHING JOINT  
detail 06  
SCALE: NTS



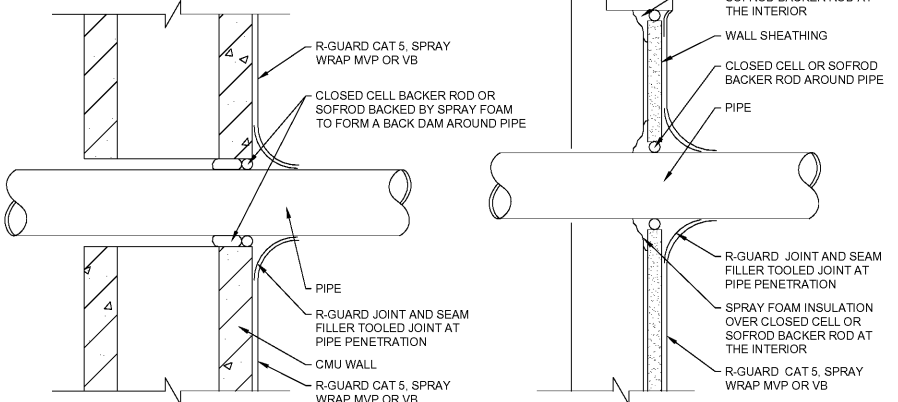
FLASHING @ VERT. EXPANSION JOINT  
detail 05  
SCALE: NTS



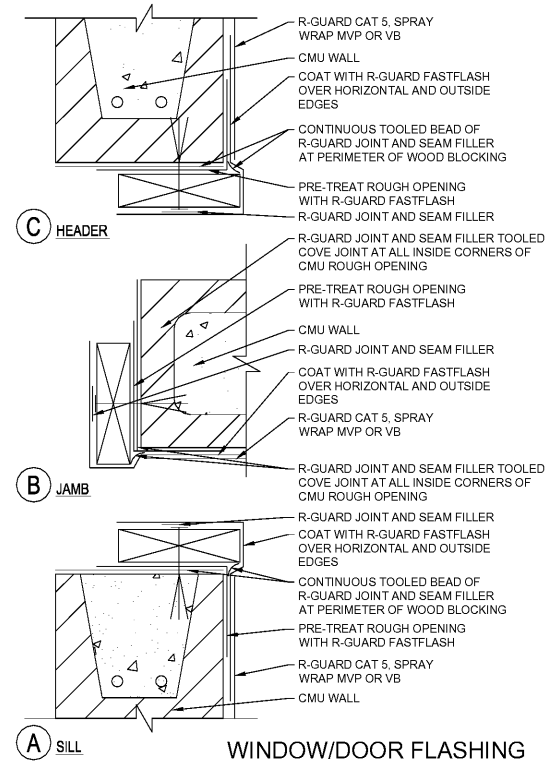
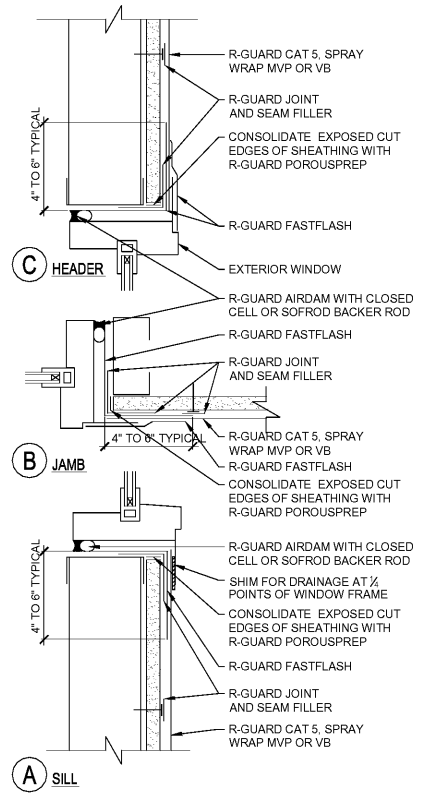
FLASHING @ BASE OF WALL  
detail 04  
SCALE: NTS



ROOF/PARAPET FLASHING  
detail 03  
SCALE: NTS



THROUGH PENETRATION FLASHING  
detail 02  
SCALE: NTS



WINDOW/DOOR FLASHING  
detail 01  
SCALE: NTS

Order Plans @ WMB

ALTERATION & ADDITION TO:  
**PruittHealth Savannah**  
12825 WHITE BLUFF ROAD  
SAVANNAH, GA 31419

Project Reference Numbers  
Architect's Project No. 180017

Drawn By: NK/WMB

REVISIONS

DATES  
PHASE ISSUED  
PERMIT SET 05/22/19

FLUID APPLIED AIR / VAPOR BARRIER DETAILS  
SHEET NUMBER

**A7.2**