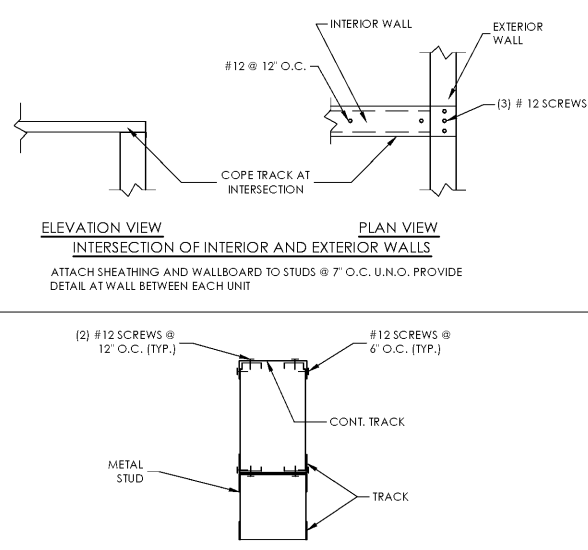
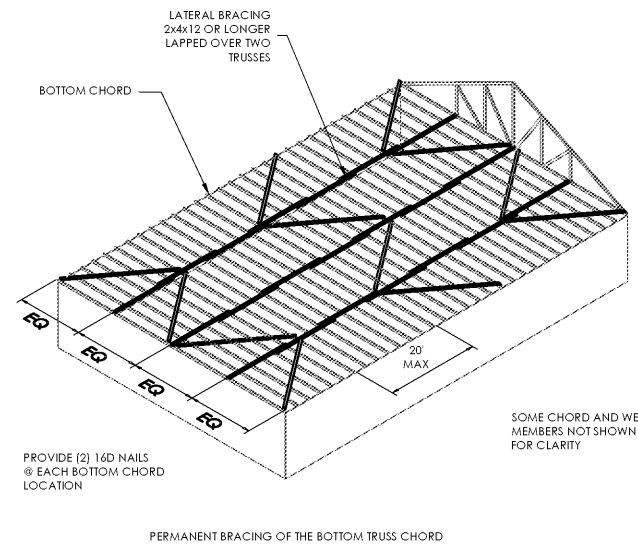


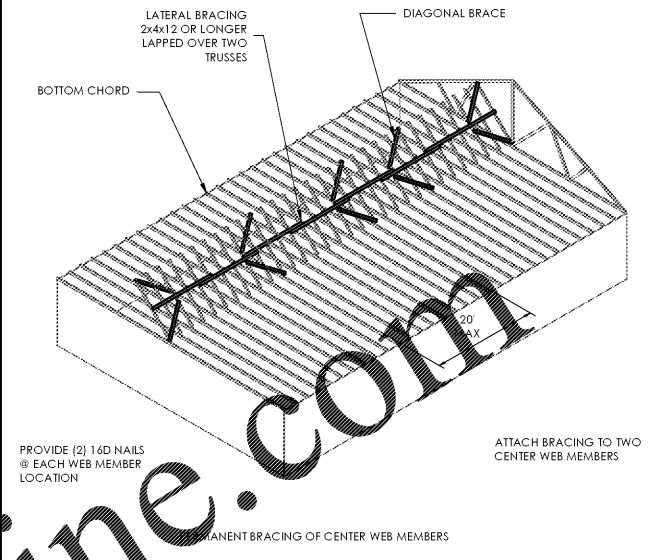
1 HEADER ELEVATION  
S-5 SCALE: NONE



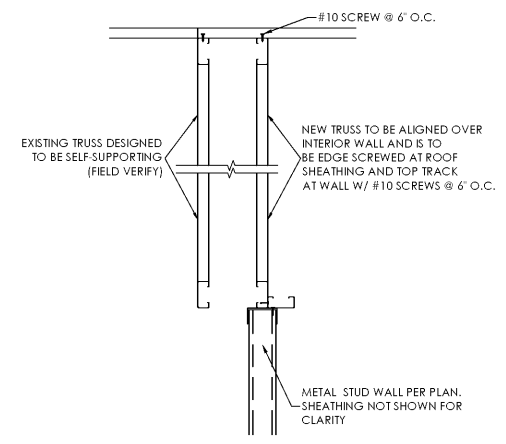
2 HEADER & TOP PLATE DETAIL  
S-5 SCALE: NONE



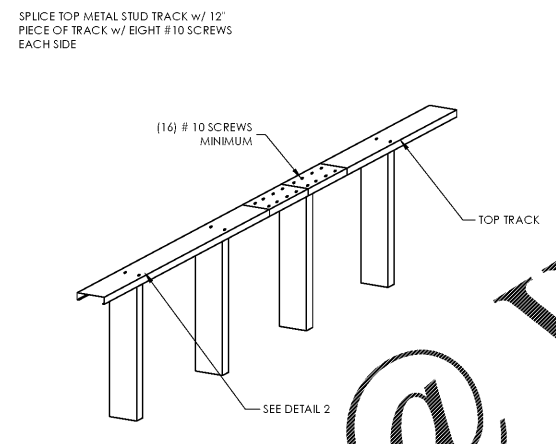
3 PERM. TRUSS BRACING DETAIL  
S-5 SCALE: NONE



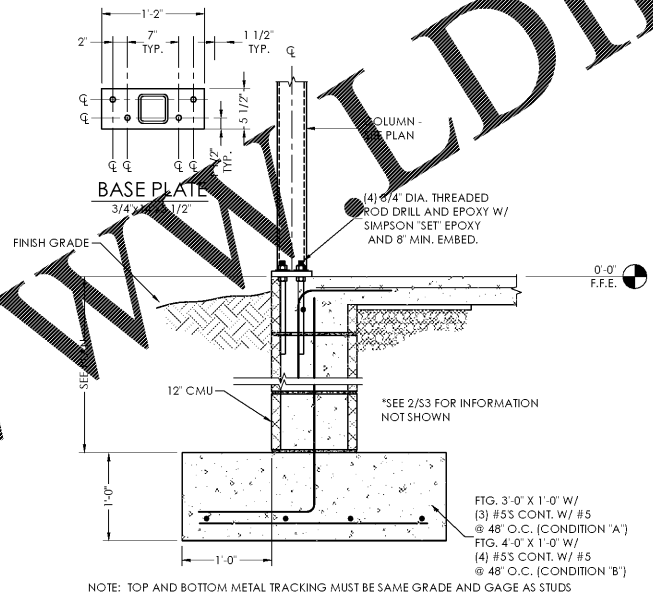
4 PERM. TRUSS BRACING DETAIL  
S-5 SCALE: NONE



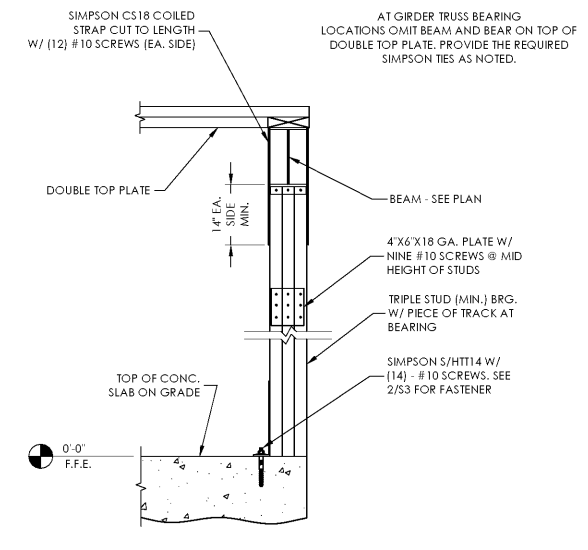
5 SECTION  
S-5 SCALE: NONE



6 TOP PLATE SPLICE DETAIL  
S-5 SCALE: NONE



7 SECTION  
S-5 SCALE: NONE



8 DETAIL @ BEAM BEARING  
S-5 SCALE: NONE

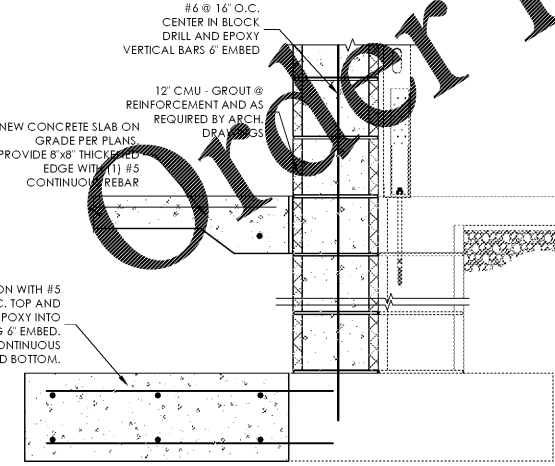
NOTES:  
SEE ARCH. DWGS. FOR WALL DETAILS WHEN FIREWALL EXTENDS 3' FROM BUILDING ON EACH SIDE.

PROVIDE 3/6\"/>

STEP INTERIOR FOOTING DOWN 1'-4\"/>

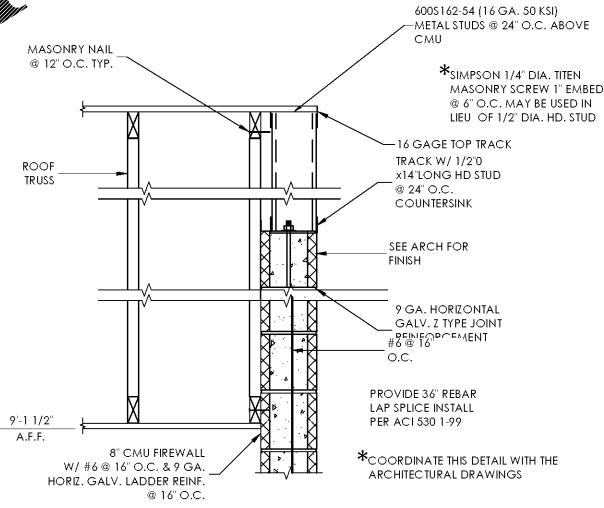
CONTRACTOR'S OPTION TO KEEP FOOTING @ 1'-4\"/>

PROVIDE 9 GA. HORIZONTAL GALV. LADDER JOINT REINF. @ 16\"/>



9 SECTION @ FIREWALL FOUNDATION  
S-5 SCALE: NONE

\*CONTRACTOR MUST VERIFY EXISTING CONDITIONS PRIOR TO CONSTRUCTION



10 SECTION @ TOP OF FIREWALL  
S-5 SCALE: NONE

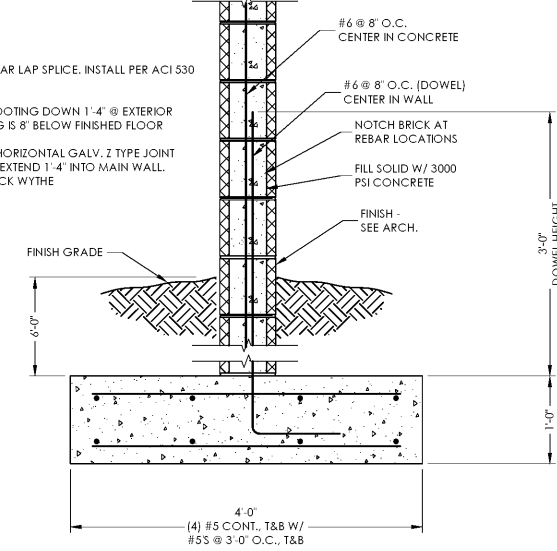
NOTES:

PROVIDE 3/6\"/>

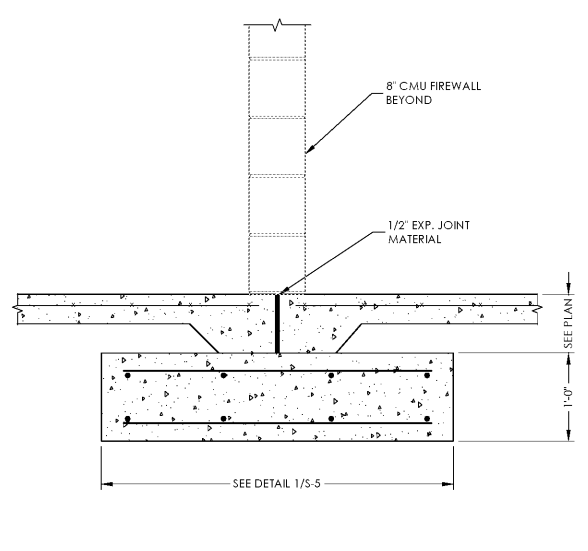
STEP INTERIOR FOOTING DOWN 1'-4\"/>

PROVIDE 9 GA. HORIZONTAL GALV. Z TYPE JOINT REINF. @ 8\"/>

EXTEND INTO BRICK WYTHE



11 SECTION @ FIREWALL FOUNDATION  
S-5 SCALE: NONE



12 SECTION @ FIREWALL OPENING  
S-5 SCALE: NONE

ARCHITECT  
TIMOTHY  
KURMASKIE  
AIA, NCARB

Building A, Suite 003  
1101 HAYNES ST.  
Raleigh, NC 27604  
Phone: 919-846-1600  
Fax: 919-846-9404  
TIM@ARCHITECTSKT.COM

THE DRAWINGS AND DESIGN SHOWN ARE THE PROPERTY OF ARCHITECTS KURMASKIE & TOLSON ASSOCIATES, INC. THE REPRODUCTION OR USE OF THIS PROPERTY WITHOUT THE WRITTEN CONSENT OF THE ARCHITECT IS PROHIBITED AND ANY INFRINGEMENT OF THESE RIGHTS IS SUBJECT TO LEGAL ACTION.  
COPYRIGHT 2013  
ARCHITECT TIMOTHY KURMASKIE AIA, NCARB



MICHAEL GABRIEL HAUSER, P.E.  
GEORGIA LICENSE: PE038446  
Hauser-Creech, Inc.  
Structural Engineering Consultants

RENOVATION & ADDITION TO:  
**HERITAGE HEALTHCARE OF SAVANNAH**  
12825 WHITE BLUFF ROAD  
SAVANNAH, GA 31419

Project Reference Numbers

HC Project No.: 19-XXX-XXX

Drawn By: RJA

REVISIONS

DATES

PHASE ISSUED

BID SET 04-12-2019

FRAMING DETAILS

SHEET NUMBER

**S5**  
7 OF 8