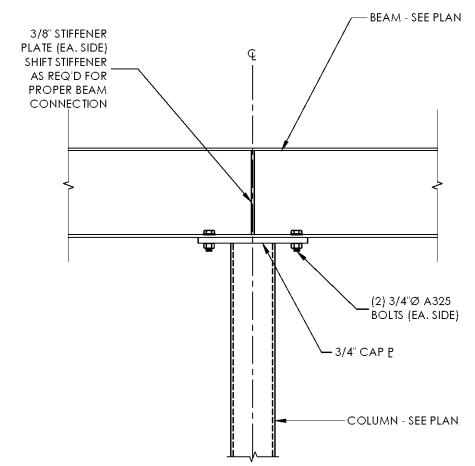
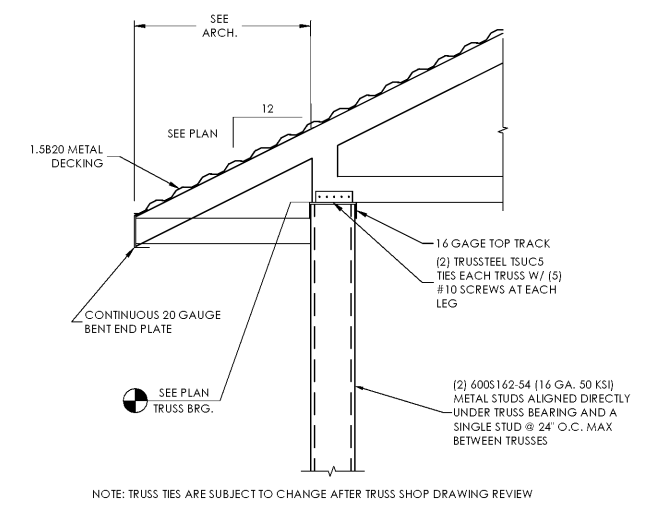


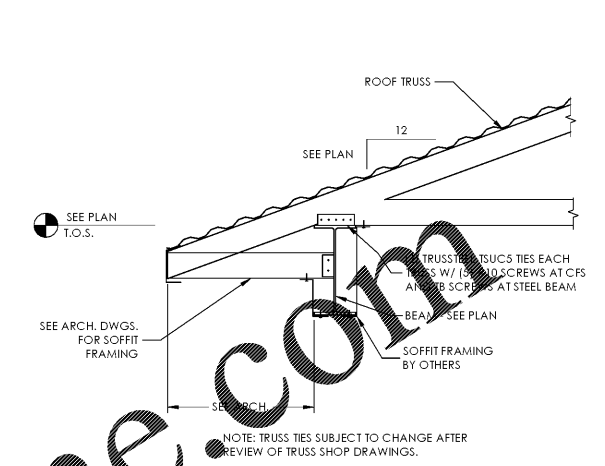
1 BEAM DETAIL @ COLUMN
S-4 SCALE: NONE



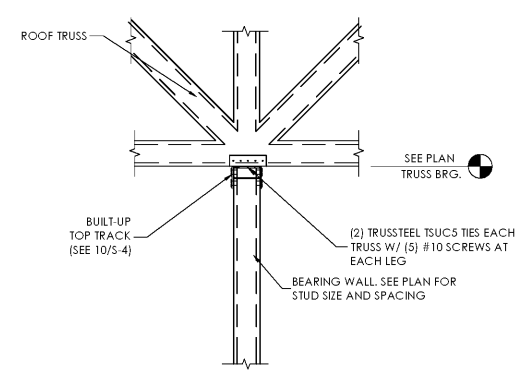
2 BEAM DETAIL @ COLUMN
S-4 SCALE: NONE



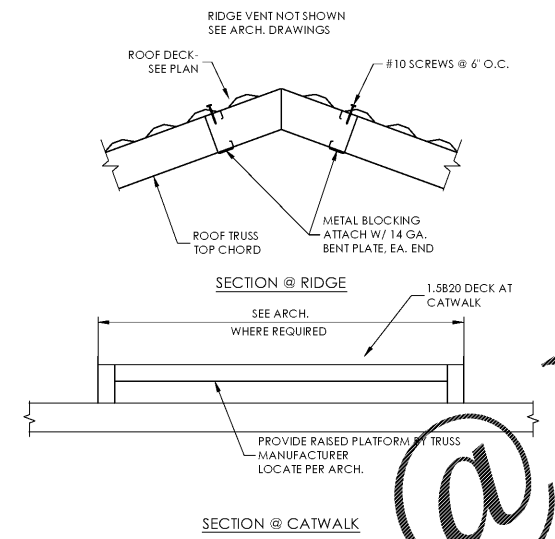
3 PREFAB. TRUSS @ EXT. WALL
S-4 SCALE: NONE



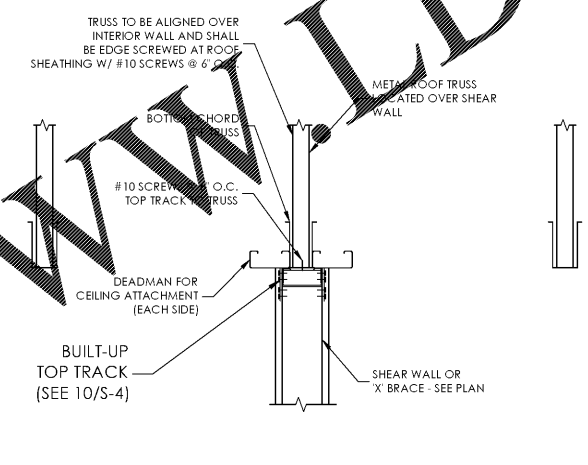
4 PREFAB. TRUSS @ EXT. WALL
S-4 SCALE: NONE



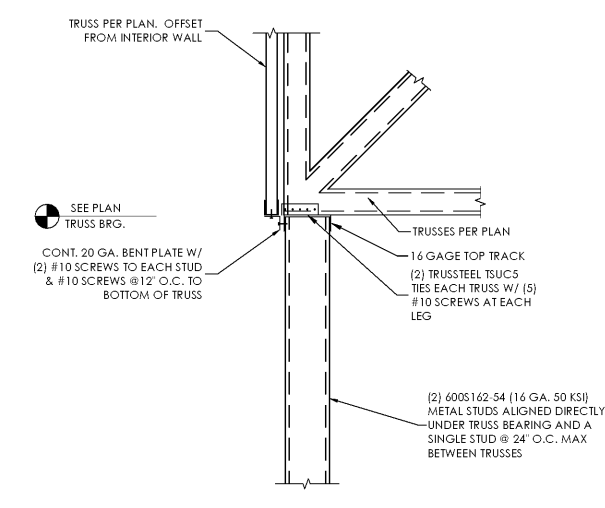
5 SECTION @ INTERIOR TRUSS BEARING
S-4 SCALE: NONE



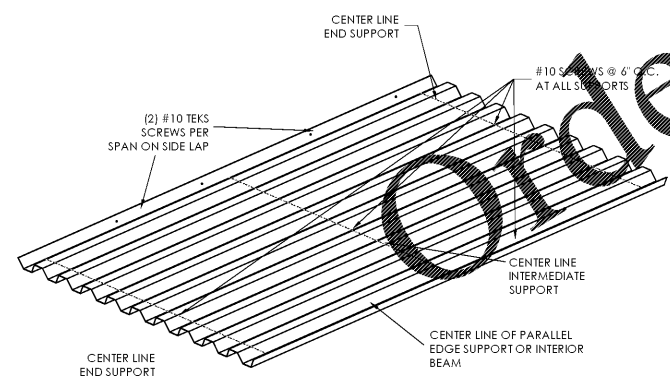
6 SECTION @ RIDGE
S-4 SCALE: NONE



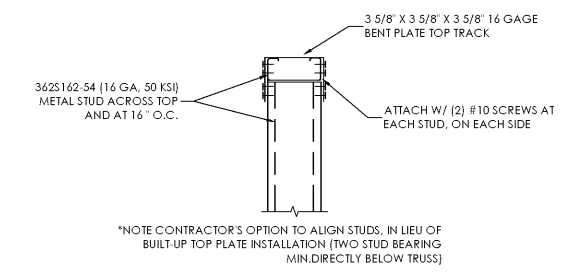
7 SECTION @ "X" BRACING
S-4 SCALE: NONE



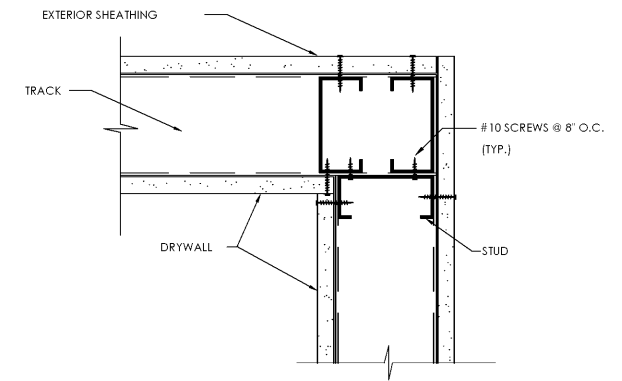
8 SECTION @ WALL
S-4 SCALE: NONE



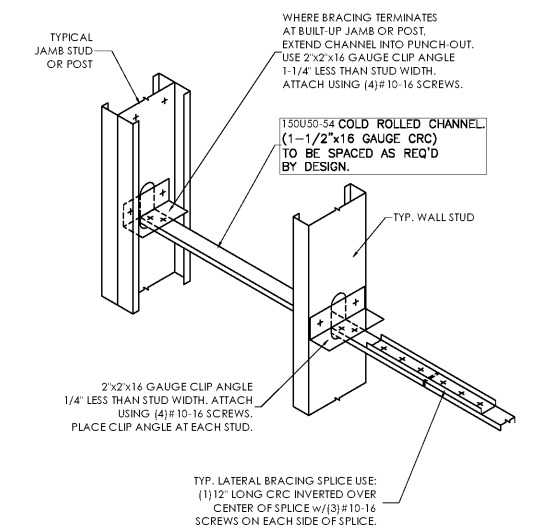
9 DECKING ATTACHMENT DETAIL
S-4 SCALE: NONE



10 BUILT-UP TOP TRACK @ INTERIOR BEARING
S-4 SCALE: NONE



11 CORNER DETAIL
S-4 SCALE: NONE



12 LATERAL WALL BRACING DETAIL
S-4 SCALE: NONE

ARCHITECT
TIMOTHY
KURMASKIE
AIA, NCARB

Building A, Suite 003
1101 HAYNES ST.
RALEIGH, NC 27604
Phone: 919-846-1600
Fax: 919-846-9404
TIM@ARCHITECTSKT.COM

THE DRAWINGS AND DESIGN SHOWN ARE THE PROPERTY OF ARCHITECTS KURMASKIE & TOLSON ASSOCIATES, INC. THE REPRODUCTION OR USE OF THIS PROPERTY WITHOUT THE WRITTEN CONSENT OF THE ARCHITECT IS PROHIBITED AND ANY INFRINGEMENT OF THESE RIGHTS IS SUBJECT TO LEGAL ACTION.
COPYRIGHT 2013
ARCHITECT TIMOTHY KURMASKIE AIA, NCARB



MICHAEL GABRIEL HAUSER, P.E.
GEORGIA LICENSE: PE038446
Hauser-Creech, Inc.
Structural Engineering Consultants

RENOVATION & ADDITION TO:
HERITAGE
HEALTHCARE OF
SAVANNAH
12825 WHITE BLUFF ROAD
SAVANNAH, GA 31419

Project Reference Numbers
HC Project No.: 19-XXX-XXX
Drawn By: RJA

REVISIONS

DATES
PHASE ISSUED
BID SET 04-12-2019

FRAMING DETAILS

SHEET NUMBER
S4
6 OF 8