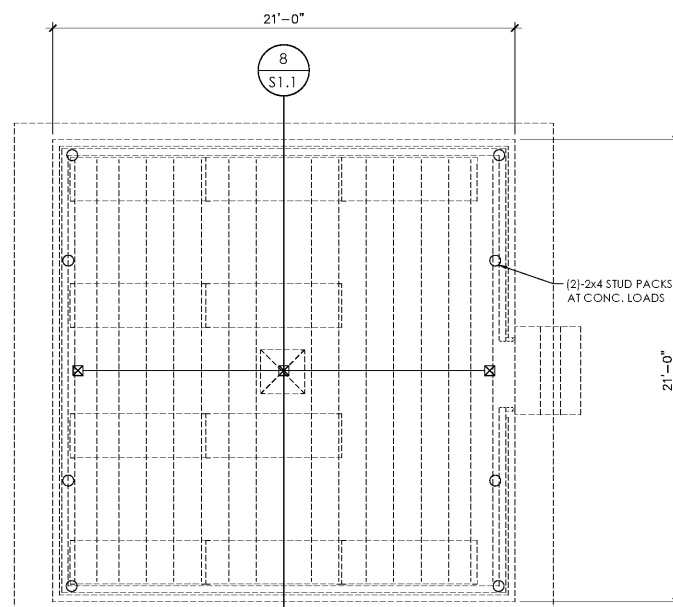
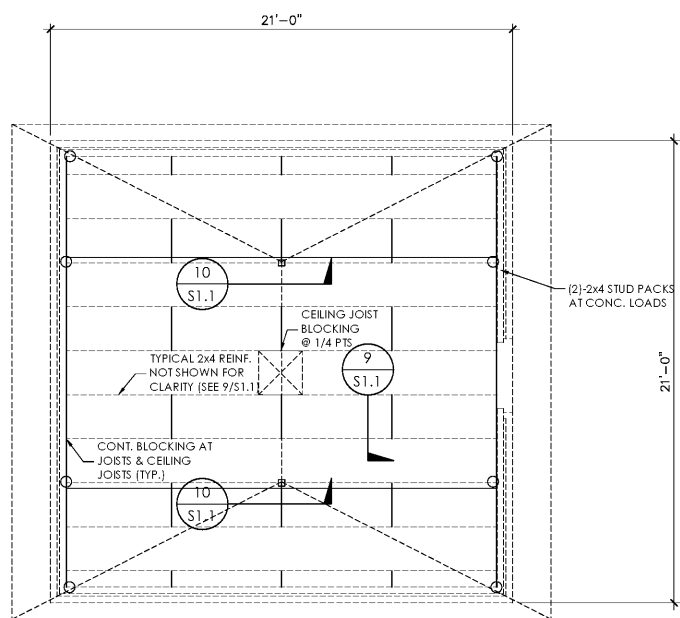


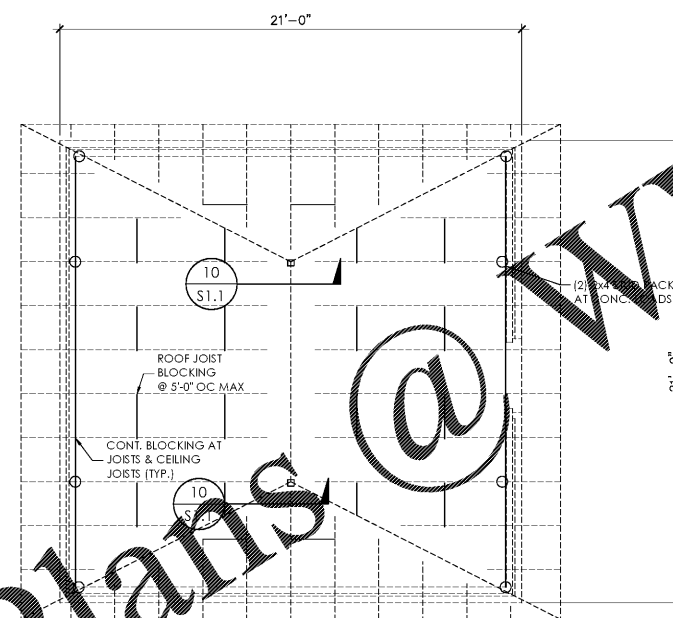
FOUNDATION PLAN
SCALE: 1" = 1/16"



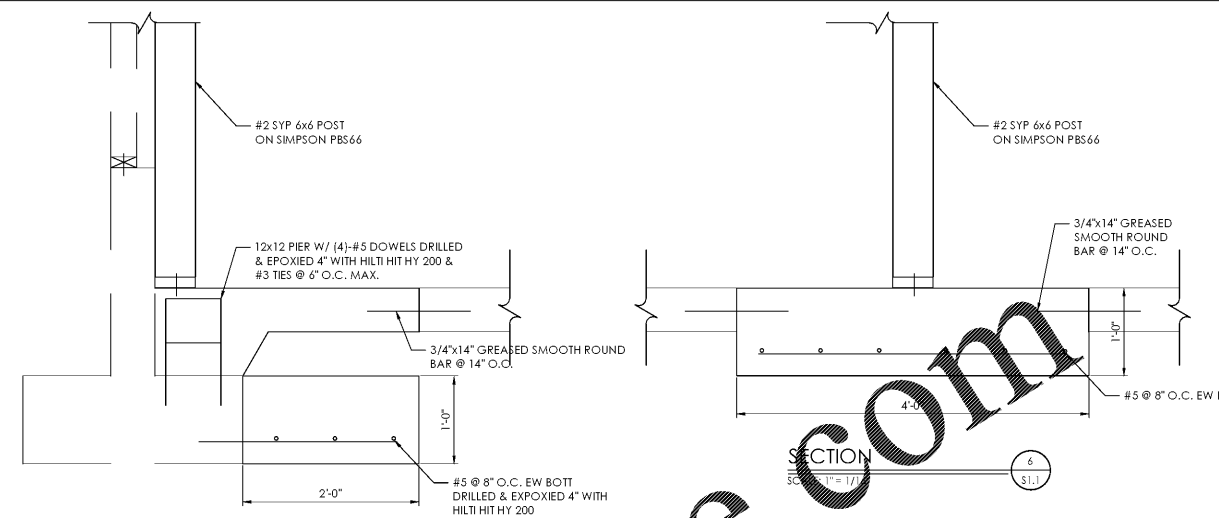
FLOOR PLAN
SCALE: 1" = 1/16"



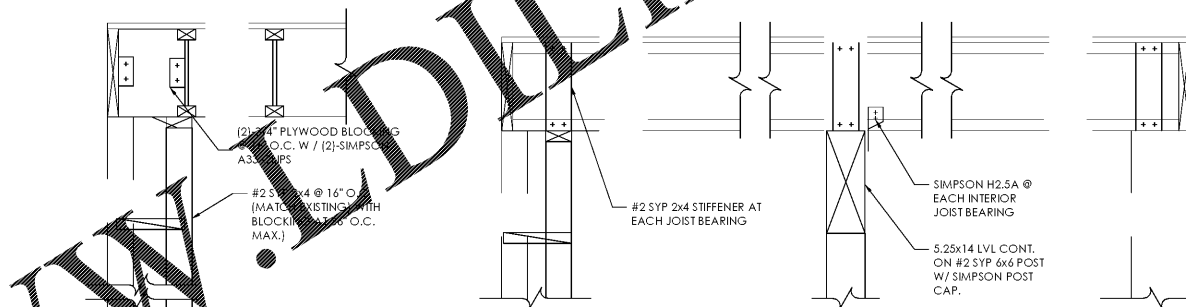
CEILING PLAN
SCALE: 1" = 1/16"



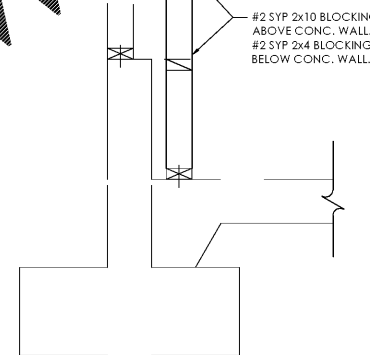
CEILING PLAN
SCALE: 1" = 1/16"



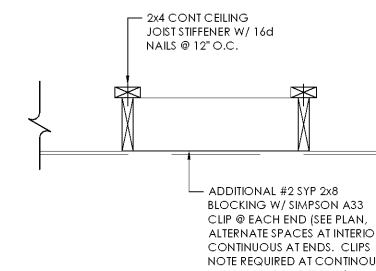
SECTION 5
SCALE: 1" = 1/16"



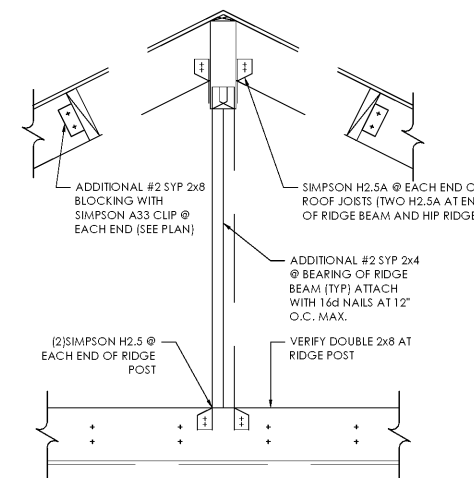
SECTION 6
SCALE: 1" = 1/16"



SECTION 7
SCALE: 1" = 1/16"



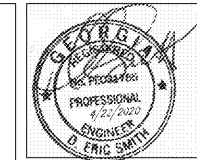
SECTION 8
SCALE: 1" = 1/16"



SECTION 9
SCALE: 1" = 1/16"



SECTION 10
SCALE: 1" = 1/16"



D E SMITH
Engineering & Design
314 Pines Creek Way
Woodstock, Georgia 30189
877-393-3366
www.deengineering.com

for
Beta Design Group
2534-C Royal Place
Tucker, GA 30084

Dacula City Hall Storage Building Improvements
442 Harbins Road
Dacula, Georgia

Print Date	Printing Designation
4/22/2020	Issued for Permit

Rev	Date	Printing Designation

Project Number 2020011	Issue Date 4/22/2020
Sheet Name Structural Improvements	
Sheet Number S.1.1	

Order Plans @ www.DDLine.com