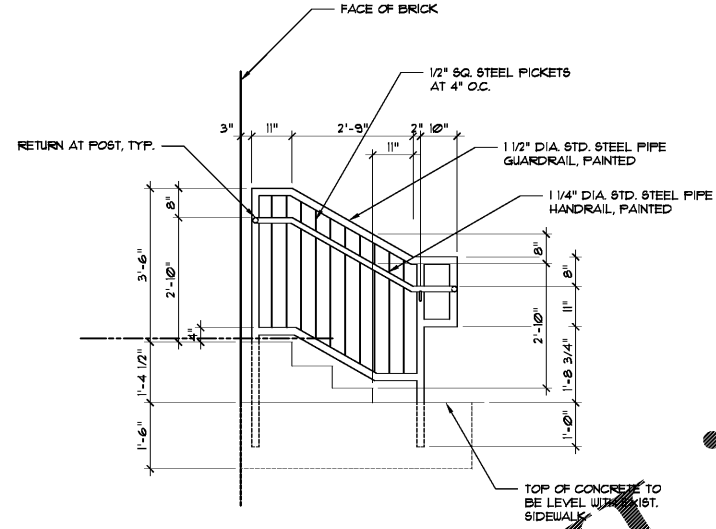


1 GUARDRAIL PLAN

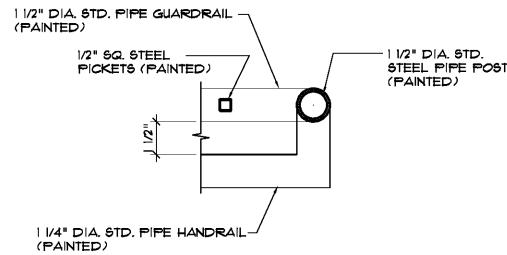
1/2" = 1'-0"



2 GUARDRAIL SECTION

1/2" = 1'-0"

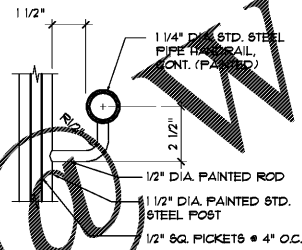
NOTE: PAINT TO BE TYP. COAT ENAMEL COLOR SELECTED BY OWNER.



3 HANDRAIL SECTION

3" = 1'-0"

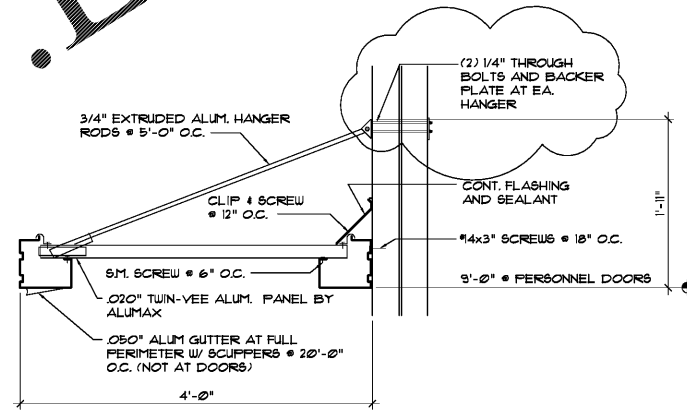
05520ct12



WELDED HANDRAIL CONNECTION DETAIL

3" = 1'-0"

05520ct12



5 CANOPY SECTION

1" = 1'-0"

10530aab

Order Plans

WWW.LDOLINE.COM



Beta Design Group, Inc.
 Architecture
 2534 Royal Place - Suite C - Tucker, GA. 30084
 Phone: 770-491-9250
 Email: mikes@betadesigngroup.com

Client:
McFARLAND - DYER
 4174 SILVER PEAK PARKWAY
 SUWANEE, GEORGIA

Project:
STORAGE BUILDING UPGRADES AT DACULA CITY HALL
 442 HARBINS ROAD
 DACULA, GEORGIA

Issue Date:	Initial:	Drawg.	Revision Description:
05/26/20	E.M.S.	1.	OWNER COMMENTS

Project No.: 2020009
 Drawg. Date: 04/23/20
 Drawg. Revision: 05/26/20
 Drawn By: B.D.C.
 Checked By: E.M.S.
 File Name: 2020009 A-5

Sheet Title:
GUARDRAIL DETAILS

Sheet No.:
A-5

bid set

© BETA DESIGN GROUP, INC. 2020 This drawing may be utilized only for the purpose of constructing or installing the work shown thereon at the site of the work specified. Any other use of this drawing, including without limitation any reproduction or alteration of this drawing, without the prior written approval of Beta Design Group, Inc. is prohibited.