

**Specification For Treated Southern Pine**

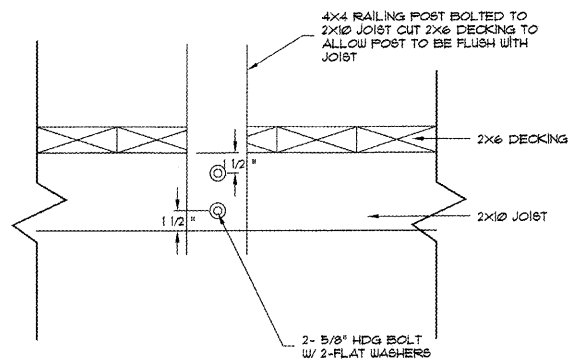
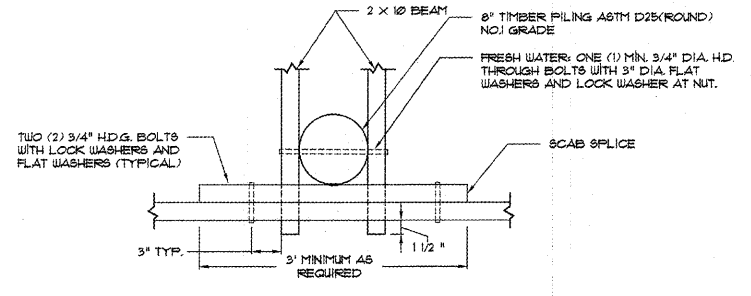
| MEMBER/LOCATION                      | MEMBER SIZE (TYPICAL)      | LUMBER GRADE                                  | USE CATEGORY | SERVICE CONDITIONS/ USE ENVIRONMENT                               | TYPICAL FASTENERS USE IN FRESH WATER ENVIRONMENTS             | PRESERVATIVE RETENTION LEVEL AND TREATMENT | SURFACE TEXTURE |
|--------------------------------------|----------------------------|---|--------------|---|---|--|-----------------|
| TIMBER PILING                        | TYPICALLY 8" MIN. TIP DIA. | ASTM D25 (ROUND), NO. 1, NO. 2 GRADE (SQUARE) | UC4C         | FRESH WATER, (CONTINUOUS EXPOSURE/IMMERSION)                      | H.D.G. BOLTS, NUTS WASHERS AND NAILS                          | 0.80 PCF CCA                               | ROUND PILING    |
| STRINGERS, BAND JOISTS, AND BLOCKING | 2" X 10"                   | NO. 2   | UC4B         | EXTERIOR, GROUND, OR FRESH WATER CONTACT; VERY SEVERE ENVIRONMENT | H.D.G. BOLTS, NUTS, WASHERS, NAILS, AND HURRICANE STRAPS/TIES | .60 PCF CCA 0.31 PCF CA OR .60 PCF ACQ     | S4S             |
| DECKING                              | 2" X 6"                    | NO. 2   | UC4B         | EXTERIOR, GROUND, OR FRESH WATER CONTACT; VERY SEVERE ENVIRONMENT | H.D.G. BOLTS, NUTS, WASHERS, NAILS, AND HURRICANE STRAPS/TIES | .60 PCF CCA 0.31 PCF CA OR .60 PCF ACQ     | S4S             |

1 - Alkaline Copper Quaternary (ACQ) has been found to be significantly more corrosive than other chemical preservatives when in contact with metal fasteners and structural framing components; and is especially corrosive with aluminum fasteners, framing, and roofing material.  
 Fastener note: H.D.G. fasteners are the minimum as recommended for projects in fresh water or mildly brackish water for corrosion resistance; however, at the owner's/developer's discretion, stainless steel (304 or 316) may also be used.  
 Abbreviations: CCA = Chromated Copper Arsenate, CA = Copper Azole, ACQ = Alkaline Copper Quaternary, SS = stainless steel, H.D.G. = hot-dipped galvanized.  
 pcf = pounds of preservative per cubic foot of wood. SBX = Inorganic Boron

**2 PIER DETAIL**  
1/2" = 1'-0"

**3 PIER CONNECTION DETAIL**  
NOT TO SCALE

**4 PIER RAILING POST DETAIL**  
NOT TO SCALE



Order Plans @ [www.WJDLine.com](http://www.WJDLine.com)

| NO. | DATE | DESCRIPTION |
|-----|------|-------------|
|     |      |             |
|     |      |             |
|     |      |             |
|     |      |             |
|     |      |             |

**Travis Pruitt & Associates, Inc.**  
 ASSOCIATES  
 LANDSCAPE ARCHITECTS

4317 Park Drive, Suite 400  
 Norcross, Georgia 30093  
 Phone: (770) 416-7511  
 Fax: (770) 416-8759  
 www.travispruit.com  
 CONTACT PERSON: TED ANDERSON  
 e-mail: Tanderson@travispruit.com

CONSTRUCTION DETAILS  
**FREEDOM PARK PHASE 3**

3301 ROFF AVENUE, MACON, GA 31204 - LAND LOTS 2 AND 3 - 11TH DISTRICT - CITY OF MACON - BIBB COUNTY GEORGIA

For The Firm  
 Travis Pruitt & Associates, Inc.  
 DATE: 02/14/2020  
 SCALE: N/A  
 CN: 190452PN  
 JN: 190452  
 FN: 166-D-038  
**SHEET NO: C6.3**