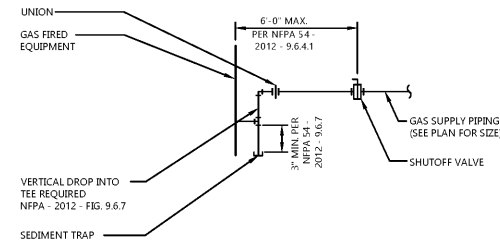
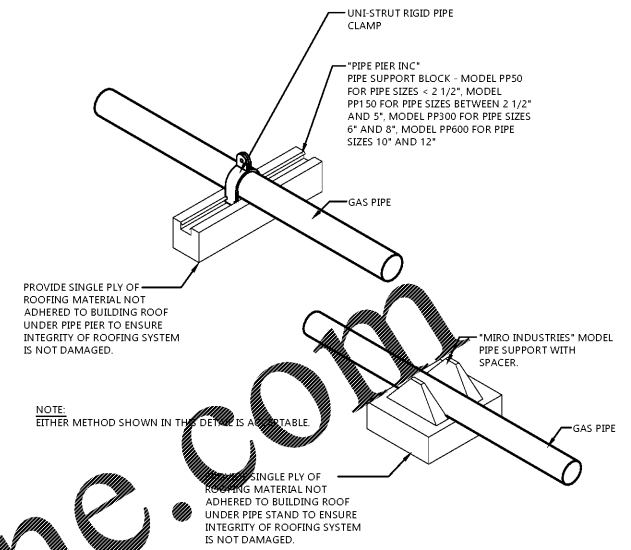


3 ANGLE STOP DETAIL
P3.1 NO SCALE



2 GAS PIPE CONNECTION DETAIL
P3.1 NO SCALE



1 GAS PIPE SUPPORT ON ROOF DETAIL
P3.1 NO SCALE

Order Plans @ www.LDILine.com

EXCEL
ARCHITECTS • ENGINEERS • SURVEYORS
Always a Better Plan
100 Camelot Drive
Fond Du Lac, WI 54935
Phone: (920) 926-9800
www.EXCELENGINEER.com

COLLABORATION
AspenDental

PROJECT INFORMATION

TENANT BUILD-OUT FOR:
ASPEN DENTAL
~12150 FRONTAGE ROAD • MURRELLS INLET, SC 29576

PROFESSIONAL SEAL

SHEET DATES	
ISSUE DATE	MAR. 16, 2020
REVISIONS	

JOB NUMBER
1860160

SHEET NUMBER

P3.1