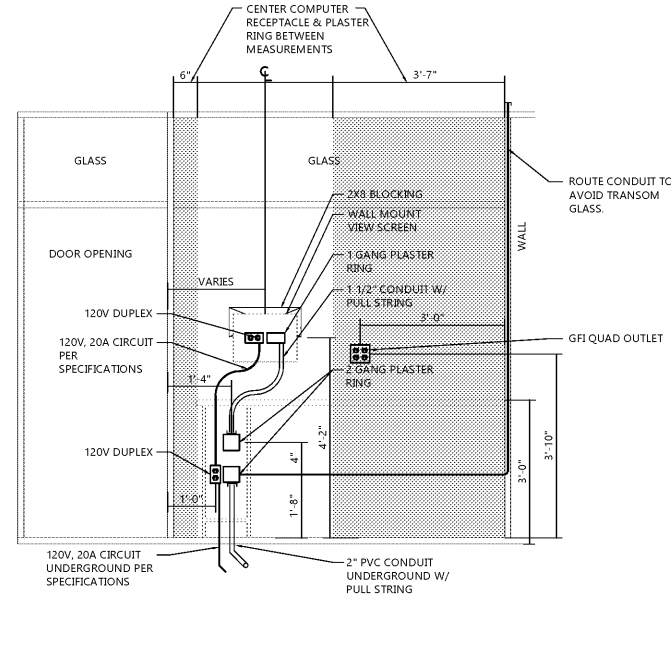
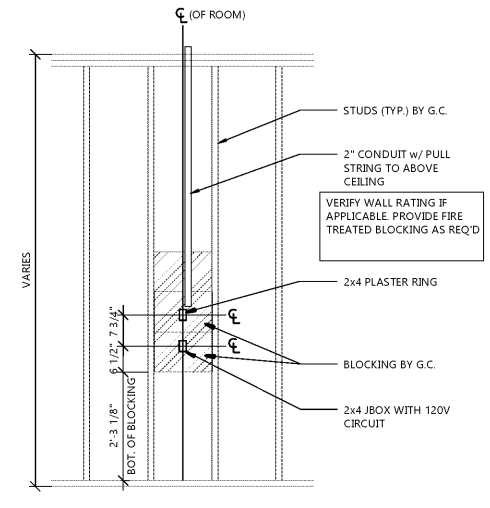


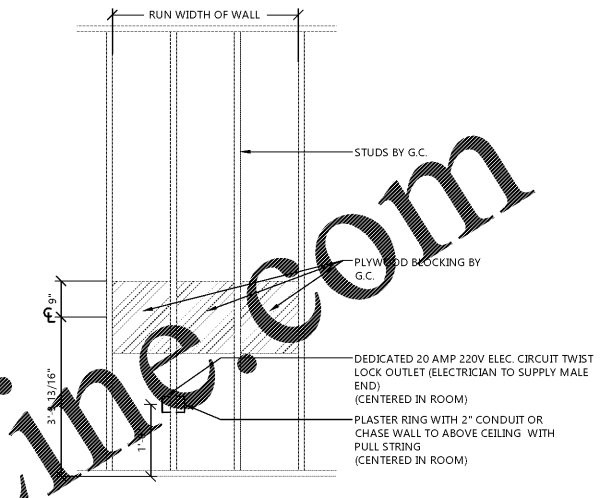
4 TREATMENT ROOM ELEVATION
E2.0 NO SCALE



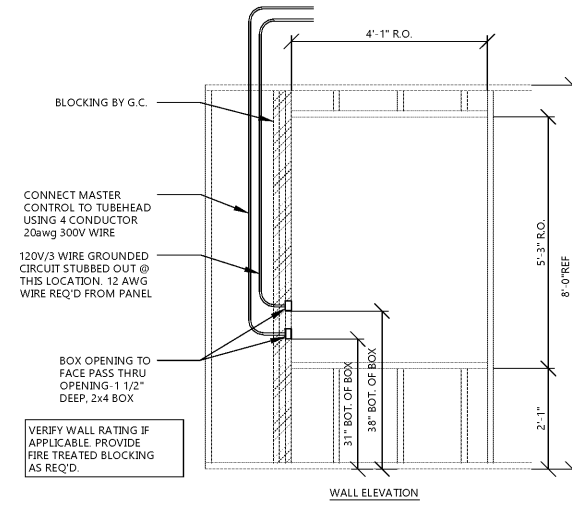
3 TREATMENT ROOM ELEVATION
E2.0 NO SCALE



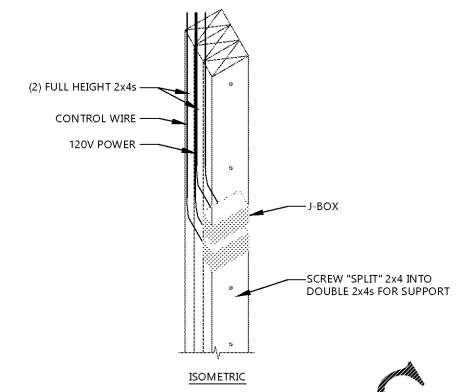
2 CS 2200 X-RAY SUPPORT
E2.0 NO SCALE



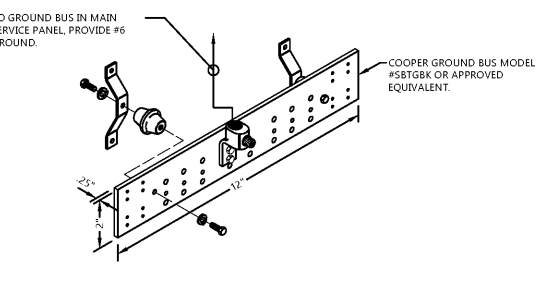
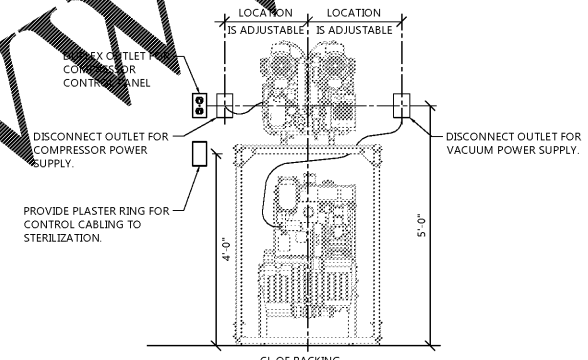
1 PANORAMIC BLOCKING DETAIL
E2.0 NO SCALE



7 PASS THROUGH X-RAY BLOCKING DETAIL
E2.0 NO SCALE

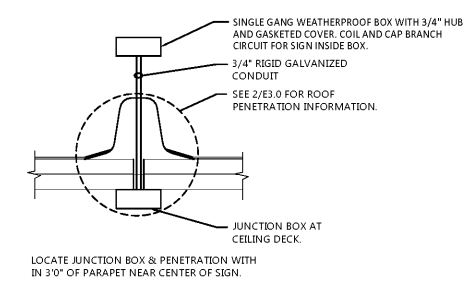


6 COMPRESSOR / VACUUM RACK DETAIL
E2.0 NO SCALE

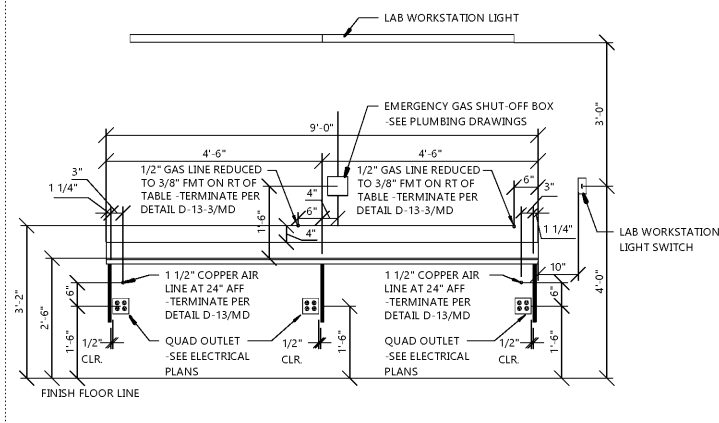


5 TELECOM GROUNDING DETAIL
E2.0 NO SCALE

Order Plans @



9 SIGN J-BOX/ROOF PENETRATION DETAIL
E2.0 NO SCALE



8 LAB WORK STATION
E2.0 NO SCALE

PROJECT INFORMATION

TENANT BUILD-OUT FOR:
ASPEN DENTAL
~12150 FRONTAGE ROAD • MURRELLS INLET, SC 29576

PROFESSIONAL SEAL

SHEET DATES	
ISSUE DATE	MAR. 16, 2020
REVISIONS	

JOB NUMBER
1860160

SHEET NUMBER
E2.0