

LIGHT FIXTURE SCHEDULE							
TYPE	DESCRIPTION	VOLT.	LAMP QTY.	TYPE	TOTAL WATTAGE	MANUFACTURER / CATALOG NO.	REMARKS
LAY-IN TROFFERS							
A	2X2 LED LAY-IN TROFFER	120V	-	LED	35	METALUX / 22EN-LD1-34-UNV-L840-CD1-U	OFCL
DOWNLIGHTS							
B	LED DOWNLIGHT	120V	-	LED	20	HALO / H750T-ML5609840-692SC	OFCL(3)
STRIPLIGHT							
S81	LINEAR LED STRIPLIGHT	120V	-	LED	65	METALUX / 8T5NLED-LD4-755L-LN-UNV-L850-CD1-U / SCF-36-B	OFCL (1)(2)
EMERGENCY/EXIT							
XE	COMBO SINGLE/DOUBLE FACE EXIT W/EM HEADS	120V	-	W/FIXTURE	4	EVENLITE / TCXCOM-2x2-G-U-W	OFCL
R2	EXTERIOR TWINHEAD REMOTE EMERGENCY LAMPS	120V	-	W/FIXTURE	4	EVENLITE / TCXWP2	OFCL
EM1	WALL / CEILING BATTERY EMERGENCY LIGHT	120V	-	W/FIXTURE	4	EVENLITE / TCL-2-W	OFCL

- COORDINATE FIXTURE LOCATIONS, CEILING COMPATIBILITY AND TRIM TYPE WITH ARCHITECT'S REFLECTED CEILING GRID.
MAKE ADJUSTMENTS TO LAYOUT AS REQUIRED.

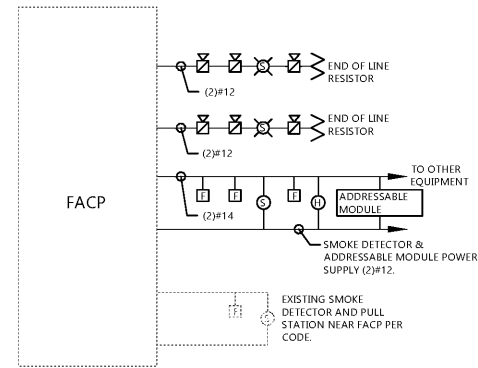
REMARKS:

ALL LIGHT FIXTURES LISTED ON THE SCHEDULE ABOVE WILL BE FURNISHED BY OWNER AND INSTALLED BY E.C.

- (1) PROVIDE CADDY T-GRID BOX HANGER AND 4" BOX FOR MOUNTING. VERIFY STEM LENGTH TO MOUNT BOTTOM OF FIXTURE AT 7'-0" AFF.
- (2) ALL MOUNTING STEMS SUPPLIED BY OWNER.
- (3) LIGHT HOUSING FOR "B" FIXTURE TO BE PROVIDED BY EC. HOUSING TO BE COOPER H750T.

NOTE:

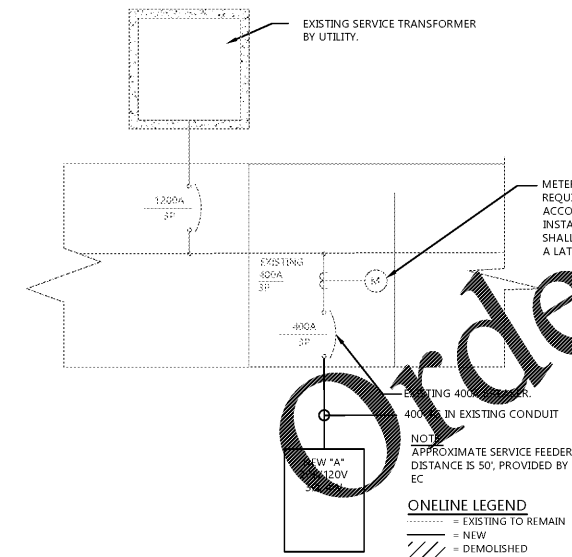
ALL LIGHT FIXTURES LISTED ON THE SCHEDULE ABOVE WILL BE FURNISHED BY OWNER AND INSTALLED BY E.C.
E.C. SHALL PROVIDE ALL NECESSARY MOUNTING ACCESSORIES, HARDWARE HANGARS, SWITCHES, ETC THAT ARE NOT SUPPLIED WITH FIXTURE/DEVICE UNLESS OTHERWISE NOTED IN THE ABOVE SCHEDULE.



NOTES:
- SEE FLOOR PLANS AND SPECIFICATIONS FOR DEVICE QUANTITIES AND EQUIPMENT REQUIRED.
- PROVIDE BOXES FOR ALL DETECTORS PER MANUFACTURERS REQUIREMENTS.

ADDRESSABLE FIRE ALARM SCHEMATIC

NO SCALE



ONLINE DIAGRAM

NO SCALE

3 Ø FEEDER SCHEDULES					
3 WIRE FEEDERS			4 WIRE FEEDERS		
FEEDER DESIGNATION	CONDUIT SIZE(S)	CONDUCTORS & GROUNDING CONDUCTOR(S) SIZES	FEEDER DESIGNATION	CONDUIT SIZE(S)	CONDUCTORS & GROUNDING CONDUCTOR(S) SIZES
20 - 3G	1/2"	(3) #12 & #12 GND	20 - 4G	1/2"	(4) #12 & #12 GND
25 - 3G	3/4"	(3) #10 & #10 GND	25 - 4G	3/4"	(4) #10 & #10 GND
30 - 3G	3/4"	(3) #8 & #10 GND	30 - 4G	3/4"	(4) #8 & #10 GND
35 - 3G	3/4"	(3) #8 & #10 GND	40 - 4G	3/4"	(4) #8 & #10 GND
40 - 3G	3/4"	(3) #6 & #10 GND	45 - 4G	3/4"	(4) #6 & #10 GND
45 - 3G	3/4"	(3) #6 & #10 GND	50 - 4G	1"	(4) #6 & #10 GND
50 - 3G	1"	(3) #4 & #8 GND	60 - 4G	1-1/4"	(4) #4 & #8 GND
60 - 3G	1"	(3) #4 & #8 GND	70 - 4G	1-1/4"	(4) #4 & #8 GND
70 - 3G	1"	(3) #3 & #8 GND	80 - 4G	1-1/4"	(4) #3 & #8 GND
80 - 3G	1-1/4"	(3) #2 & #8 GND	90 - 4G	1-1/4"	(4) #2 & #8 GND
90 - 3G	1-1/4"	(3) #2 & #8 GND	100 - 4G	1-1/4"	(4) #2 & #8 GND
100 - 3G	1-1/4"	(3) #1 & #6 GND	110 - 4G	1-1/2"	(4) #1 & #6 GND
110 - 3G	1-1/4"	(3) #1 & #6 GND	125 - 4G	1-1/2"	(4) #1 & #6 GND
125 - 3G	1-1/4"	(3) #3/0 & #4 GND	200 - 4G	2"	(4) #3/0 & #4 GND
200 - 3G	2"	(3) #4/0 & #4 GND	225 - 4G	2-1/2"	(4) #4/0 & #4 GND
225 - 3G	2"	(3) #4/0 & #4 GND	400 - 4G	3-1/2"	(4) #4/0 & #4 GND
400 - 3G	3"	(3) 500 kcmil & #3 GND			

NOTE: Ground Conductor Size May Be Reduced Based On Overcurrent And/Or Ground Fault Protection Equipment (Nec 250)
NOTE: Conductor Sizes Listed Above Are For Copper.

BRANCH CIRCUIT FEEDER SCHEDULE				
AMP/POLE	CONDUCT.	GND. CONDUCT.	CON.	
15A/1P OR 15A/2P	(2) #12	#12	1/4"	
20A/1P OR 20A/2P	(2) #12	#12	1/2"	
15A/3P OR 20A/3P	(3) #12	#12	1/2"	
25A/1P OR 25A/2P	(2) #10	#10	1/4"	
30A/1P OR 30A/2P	(2) #10	#10	1/4"	
25A/3P OR 30A/3P	(3) #10	#10	1/4"	
35A/1P OR 35A/2P	(2) #8	#8	3/4"	
40A/1P OR 40A/2P	(2) #8	#8	3/4"	
35A/3P OR 40A/3P	(3) #8	#8	3/4"	
45A/1P OR 45A/2P	(2) #6	#6	1"	
45A/3P OR 50A/3P	(3) #6	#6	1"	
50A/1P OR 50A/2P	(2) #6	#6	1"	
50A/3P OR 50A/3P	(3) #6	#6	1"	
60A/1P OR 60A/2P	(2) #4	#4	1-1/4"	
60A/3P OR 60A/3P	(3) #4	#4	1-1/4"	
70A/1P OR 70A/2P	(2) #3	#3	1-1/4"	
70A/3P OR 70A/3P	(3) #3	#3	1-1/4"	
125A/3P	(3) #1	#6	1-1/2"	

PROVIDE BRANCH CIRCUIT FEEDERS AS NOTED ABOVE, UNLESS NOTED OTHERWISE.

PANEL	"A"	AMPS:	400A
Voltage:	208/120V	M.L.O.:	NO
Phase:	3	Main Breaker:	YES
Wire:	4	Main Breaker Size:	400A
A.I.C.:	22,000(1)	Feed Lugs:	NO
Mount:	SURFACE	Feed Lug Size:	-
Bus Type:	COPPER	Ground Bus:	YES

DESCRIPTION	BKR	A	B	C	BKR	DESCRIPTION	
1 LIGHT NIGHT LIGHTS	20/1	920			20/1	RECEP MECH ROOM	2
3 LIGHT CAFE AREA & LABS	20/1		1190		20/1	RECEP MECH ROOM	4
5 LIGHT OFFICES, PUBLIC SPACES, AND B.O.H	20/1			2100	20/1	RECEP PHONE BOARD	6
7 MISC. BATHROOM SINKS, CFC PUMP	20/1	1920			20/1	RECEP BREAK ROOM	8
9 MISC. CLOSET FOR CIRCUIT	20/1		1580		20/1(G)	RECEP BREAK ROOM MW	10
11 RECEP LAB	20/1			1260	20/1(G)	RECEP BREAK ROOM REF	12
13 RECEP LAB REF	20/1	1800			20/1	RECEP HALLWAY / RESTROOM	14
15 RECEP LAB / DAMPER	20/1		1860		20/1	MOTOR HAND DRYER	16
17 RECEP LAB	20/1			1260	20/1	RECEP CONSULTATION / INT. WAITING	18
19 RECEP LAB	20/1	1080			20/1	RECEP RECEPTION / MENS	20
21 RECEP LAB	20/1		1440		20/1	RECEP TREATMENT #7	22
23 RECEP LAB	20/1			1260	20/1	RECEP TREATMENT #7	24
25 RECEP LAB	20/1	900			20/1	RECEP STERILIZATION	26
27 RECEP LAB	20/1		860		20/1	RECEP STERILIZATION CPU	28
29 RECEP LAB	20/1			1260	20/1	RECEP TREATMENT #6	30
31 RECEP LAB	20/1	1440			20/1	RECEP TREATMENT #6	32
33 RECEP LAB	20/1		1800		20/1	RECEP TREATMENT # 5	34
35 RECEP INTRA-ORAL X-RAY	20/1			1800	20/1	RECEP TREATMENT #4	36
37 RECEP TREATMENT #1	20/1	2880			20/1	RECEP PASS-THROUGH X-RAY	38
39 RECEP TREATMENT #2	20/1		2880		20/1	RECEP TREATMENT #3	40
41 RECEP MANAGER / DOCTOR OFFICE	20/1			1520	20/1	RECEP INTRA-ORAL CPU	42
43 MOTOR HAND DRYER	20/1	2500			20/1	MISC INTRA-ORAL X-RAY	44
45 RECEP BUSINESS OFFICE	20/1		960		20/1(G)	RECEP BOTTLE FILLER	46
47 RECEP BUSINESS OFFICE	20/1			1920	20/1	MISC SIGNAGE	48
49 RECEP BUSINESS OFFICE	20/1	1920			20/1	MISC SIGNAGE	50
51 RECEP BUSINESS OFFICE	20/1		1920		20/1	MISC SIGNAGE	52
53 SPARE	20/1	0		0	20/1	SPARE	54
55 SPARE	20/1	0		0	20/1	SPARE	56
57 SPARE	20/1	0		0	20/1	SPARE	58
59 SPARE	20/1	0		0	20/1	SPARE	60
61 SPARE	20/1	0		0	20/1	SPARE	62
63 SPARE	20/1	0		0	20/1	SPARE	64
65 RECEP ROOFTOP	20/1			2040	20/2	MISC WH-1	66
67 HVAC RTAC-1	25/3	3780			/2	MISC	68
69 HVAC	/3		3280		20/2	RECEP PANORAMIC XRAY	70
71 HVAC	/3			3280	/2	RECEP	72
73 HVAC RTAC-2	45/3	5370			20/2	RECEP STERILIZER	74
75 HVAC	/3		5370		/2	RECEP	76
77 HVAC	/3			4185	15/2	MOTOR VACUUM SYSTEM	78
79 HVAC RTAC-3	30/3	3465			/2	MOTOR	80
81 HVAC	/3		4460		30/2	MOTOR AIR COMPRESSOR	82
83 HVAC	/3			4460	/2	MOTOR	84

TOTAL VA PER PHASE	27975	27600	26345
TOTAL CONNECTED	81.9	KVA	227.6
TOTAL DIVERSIFIED	75.9	KVA	210.5
		AMPERES	

(1) CONTRACTOR SHALL VERIFY AVAILABLE FAULT CURRENT PRIOR TO ORDERING EQUIPMENT
(2) DENOTES CIRCUIT EXISTING WITH WIRES COILED IN VICINITY OF PANELBOARD.
- G SUFFIX DENOTES GFI TYPE BREAKER
E.C SHALL MAKE FINAL TERMINATION ONCE PANELBOARD IS INSTALLED.

LEGEND

NOTE: ALL SYMBOLS SHOWN MAY NOT APPEAR ON DRAWINGS. ALL MOUNTING HEIGHTS ARE TYPICAL UNLESS OTHERWISE NOTED.

SYM.	IDENTIFICATION	SYM.	IDENTIFICATION
LIGHTING			
○	RECESSED, SURFACE, OR PENDANT MOUNTED LIGHT FIXTURE	□	EMERGENCY LIGHT WALL MOUNTED
○	WALL MOUNTED LIGHT FIXTURE. MOUNT 7'-0" AFF OR 8" ABOVE MIRROR	□	RECESSED EMERGENCY LIGHT
○	RECESSED, SURFACE MOUNTED, OR CHAIN HUNG LIGHT FIXTURE	⊗	EXIT LIGHT
○	PENDANT FIXTURE	⊗	OCCUPANCY SENSOR
□	EXTERIOR WALL MOUNTED OR INTERIOR WALL WASH FIXTURE	⊗	WALL MOUNTED OCCUPANCY SENSOR WITH SWITCH
□	SINGLE HEAD POLE MOUNTED FIXTURE	⊗	DUAL LEVEL/CIRCUIT OCCUPANCY SENSOR WITH SWITCH
□	DOUBLE HEAD POLE MOUNTED FIXTURE	□	PHOTO CONTROL
WIRING DEVICES			
⊗	SINGLE POLE SWITCH. MOUNT 46" AFF TO CENTER. 3 = 3 WAY, 4 = 4 WAY, P = PILOT, D = DIMMER, K = KEVED	MW	DUPLEX RECEPTACLE MOUNT IN CABINET BEHIND MOUNT 18" AFF TO CENTER
⊗	DUAL LEVEL SWITCH. MOUNT 46" AFF TO CENTER SEE DETAIL	⊗	RECESSED RECEPTACLE. MOUNT 46" AFF TO CENTER
⊗	LOW VOLTAGE SWITCH. MOUNT 46" AFF TO CENTER	⊗	SWITCH BOTTOM HALF OF RECEPTACLE, TOP HALF UNSWITCHED
⊗	SIMPLEX RECEPTACLE MOUNT 18" AFF TO CENTER	⊗	SPECIAL OUTLET
⊗	DUPLEX RECEPTACLE MOUNT 46" AFF TO CENTER	⊗	JUNCTION BOX
⊗	DOUBLE DUPLEX RECEPTACLE MOUNT 18" AFF TO CENTER	⊗	COMBINATION FLOOR OUTLET/BLANK JUNCTION BOX - WIREMOLD - RESOURCE RFB/SERIES OR EQUIVALENT, 1" C STUB INTO ACCESSIBLE SPACE
⊗	DUPLEX RECEPTACLE MOUNT 18" AFF TO CENTER. NO BACKSLASH. MOUNT 46" ABOVE COUNTER	⊗	BLANK BOX 4" EXTRA DEEP BOX, SINGLE GANG RING, BLANKPLATE, 1" C STUB INTO ACCESSIBLE SPACE, MOUNT 18" AFF TO CENTER
⊗	DUPLEX RECEPTACLE SURFACE MOUNTED. FLR. DOOR MOUNTED. CLG = CEILING OFFSET MOUNTED	⊗	ABOVE COUNTER BLANK BOX, 4" EXTRA DEEP BOX, SINGLE GANG RING, BLANKPLATE, 1" C STUBBED INTO ACCESSIBLE SPACE, MOUNT 6" ABOVE BACKSLASH TO CENTER
MOTORS / MOTOR CONTROL / EQUIPMENT			
⊗	DISCONNECT FURNISHED BY EC F = FUSIBLE	MS	MANUAL STARTER
⊗	NON-COMBINATION STARTER	⊗	MOTOR CONNECTION
⊗	COMBINATION STARTER	⊗	MOTOR CONNECTION REQUIRING REMOTE STARTER/VFD
⊗	SURFACE MOUNTED PANELBOARD	⊗	EQUIPMENT CONNECTION
⊗	RECESSED PANELBOARD	⊗	SURFACE MOUNTED RACEWAY
FIRE ALARM / LIFE SAFETY			
⊗	STROBE. MOUNT 84" AFF TO TOP OR 6" BELOW CEILING WHICHEVER IS LOWER	M	MAGNETIC DOOR HOLDER
⊗	SPEAKER. CEILING MOUNTED W = WALL MOUNTED	FS	SPRINKLER FLOW SWITCH
⊗	HORN/STROBE. MOUNT 84" AFF TO TOP OR 6" BELOW CEILING WHICHEVER IS LOWER	TS	SPRINKLER TAMPER SWITCH
⊗	SPEAKER/STROBE. MOUNT 84" AFF TO TOP OR 6" BELOW CEILING WHICHEVER IS LOWER	B	SPRINKLER BELL
⊗	HORN (SOUNDER). MOUNT 84" AFF TO TOP OR 6" BELOW CEILING WHICHEVER IS LOWER	FACP	FIRE ALARM CONTROL PANEL
F	PULL STATION. MOUNT 46" AFF TO CENTER	FAA	FIRE ALARM ANNUNCIATOR PANEL
H	HEAT DETECTOR	ARS	AREA OF REFUGE STATION
S	SMOKE DETECTOR	ARL	AREA OF REFUGE LIGHTING
SD	DUCT SMOKE DETECTOR	ARM	AREA OF REFUGE MASTER PANEL
SE	ELEVATOR SMOKE DETECTOR	ELM	ELEVATOR LANDING MASTER PANEL
SEB	SMOKE DETECTOR WITH SOUNDER BASE	ELS	ELEVATOR LANDING STATION
CO	CARBON MONOXIDE DETECTOR		
MISCELLANEOUS			
⊗	CONDUIT STUB THROUGH WALL BUSHED EACH END	⊗	PUSHBUTTON, PROVIDE JUNCTION BOX AND CONDUIT, MOUNT AT SWITCH HEIGHT
⊗	CONDUIT WITH BUSHING ON END.	⊗	GROUND ROD
⊗	ELECTRICAL HOMERUN, CIRCUIT AS SHOWN	⊗	EXO-THERMIC WELD CONNECTION
PNL-X	SHARED ELECTRICAL HOMERUN WHEN WIRE TAG HAS () A SUFFIX PRECEDING PANEL-CIRCUIT INFO	⊗	NURSE CALL DOME LIGHT
⊗	ITEMS AND/OR DEVICES CIRCUITED TOGETHER	⊗	NURSE CALL PULL CORD
⊗	ITEMS AND/OR DEVICES CIRCUITED TOGETHER, BUT SWITCHED SEPARATELY	⊗	DETAIL OR SECTION NUMBER SHEET NUMBER
ABBREVIATIONS			
AC	ABOVE COUNTER	HC	HVAC CONTRACTOR
AFF	ABOVE FINISHED FLOOR	IG	ISOLATED GROUND
AFG	ABOVE FINISHED GRADE	IMP	INSULATED METAL PANEL
BZ	BUG ZAPPER	LCP	LIGHTING CONTROL PANEL
DISC	DISCONNECT	NL	NIGHT LIGHT
DW	DISHWASHER	NTS	NOT TO SCALE
EC	ELECTRICAL CONTRACTOR	OC	ON CENTER
ELEV	ELEVATION	PC	PLUMBING CONTRACTOR
EM	EMERGENCY	PNL	PANELBOARD
ETR	EXISTING TO REMAIN	REF	REFRIGERATOR
EWV	ELECTRIC WATER COOLER	UC	UNDER COUNTER
FF	FOOT FOAMER	3R	NEMA 3R
FPC	FIRE PROTECTION CONTRACTOR	4X	NEMA 4X
GC	GENERAL CONTRACTOR/CONSTRUCTION MANAGER	WT	WATER TIGHT
GDSP	GARBAGE DISPOSAL	XFMR	TRANSFORMER
GFI	GROUND FAULT CIRCUIT INTERRUPTER	MOD	MOTOR OPERATED DAMPER
FIRE RATED WALLS			
⊗	FIRE - 1 HOUR	⊗	FIRE - 3 HOUR
⊗	FIRE - 2 HOUR	⊗	FIRE - 4 HOUR
COMMUNICATION			
⊗	TELEPHONE OUTLET, 1" C STUB INTO ACCESSIBLE SPACE, MOUNT 18" AFF TO CENTER W = WALL MOUNT 52" AFF TO CENTER	⊗	CEILING MOUNTED SPEAKER
⊗	DATA OUTLET, 1" C STUB INTO ACCESSIBLE SPACE, MOUNT 18" AFF TO CENTER X = NUMBER OF DATA DROPS PER BOX	⊗	WALL MOUNTED SPEAKER
⊗	COMBINATION TELEPHONE/DATA, 1" C STUB INTO ACCESSIBLE SPACE, MOUNT 18" AFF TO CENTER	⊗	TELEVISION OUTLET MOUNT 18" AFF TO CENTER
⊗	LOCAL VOLUME CONTROL		

ELECTRICAL LEGEND, GENERAL SCHEDULES & ONLINE

EXCEL
ARCHITECTS • ENGINEERS • SURVEY