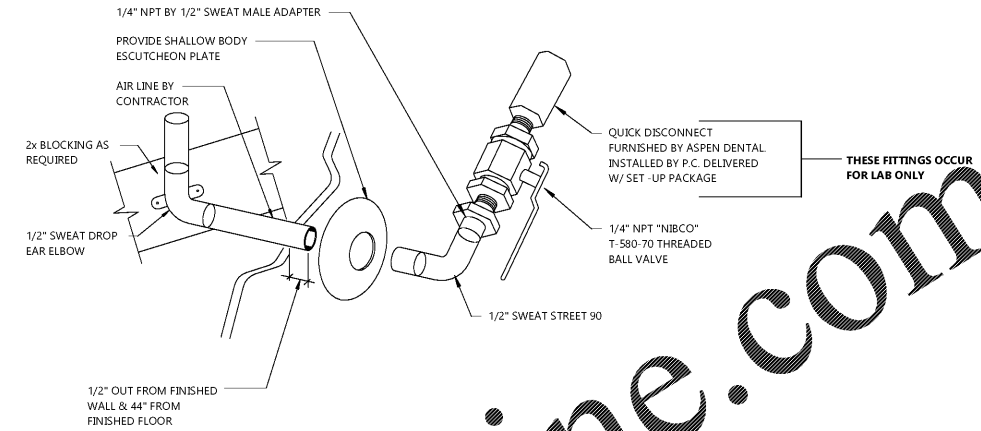
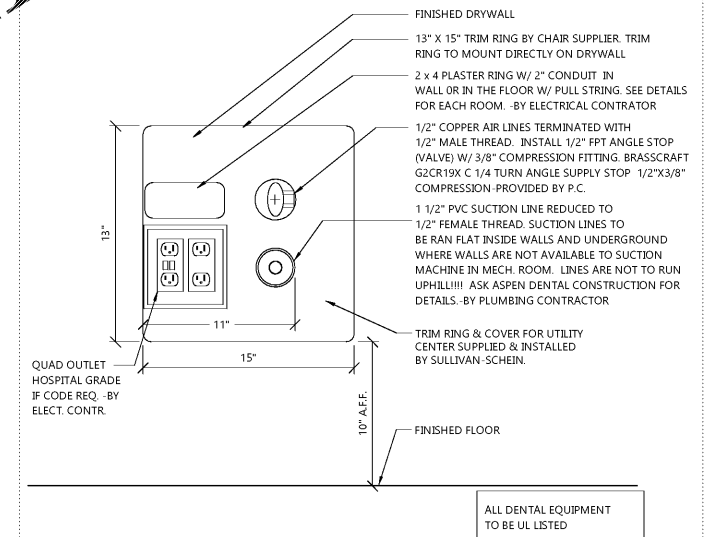


2 SLAB LEAVE OUT @ FLOOR DRAIN DETAIL
MD.1 NOT TO SCALE



1 AIR VALVE
MD.1 NOT TO SCALE



3 WALL UTILITY CENTER
MD.1 NOT TO SCALE

Order Plans @ www.LDILine.com

PROJECT INFORMATION

TENANT BUILD-OUT FOR:
ASPEN DENTAL
~12150 FRONTAGE ROAD • MURRELLS INLET, SC 29576

PROFESSIONAL SEAL

SHEET DATES

SHEET ISSUE MAR. 16, 2020

REVISIONS

JOB NUMBER

1860160

SHEET NUMBER

MD.1