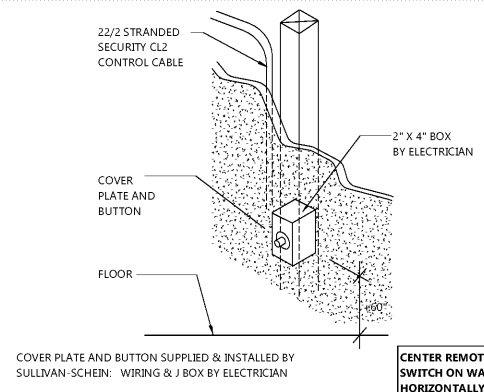


HEAD CONTROL PROVIDED AND INSTALLED BY SULLIVAN-SCHEIN

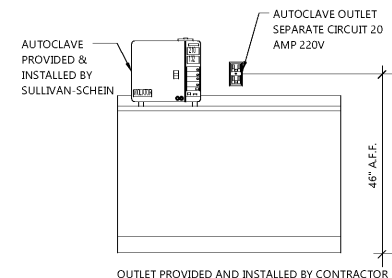
4 X-RAY HEAD CONTROL
MD NOT TO SCALE



COVER PLATE AND BUTTON SUPPLIED & INSTALLED BY SULLIVAN-SCHEIN. WIRING & J BOX BY ELECTRICIAN

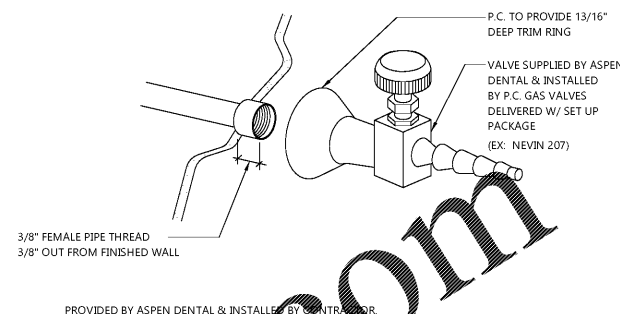
CENTER REMOTE SWITCH ON WALL HORIZONTALLY

3 X-RAY REMOTE SWITCH
MD NOT TO SCALE



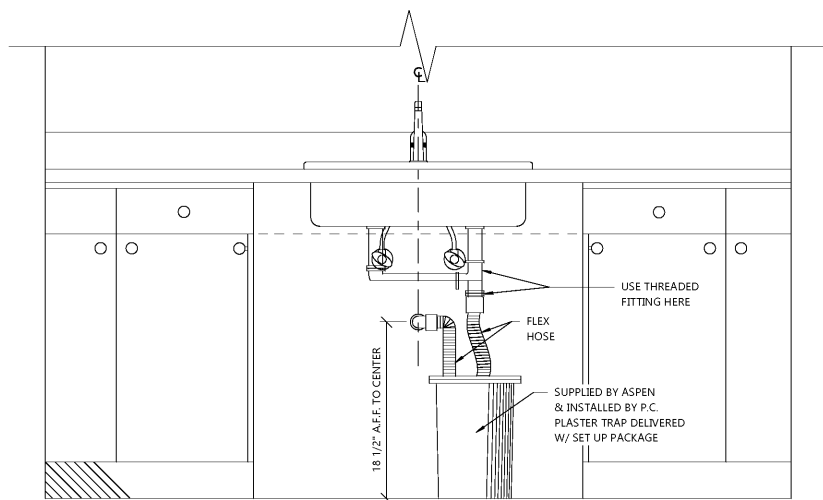
OUTLET PROVIDED AND INSTALLED BY CONTRACTOR

2 AUTOCLAVE OUTLET
MD NOT TO SCALE



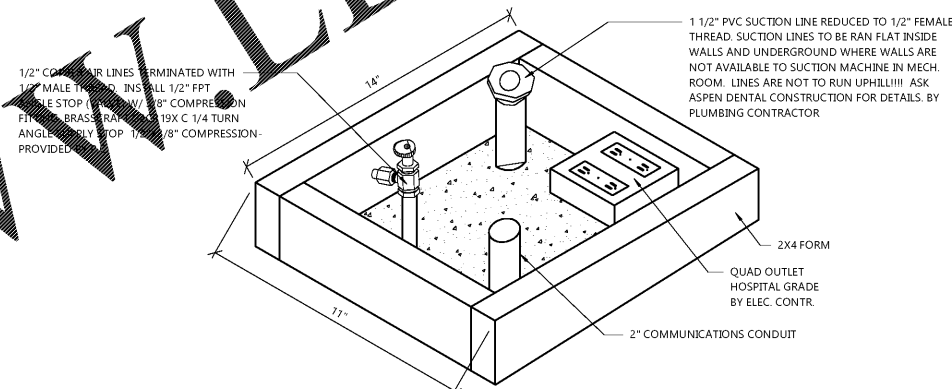
PROVIDED BY ASPEN DENTAL & INSTALLED BY CONTRACTOR

1 LAB GAS VALVE
MD NOT TO SCALE

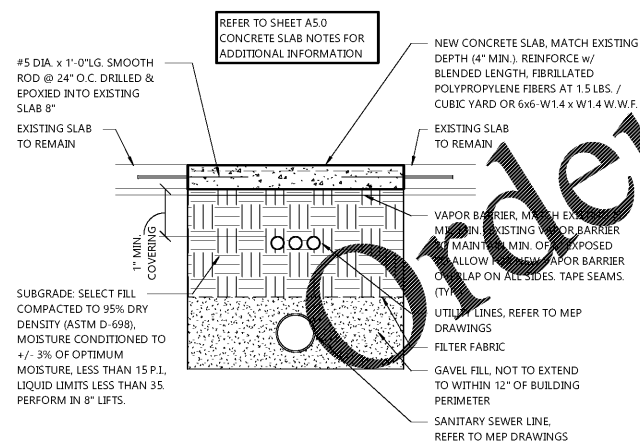


FRONT VIEW

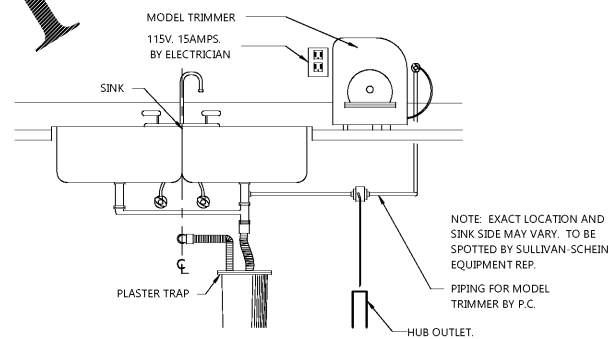
6 PLASTER TRAP
MD NOT TO SCALE



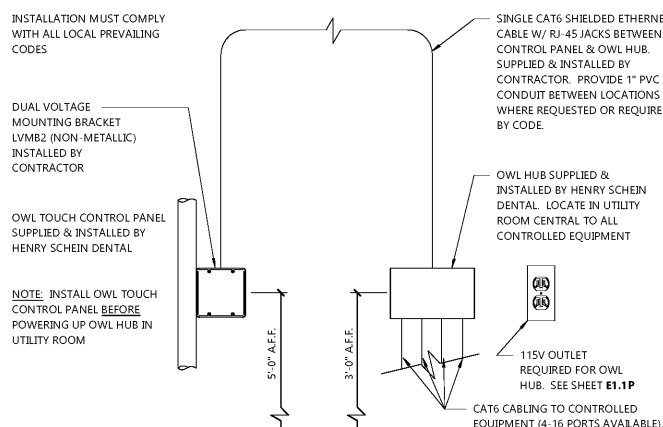
5 FLOOR BOX DETAIL
MD NOT TO SCALE



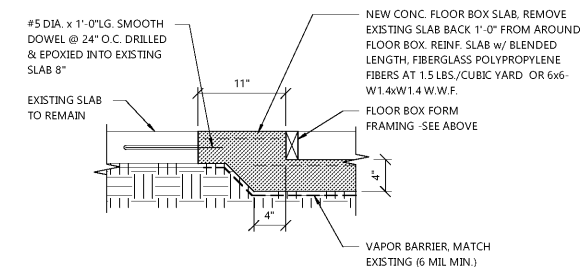
10 TRENCH DETAIL
MD NOT TO SCALE



9 MODEL TRIMMER
MD NOT TO SCALE



8 RAMVAC "OWL TOUCH" CONT. PANEL
MD NOT TO SCALE



7 FLOOR BOX SLAB DETAIL
MD NOT TO SCALE

PROJECT INFORMATION

TENANT BUILD-OUT FOR:
ASPEN DENTAL
~12150 FRONTAGE ROAD • MURRELLS INLET, SC 29576

PROFESSIONAL SEAL

SHEET DATES

SHEET ISSUE MAR. 16, 2020

REVISIONS

JOB NUMBER

1860160

SHEET NUMBER

MD