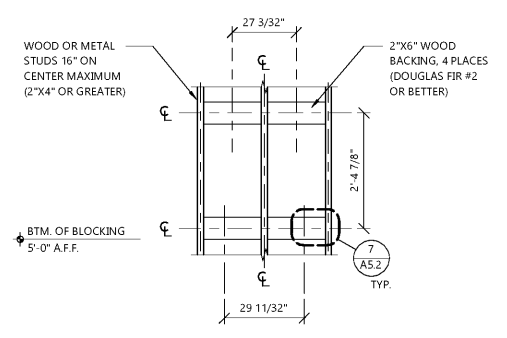
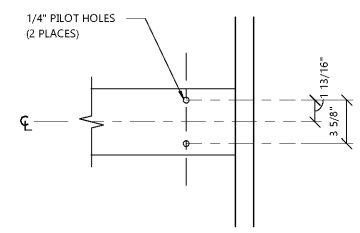


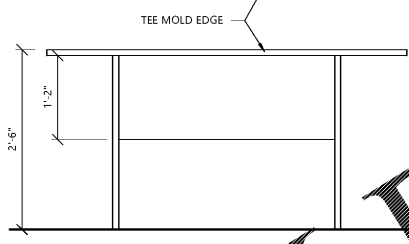
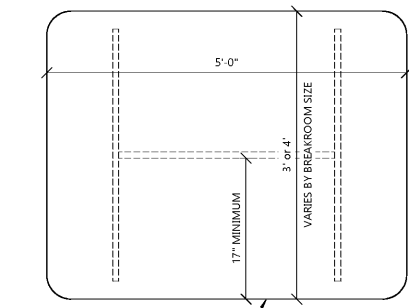
Order Plans @ www.LDILine.com



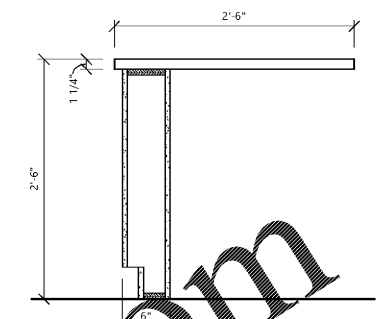
6 BLOCKING DETAIL
A5.2 NOT TO SCALE



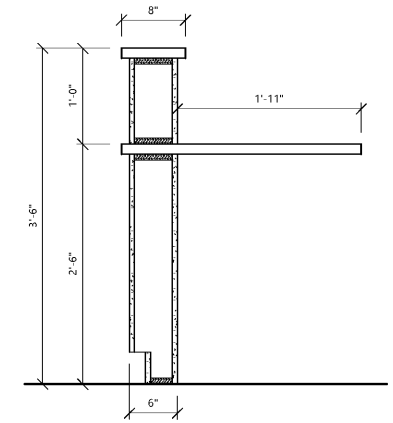
7 BLOCKING DETAIL
A5.2 NOT TO SCALE



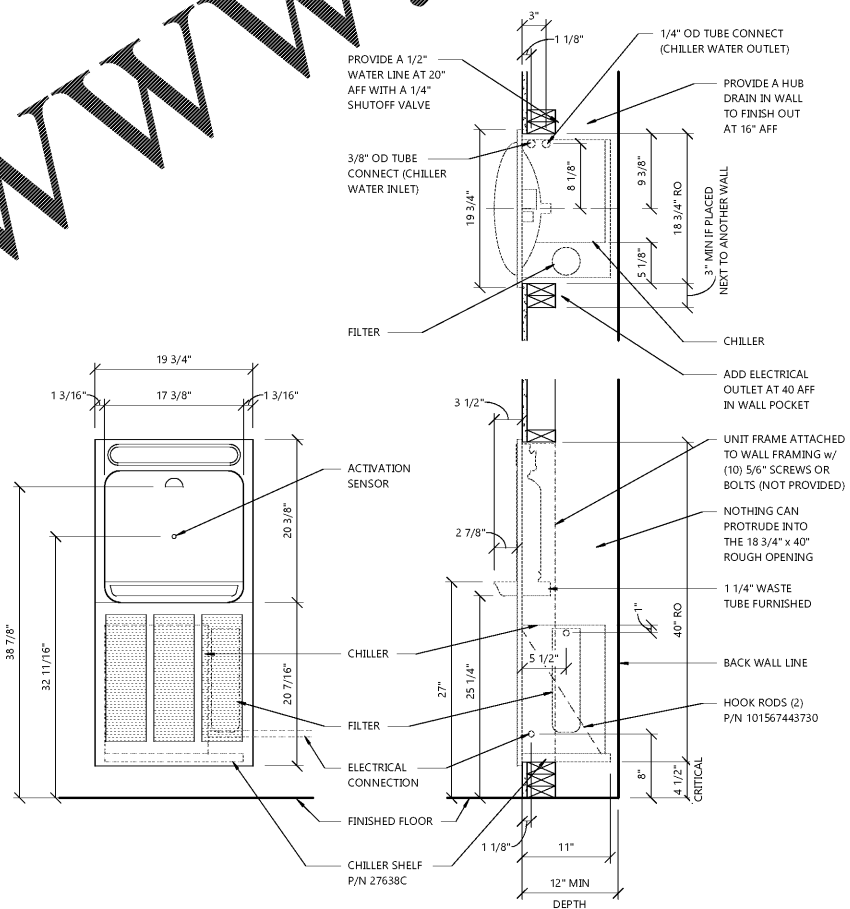
4 BREAK ROOM TABLE
A5.2 NOT TO SCALE



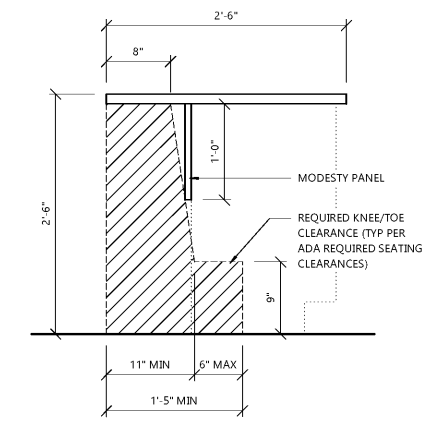
1 RECEPTION ACCESS. CHECK-IN
A5.2 NOT TO SCALE



2 RECEPTION STAND UP CHECK-IN
A5.2 NOT TO SCALE



5 BOTTLE FILLING STATION DETAIL
A5.2 NOT TO SCALE



3 BUSINESS OFFICE SIT DOWN CHECK-OUT
A5.2 NOT TO SCALE

PROJECT INFORMATION

TENANT BUILD-OUT FOR:
ASPEN DENTAL
~12150 FRONTAGE ROAD • MURRELLS INLET, SC 29576

PROFESSIONAL SEAL

SHEET DATES

SHEET ISSUE MAR. 16, 2020

REVISIONS

NO.	DESCRIPTION

JOB NUMBER

1860160

SHEET NUMBER

A5.2