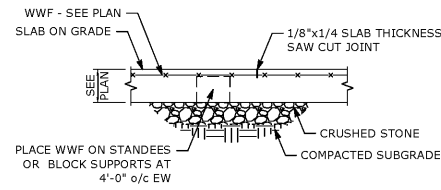
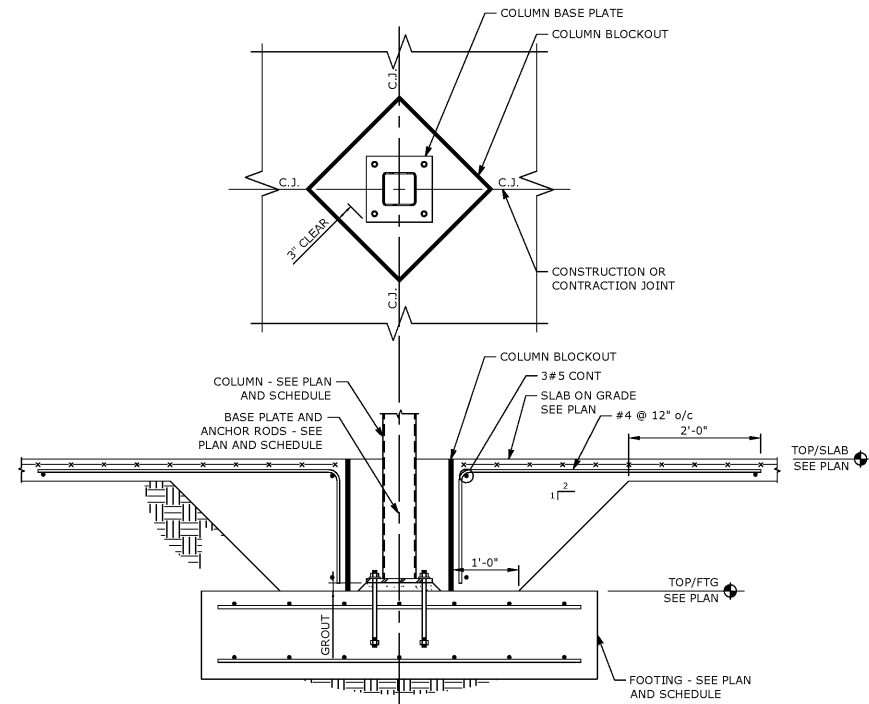


CONSTRUCTION JOINT

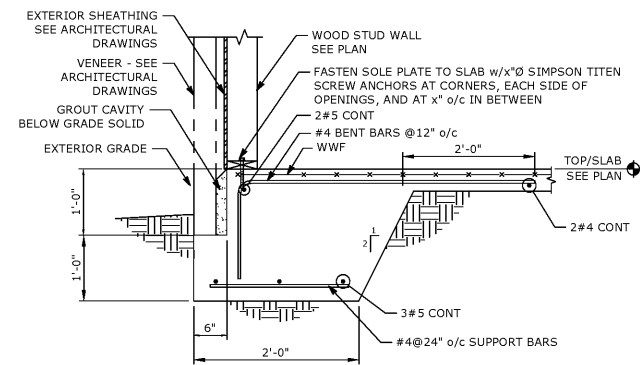


CONTRACTION JOINT

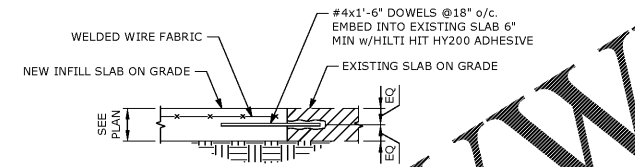
SECTION 1
 TYPICAL SLAB ON GRADE AT JOINTS
 SCALE: 3/4" = 1'-0"
 S4



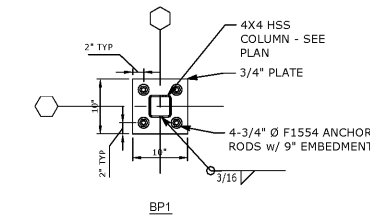
SECTION 4
 TYPICAL INTERIOR STEEL COLUMN AND ISOLATED FOOTING
 SCALE: N.T.S.
 S4



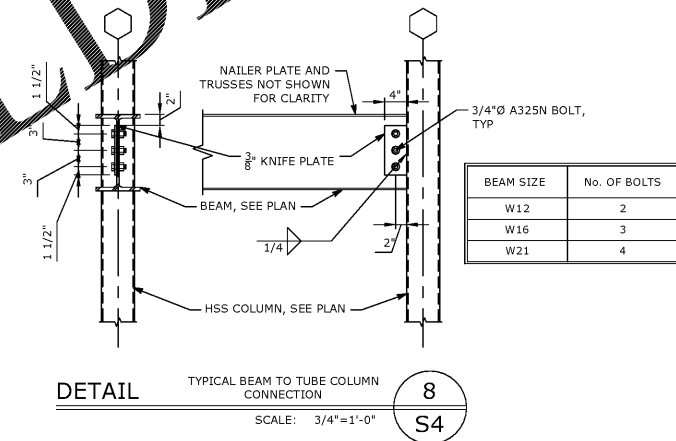
SECTION 2
 TYPICAL EXTERIOR WOOD STUD WALL ON TURNDOWN
 SCALE: 3/4" = 1'-0"
 S4



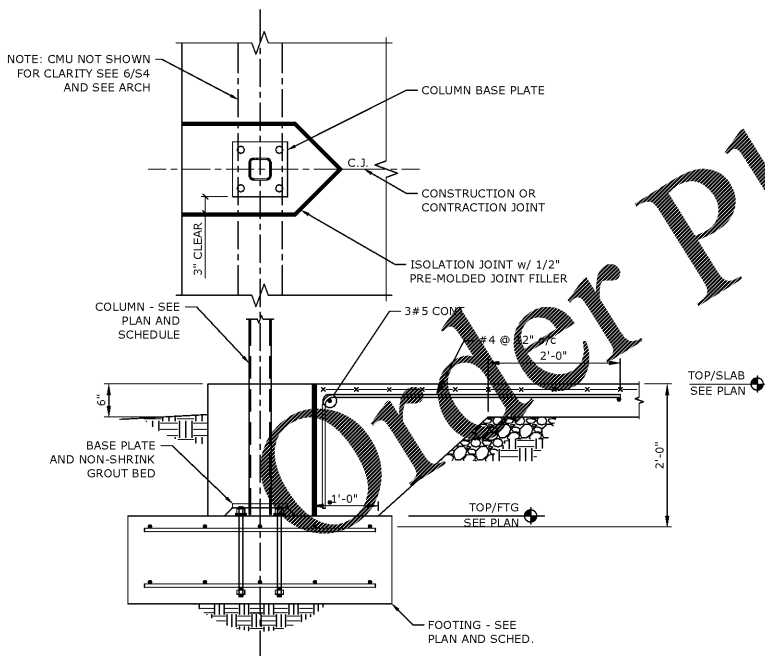
SECTION
 TYPICAL SLAB JOINT AT EXISTING SLAB ON GRADE
 SCALE: 3/4" = 1'-0"
 S4



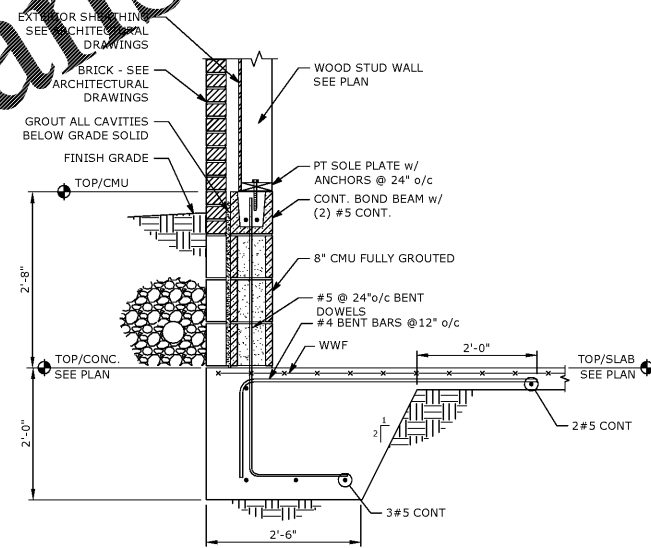
DETAIL
 HSS COLUMN BASE PLATE DETAIL
 SCALE: 1" = 1'-0"
 S4



DETAIL 8
 TYPICAL BEAM TO TUBE COLUMN CONNECTION
 SCALE: 3/4" = 1'-0"
 S4



SECTION 3
 TYPICAL EXTERIOR STEEL COLUMN AND ISOLATED FOOTING
 SCALE: N.T.S.
 S4



SECTION 6
 TYPICAL TURNDOWN AT CMU STEM WALL
 SCALE: 3/4" = 1'-0"
 S4

Order Plans @ www.IDIline.com

No.	Date	Revision

Owner:
 PIEDMONT REGIONAL LIBRARY SYSTEM

Project:
 AUBURN PUBLIC LIBRARY EXPANSION & RENOVATION

SECTIONS & DETAILS

CONSTRUCTION DOCUMENTS

job no.: 19009
 date: 2/26/2020
 by: TNN
 app:
 file name: APL-PLANS
 sheet no.:

S4