

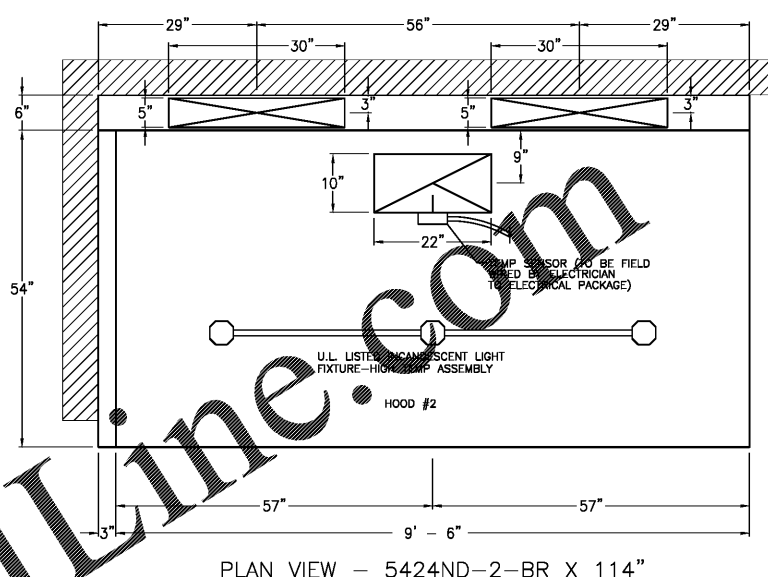
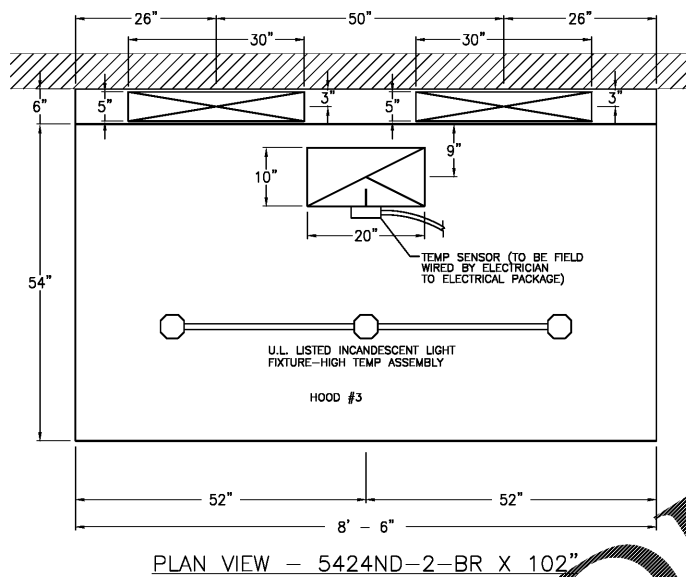
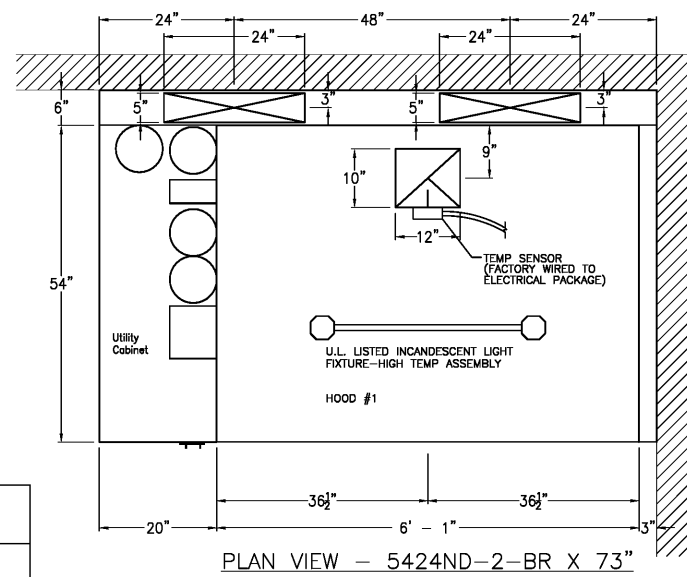
DATE	RELEASE
04.17.20	FOR CONSTRUCTION

CHECKED BY:  
DRAWN BY:  
© 2020, AKASTUDIO, P.C. THESE DRAWINGS AND DESIGNS ARE PROTECTED BY THE COPYRIGHT LAWS OF THE UNITED STATES. THESE DRAWINGS OR ANY PART THEREOF MAY NOT BE USED FOR ANY PURPOSE OR REPRODUCED IN ANY FORM OR BY ANY MEANS WITHOUT THE WRITTEN CONSENT OF AKASTUDIO, P.C.

RESTAURANT FOR:  
**NEW GENERATION FOODS, LLC**  
P.O. BOX 736  
ATHENS, AL 35612  
TEL. (256) 729-9136



J.E. BRISCOE WAY & MADISON BLVD. PROJECT: R-2002  
MADISON, MADISON COUNTY ALABAMA DATE: 04/17/20  
**Boyanjel's RESTAURANT**  
KITCHEN HOOD DETAILS



HOOD OPTIONS

HOOD NO.	OPTION	DESCRIPTION
1	FIELD WRAPPER	18.00" High Front, Left
	BACKSPLASH	30.00" High X 88.00" Long 430 SS
	RIGHT END STANDOFF	3" Wide
	RIGHT SIDESPLASH	80.00" High X 54.00" Long 430 SS
	LEFT QUARTER END PANEL	
2	FIELD WRAPPER	18.00" High Front, Left, Right
	BACKSPLASH	30.00" High X 219.00" Long 430 SS
	LEFT END STANDOFF	3" Wide
	LEFT SIDESPLASH	80.00" High X 54.00" Long 430 SS
3	FIELD WRAPPER	18.00" High Front, Left, Right
	RIGHT END PANEL	

BACK RETURN(S)

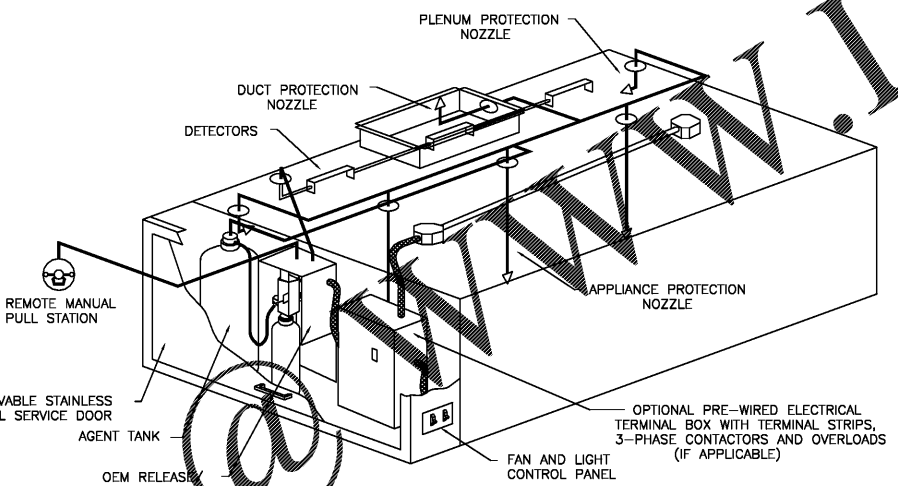
HOOD NO.	WIDTH	LENGTH	CHEESE MELTER SUPPORTS	TOTAL SUPPLY CFM	BOOT(S)				
					WIDTH	LENGTH	ANGLE	CFM	S.P.
1	6"	96"	YES	730	5"	24"	Straight	365	0.020"
2	6"	114"	YES	1300	5"	30"	Straight	650	0.042"
3	6"	102"	YES	1200	5"	30"	Straight	600	0.042"

HOOD INFORMATION

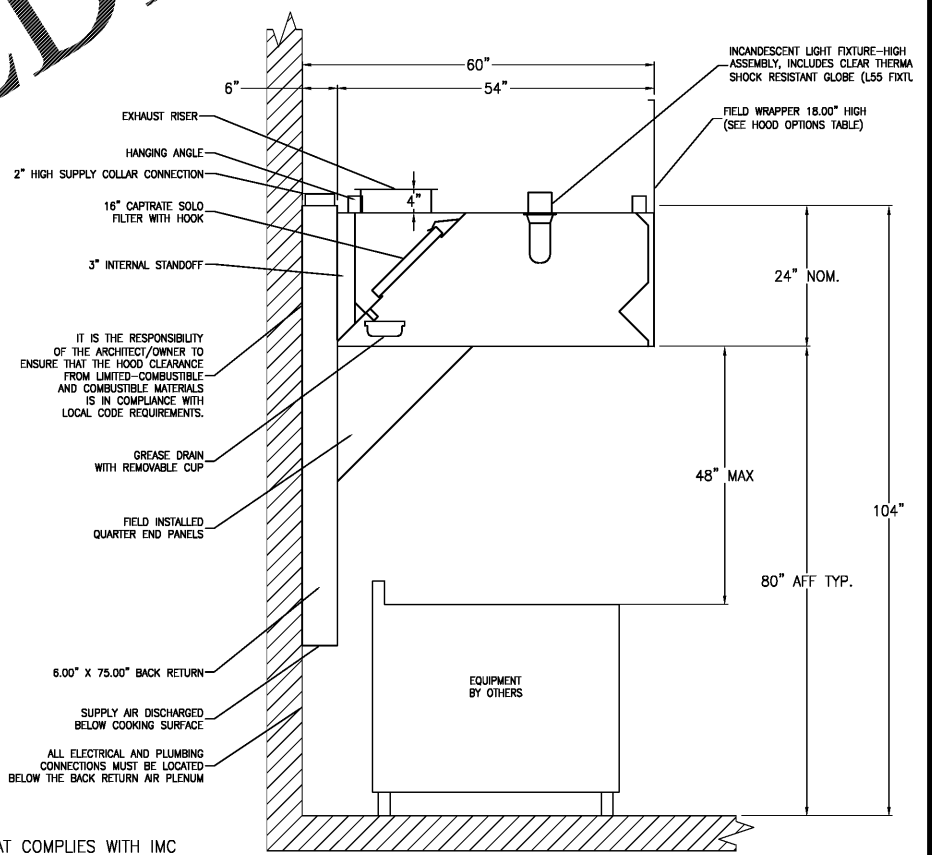
HOOD NO.	TAG	MODEL	LENGTH	MAX. COOKING TEMP.	TOTAL EXH. CFM	EXHAUST PLENUM RISER(S)					SUPPLY PLENUM RISER(S)					HOOD CONFIG.		
						WIDTH	LENG.	DIA.	CFM	S.P.	WIDTH	LENG.	DIA.	CFM	S.P.	CONSTRUCTION	END TO END	ROW
1	Hood 1	5424 ND-2-BR	6' 1.00"	450 Deg.	1250	10"	12"		1250	0.776"						430 SS	ALONE	ALONE
2	Hood 2	5424 ND-2-BR	9' 6.00"	450 Deg.	2300	10"	22"		2300	-1.037"					430 SS	ALONE	ALONE	
3	Hood 3	5424 ND-2-BR	8' 6.00"	450 Deg.	2100	10"			2100	-1.037"					430 SS	ALONE	ALONE	

HOOD INFORMATION

HOOD NO.	TYPE	QTY.	HEIGHT	DEPTH	FIRE SYSTEM	WIRE GUARD	LOCATION	FIRE SYSTEM TYPE	SIZE	ELECTRICAL MODEL #	SWITCHES QUANTITY	LOCATION	FIRE SYSTEM PIPING	HOOD HANGING WGT
2	Captrate Solo Filter wi	2	16"	20"									YES	610 LBS
3	Captrate Solo Filter wi	7	16"	20"									YES	668 LBS



TYPICAL ANSUL R-102 SYSTEM LAYOUT



SECTION VIEW - MODEL 5424ND-2-BR

NOTE: THIS HOOD SYSTEM HAS A HEAT SENSOR THAT COMPLIES WITH IMC 507.2.1.1 FOR AUTOMATIC FAN ACTIVATION WHENEVER COOKING OPERATIONS OCCUR.

**AIR BALANCE NOTE:**  
 TOTAL EXHAUST = HOOD EXHAUST - HOOD SUPPLY  
 TOTAL EXHAUST = 5,650 CFM - 2,830 CFM  
 TOTAL EXHAUST = 2,820 CFM NEEDED FROM HVAC