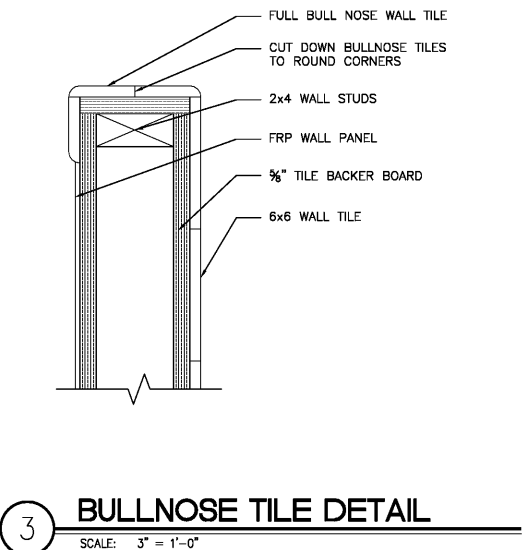
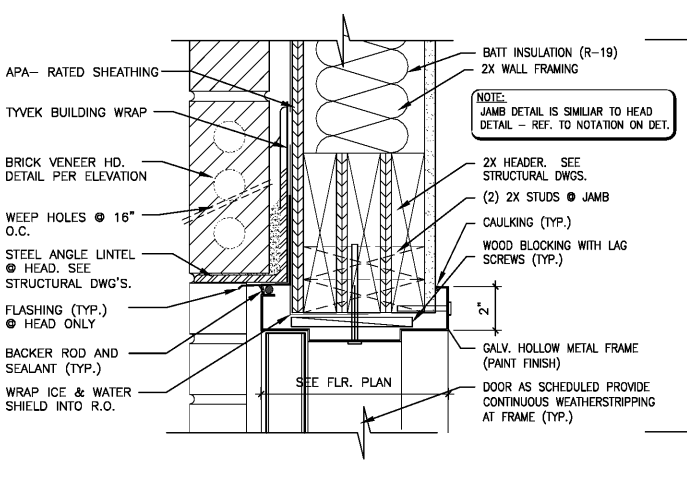


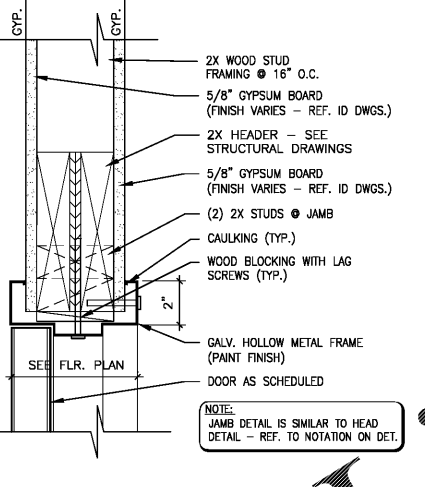
2 DESK SECTION
SCALE: 1 1/2" = 1'-0"



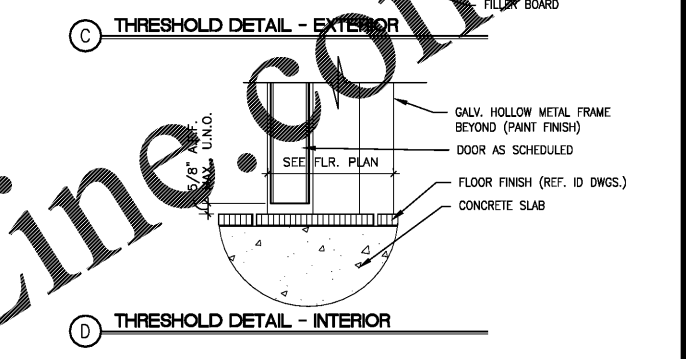
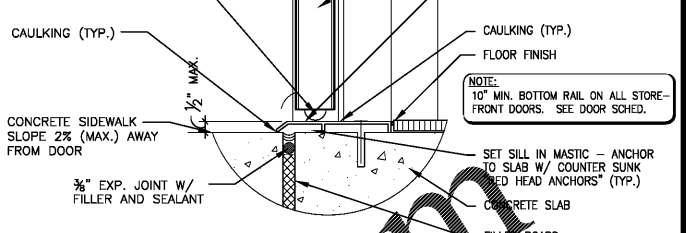
3 BULLNOSE TILE DETAIL
SCALE: 3" = 1'-0"



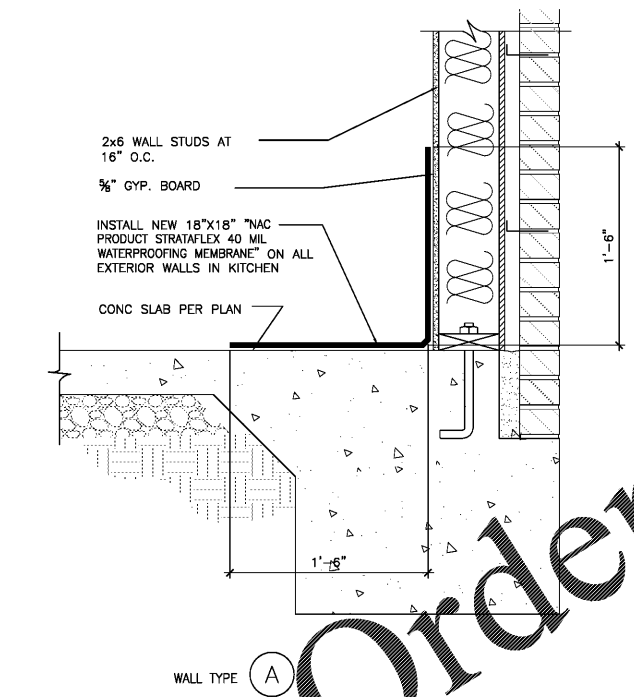
4 A HEAD / JAMB DETAIL



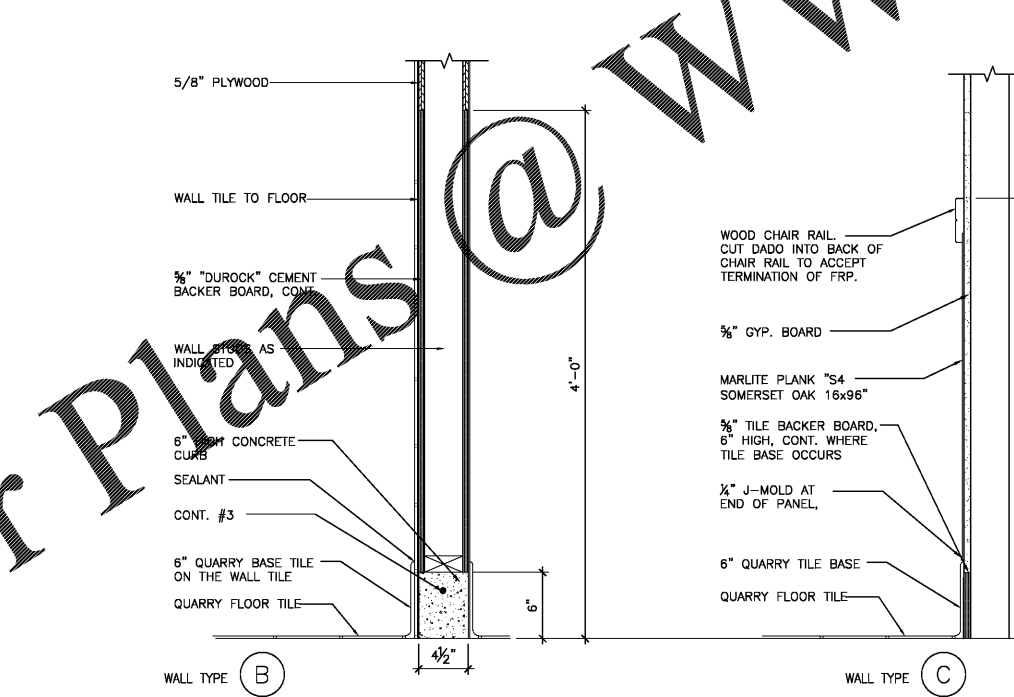
4 B HEAD / JAMB DETAIL



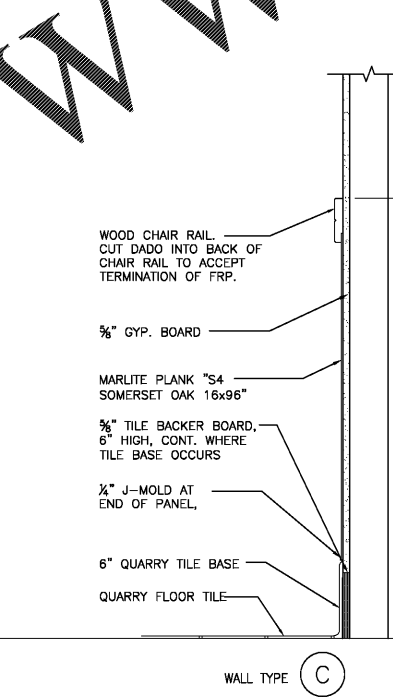
4 D THRESHOLD DETAIL - INTERIOR



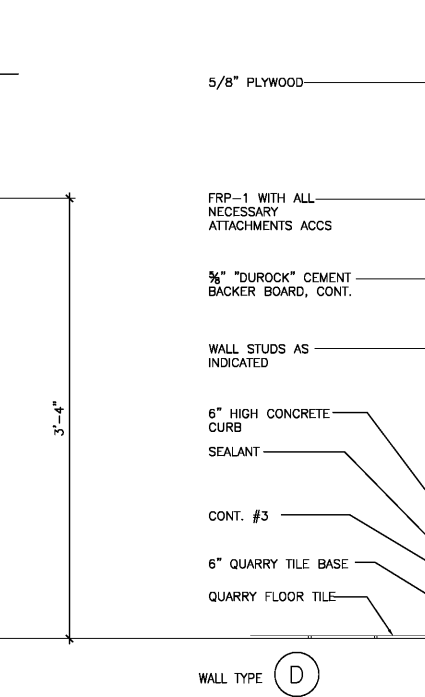
1 WALL FINISHES
SCALE: 1 1/2" = 1'-0"



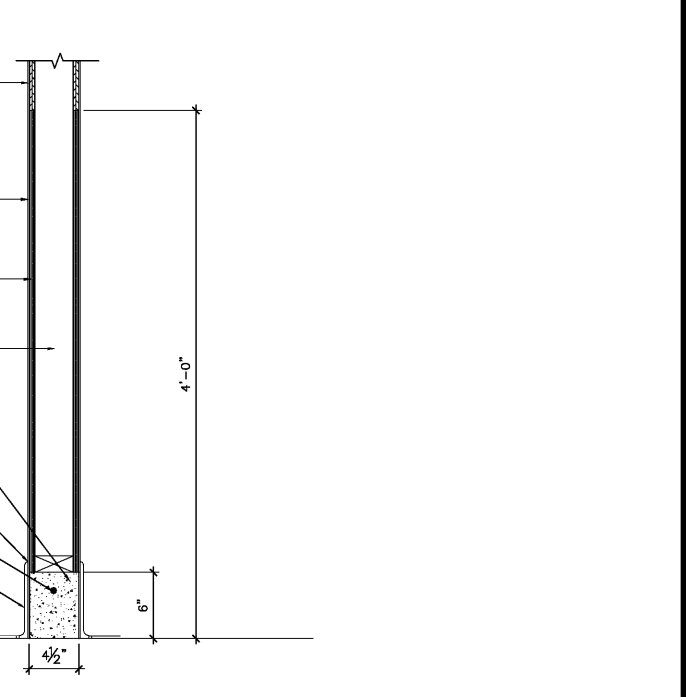
WALL TYPE **A**



WALL TYPE **B**



WALL TYPE **C**



WALL TYPE **D**

Order Plans @

WWW.LDILine.com

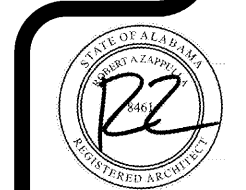
R-2002

DATE	RELEASE FOR CONSTRUCTION
04.30.20	

CHECKED BY: RZ
DRAWN BY: W.A.A.C.

© 2020 AKA STUDIO, P.C. THESE DRAWINGS AND DESIGNS ARE PROTECTED BY THE COPYRIGHT LAWS OF THE UNITED STATES. THESE DRAWINGS OR ANY PART THEREOF MAY NOT BE USED FOR ANY PURPOSES OR REPRODUCED IN ANY FORM OR BY ANY MEANS WITHOUT THE WRITTEN CONSENT OF AKA STUDIO, P.C.

RESTAURANT FOR:
NEW GENERATION FOODS, LLC
P.O. BOX 736
ATHENS, AL 35612
TEL. (256) 729-9136



J.E. BRISCOE WAY & MADISON BLVD. PROJECT: R-2002
MADISON, MADISON COUNTY ALABAMA DATE: 04/30/20

Bongle's RESTAURANT

DOOR DETAILS AND WALL FINISH TYPES