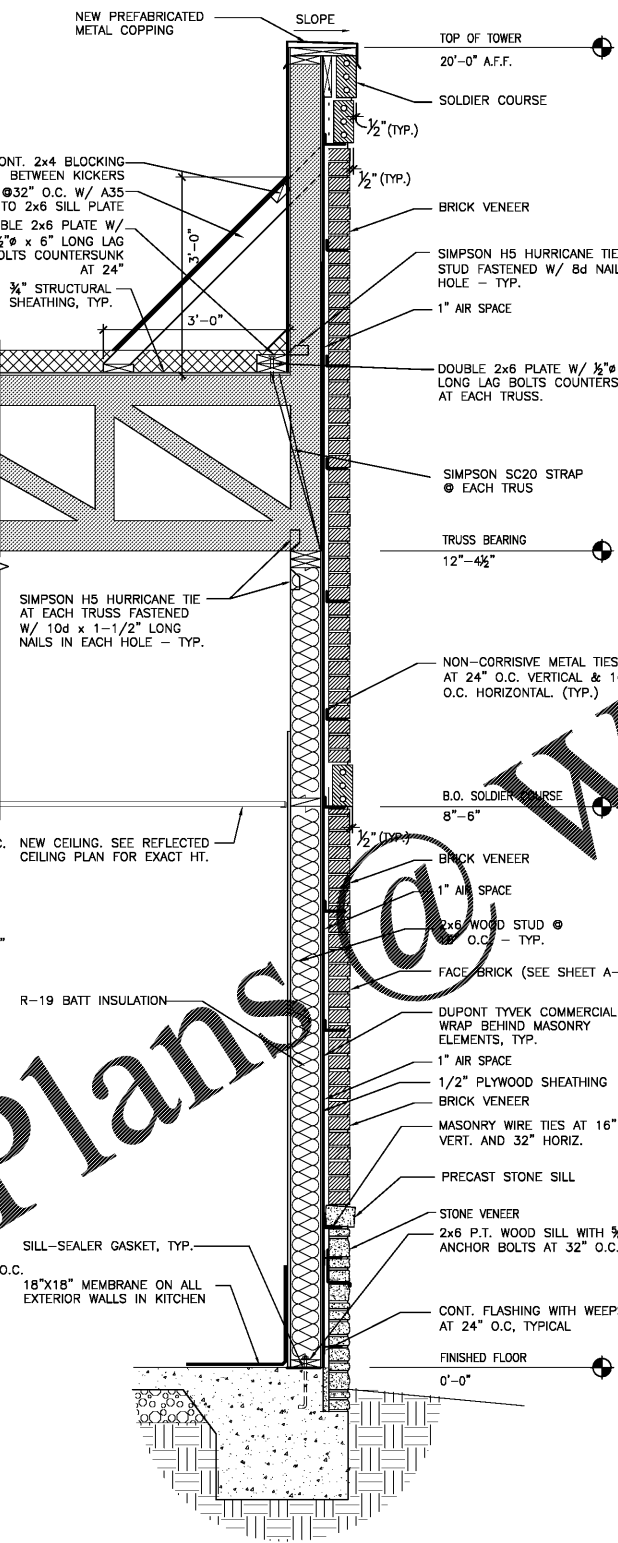
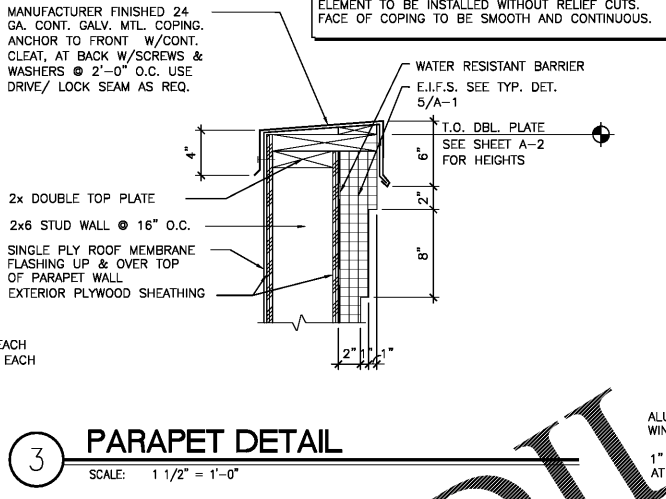


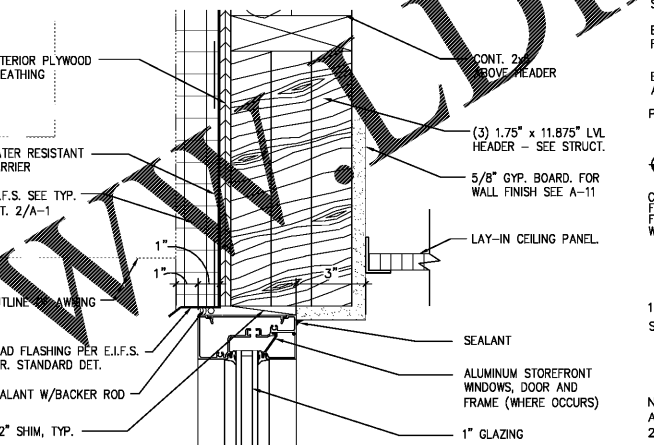
1 SECTION • TOWER
SCALE: 3/4" = 1'-0"



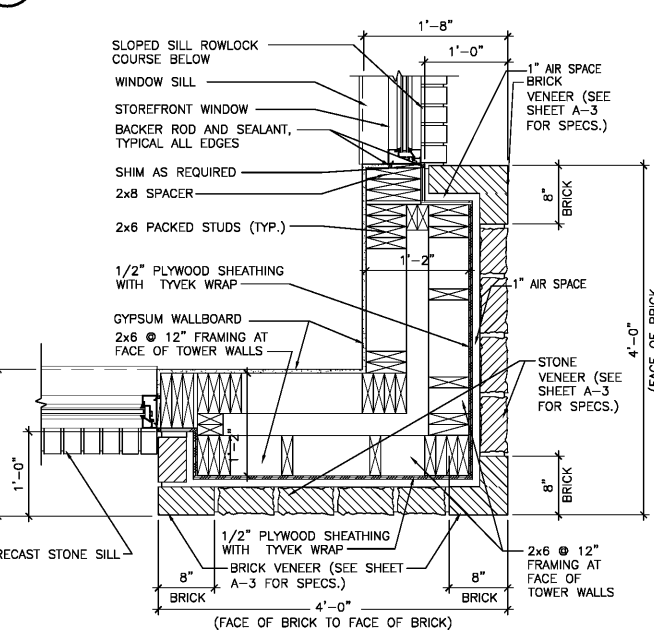
2 SECTION • KITCHEN SIDE WALLS
SCALE: 3/4" = 1'-0"



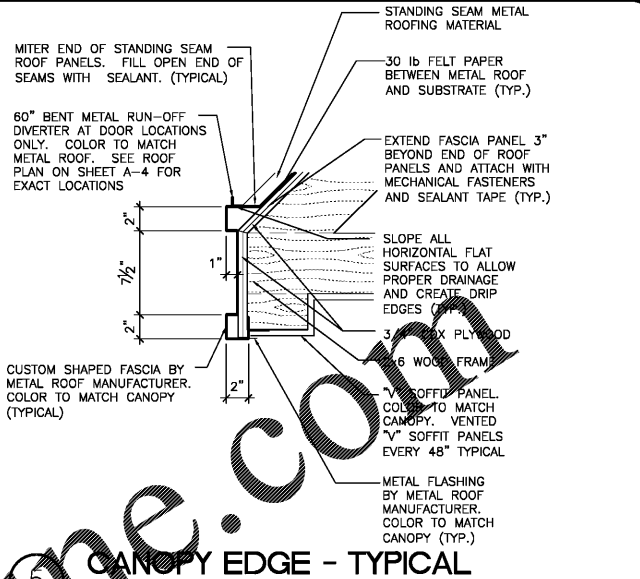
3 PARAPET DETAIL
SCALE: 1 1/2" = 1'-0"



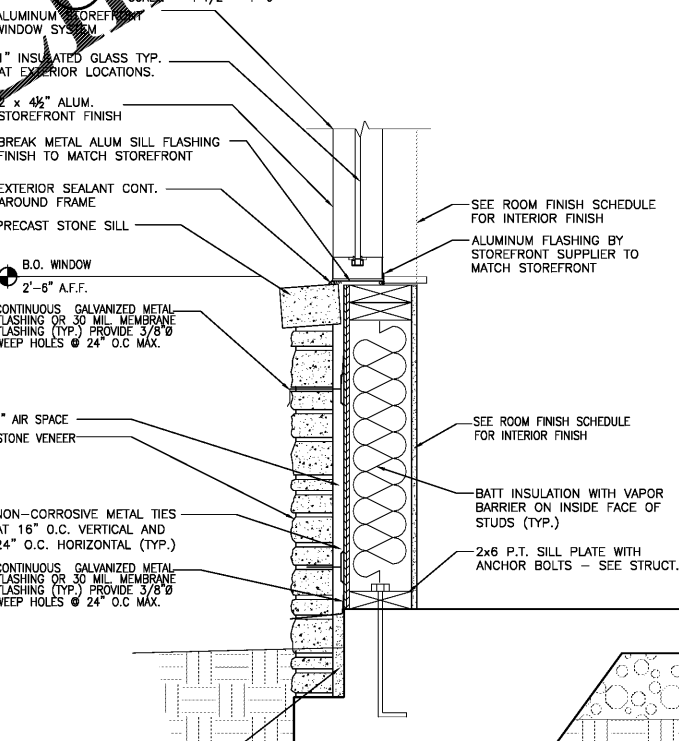
4 WINDOW HEADER - TYP.
SCALE: 3" = 1'-0"



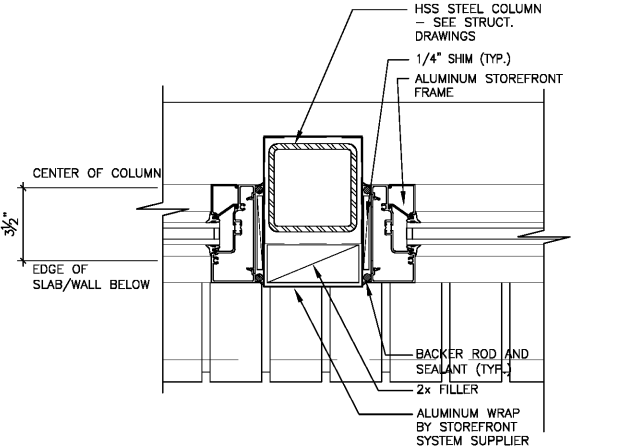
6 ENLARGED WALL DETAIL
• CORNER TOWER
SCALE: 1" = 1'-0"



5 CANOPY EDGE - TYPICAL
SCALE: 1 1/2" = 1'-0"



7 SILL AT STOREFRONT DETAIL
SCALE: 1 1/2" = 1'-0"



8 COLUMN • STOREFRONT
SCALE: 3" = 1'-0"

R-2002

DATE	RELEASE FOR CONSTRUCTION
04.30.20	

CHECKED BY: RZ
DRAWN BY: W.A.A.C.

© 2020 AKA STUDIO, P.C. THESE DRAWINGS AND DESIGN ARE THE PROPERTY OF AKA STUDIO, P.C. THESE DRAWINGS OR ANY PART THEREOF MAY NOT BE USED FOR ANY PURPOSES OTHER THAN THOSE FOR WHICH THEY WERE PREPARED WITHOUT THE WRITTEN CONSENT OF AKA STUDIO, P.C.

**RESTAURANT FOR:
NEW GENERATION FOODS, LLC
P.O. BOX 736
ATHENS, AL 35612
TEL. (256) 729-9136**



**J.E. BRISCOE WAY & MADISON BLVD. PROJECT: R-2002
MADISON, MADISON COUNTY ALABAMA DATE: 04/30/20**

Wang's RESTAURANT

WALL SECTIONS & DETAILS