

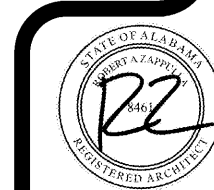
R-2002

DATE	RELEASE
04.30.20	FOR
	CONSTRUCTION

CHECKED BY: RZ
DRAWN BY: W.A.A.C.

© 2020 AKA STUDIO, P.C. THESE DRAWINGS AND DESIGN ARE PROTECTED BY THE COPYRIGHT LAWS OF THE UNITED STATES. THESE DRAWINGS OR ANY PART THEREOF MAY NOT BE USED FOR ANY PURPOSE OR REPRODUCED IN ANY FORM OR BY ANY MEANS WITHOUT THE WRITTEN CONSENT OF AKA STUDIO, P.C.

**RESTAURANT FOR:
NEW GENERATION FOODS, LLC
P.O. BOX 736
ATHENS, AL 35612
TEL. (256) 729-9136**



J.E. BRISCOE WAY & MADISON BLVD. PROJECT: R-2002
MADISON, MADISON COUNTY ALABAMA DATE: 04/30/20

Bojangles' RESTAURANT
ROOF PLAN

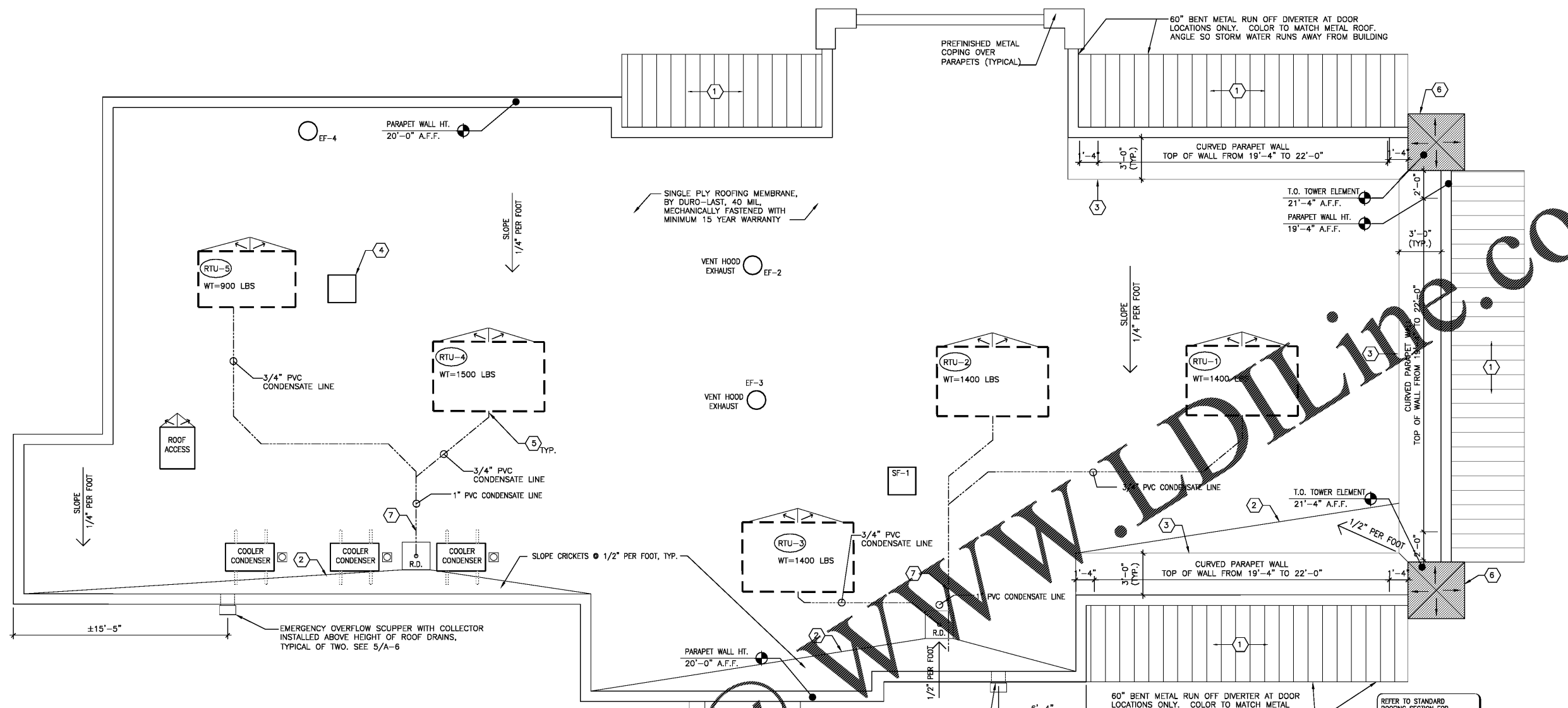
A-6

GENERAL NOTES

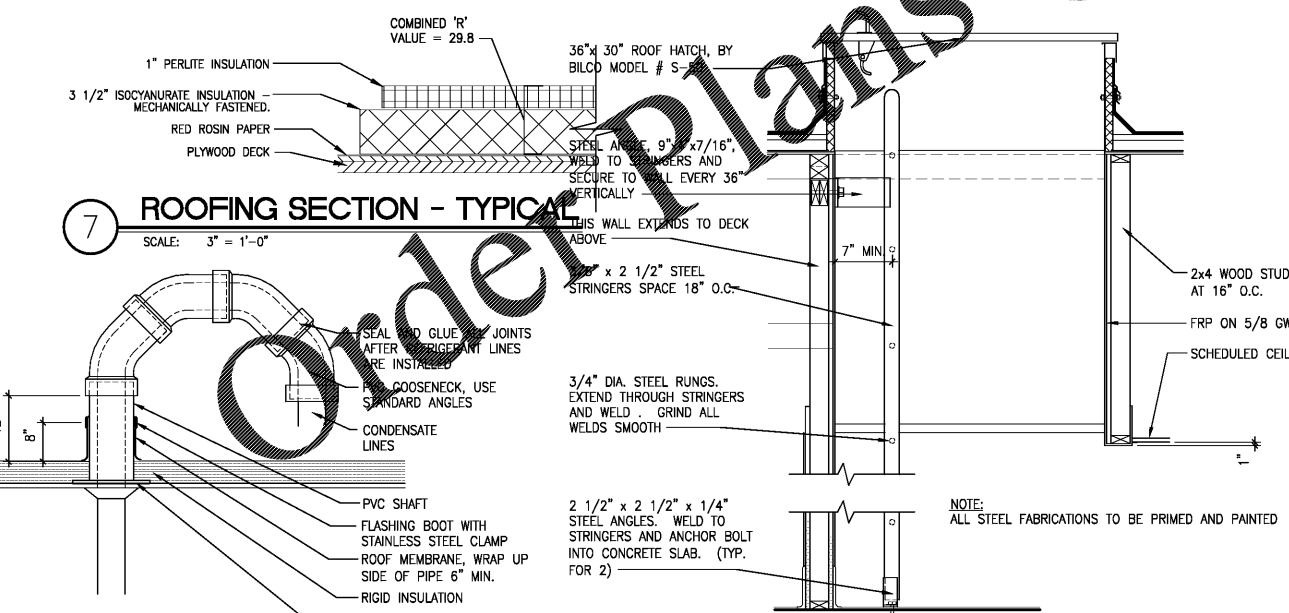
1. ALL ROOFTOP EQUIPMENT IS TO BE SET 10'-0" BACK FROM ROOF EDGE WHERE PARAPET HEIGHT IS LOWER THAN 36" FROM ROOF. G.C. TO COORDINATE.
2. PROVIDE 2x6 BLOCKING BETWEEN ROOF TRUSSES DIRECTLY BENEATH ANY EQUIPMENT LOCATED ON THE ROOF. SEE STRUCTURAL DRAWINGS.
3. INCLUDE CANT STRIPS IF REQUIRED BY ROOFING MANUFACTURER TO MAINTAIN WARRANTY.

KEYED NOTES

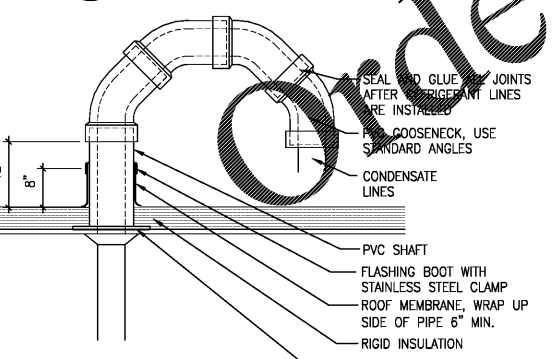
1. OUTLINE OF PREFABRICATED METAL AWNING
2. ROOF CRICKET. SEE DETAIL 6-A/6.
3. OUTLINE OF ANGLED SUPPORT WALL. SEE WALL SECTION.
4. CONDENSING UNIT FOR ICE MACHINE BELOW.
5. PENETRATION FOR CONDENSATE PIPING. SEE DET. THIS SHEET.
6. PREFINISHED METAL CAP TO MATCH METAL COPING. CROSS BREAK TO PREVENT OIL CANNING (TYPICAL).
7. TERMINATE CONDENSATE DRAIN AT PRIMARY SCUPPER.
8. OUTLINE OF PREFABRICATED METAL DRIVE THRU CANOPY.



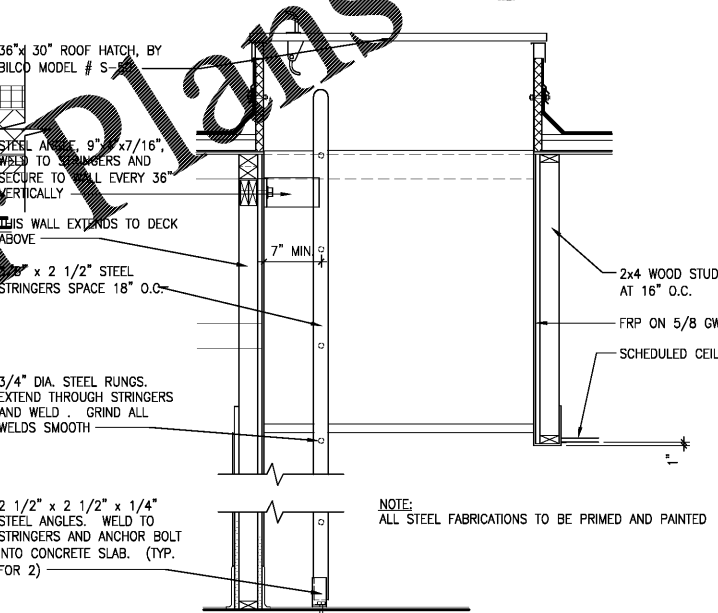
1 ROOF PLAN
SCALE: 1/4" = 1'-0"



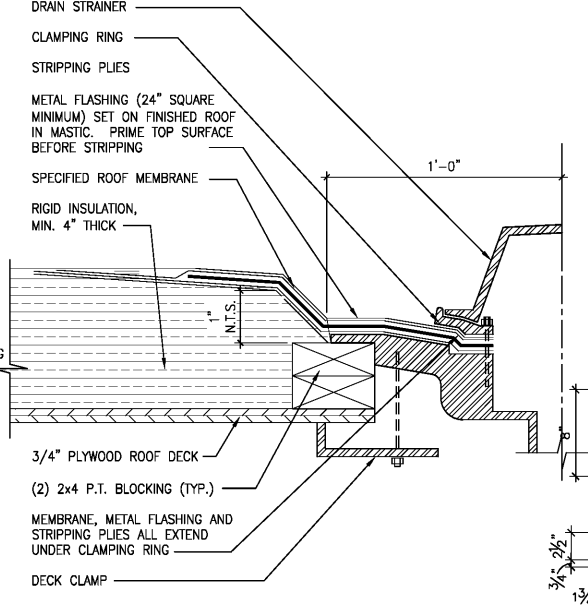
7 ROOFING SECTION - TYPICAL
SCALE: 3" = 1'-0"



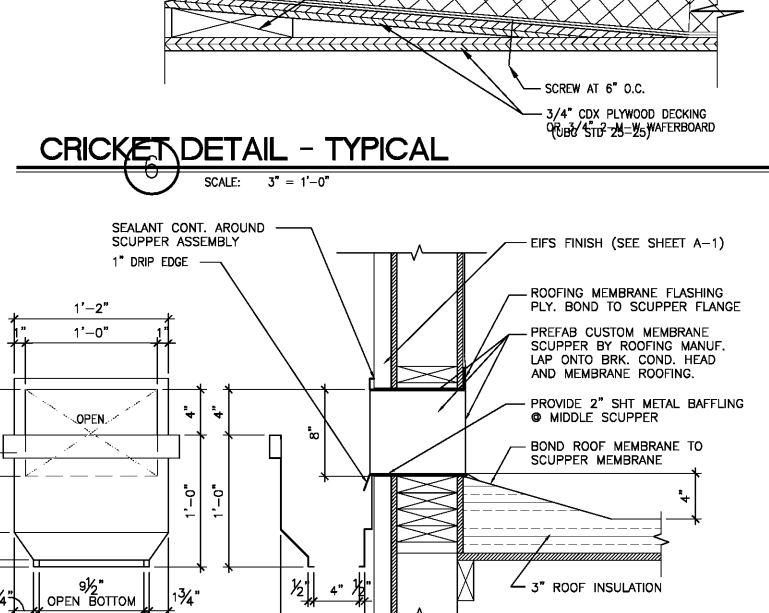
2 ROOF PENETRATION DETAIL
SCALE: N.T.S.



3 ROOF SCUTTLE DETAIL
SCALE: 3/4" = 1'-0"



4 ROOF DRAIN DETAIL
SCALE: 3" = 1'-0"



CRICKET DETAIL - TYPICAL
SCALE: 3" = 1'-0"

OVERFLOW SCUPPER DETAIL
SCALE: 1 1/2" = 1'-0"