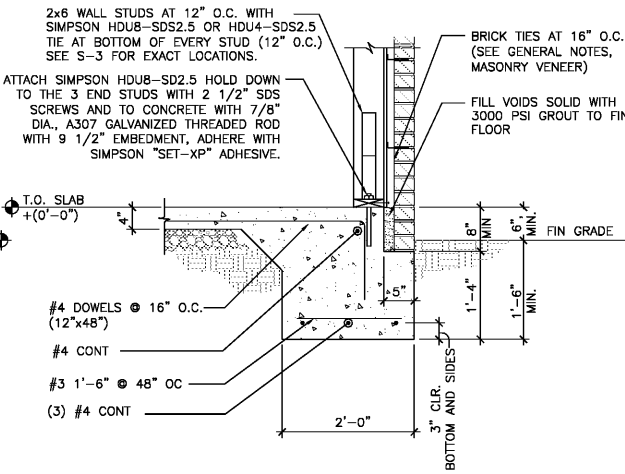
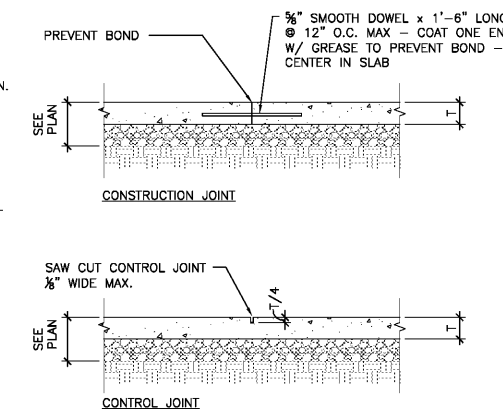


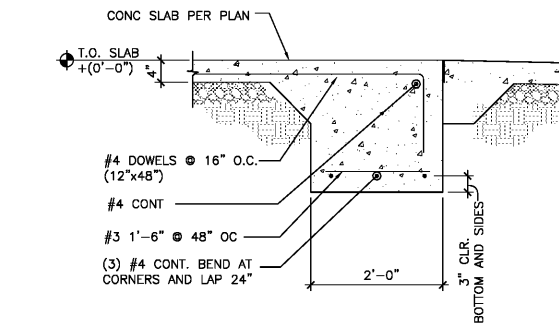
1 EXTERIOR WALL FOUNDATION - TYP.
SCALE: 3/4" = 1'-0"



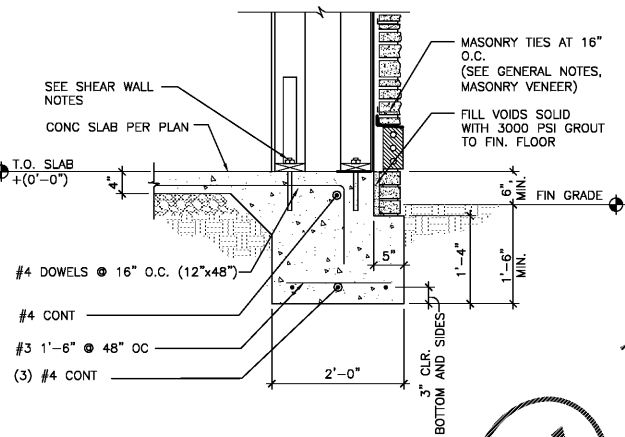
2 SECTION - HOLD-DOWN
SCALE: 3/4" = 1'-0"



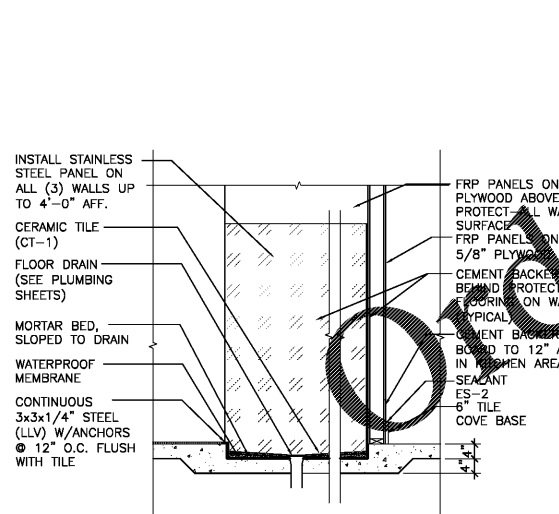
4 CONSTRUCTION - CONTROL JOINT
SCALE: 3/4" = 1'-0"



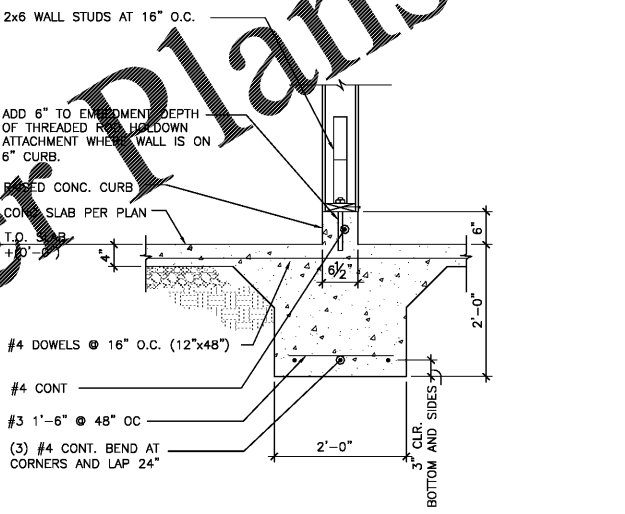
3 SECTION - DOOR OPENING
SCALE: 3/4" = 1'-0"



5 EXTERIOR TOWER WALL FOUNDATION - TYP.
SCALE: 3/4" = 1'-0"



6 MOP SINK SECTION
SCALE: 3/4" = 1'-0"



10 GRADE BEAM - INTERIOR SHEAR WALL
SCALE: 3/4" = 1'-0"



9 NOT USED
SCALE: 1 1/2" = 1'-0"

8 NOT USED
SCALE: 3" = 1'-0"

www.LDILine.com

Order Plans @

RESTAURANT FOR:
NEW GENERATION FOODS, LLC
P.O. BOX 736
ATHENS, AL 35612
TEL. (256) 729-9136



J.E. BRISCOE WAY & MADISON BLVD. PROJECT: R-2002
MADISON, MADISON COUNTY ALABAMA DATE: 04/17/20
Bugles RESTAURANT
FOUNDATION DETAILS

R-2002

DATE	RELEASE FOR
04.30.20	CONSTRUCTION

CHECKED BY: RZ
DRAWN BY: W.A.A.C.
AKA STUDIO, P.C.
THESE DRAWINGS AND DESIGNS ARE PROTECTED BY THE COPYRIGHT LAWS OF THE UNITED STATES. THESE DRAWINGS OR ANY PART THEREOF MAY NOT BE REPRODUCED FOR ANY PURPOSES OR REPRODUCED IN ANY FORM OR BY ANY MEANS WITHOUT THE WRITTEN CONSENT OF AKA STUDIO, P.C.