



360D QUALITY CIRCLE NW, SUITE 450 HUNTSVILLE, AL 35806 (256) 897-0882

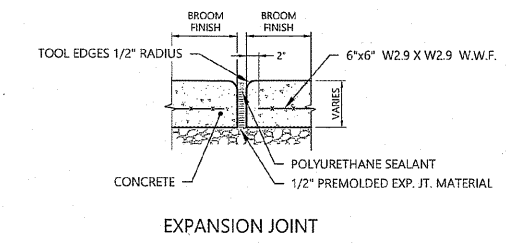
NEW GENERATION FOODS, LLC
P.O. BOX 736
ATHENS, AL 35612
256.729.9136

NO.	DATE	DESCRIPTION	CHK	APP
2	4-7-2020	CITY'S FINAL TECHNICAL REVIEW	BW	BW
1	4-7-2020	CITY'S TECHNICAL REVIEW	BW	BW

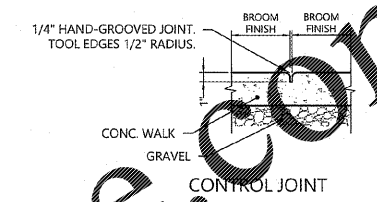
SITE DETAILS
CONSTRUCTION DOCUMENTS
BOJANGLES - J.E. BRISCOE WAY & MADISON BLVD.
MADISON, MADISON COUNTY, ALABAMA

PROJECT NUMBER
518220002
DRAWING NUMBER

C6.0

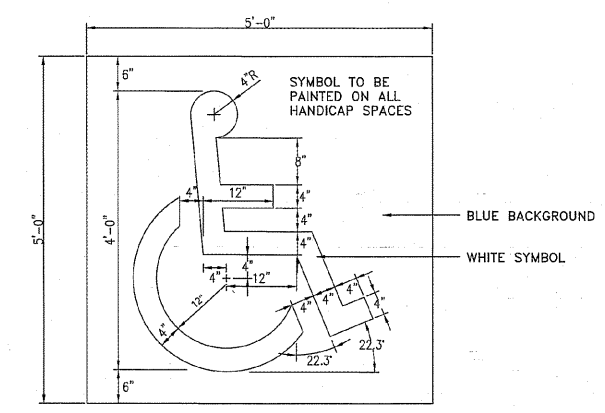


EXPANSION JOINT



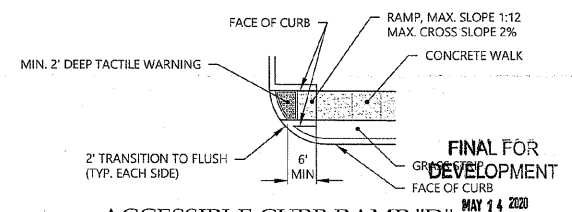
CONTROL JOINT

SIDEWALK JOINTS
NO SCALE



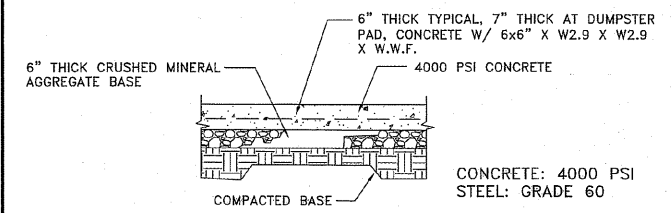
PAINTED ACCESSIBLE SYMBOL
NOT TO SCALE

2



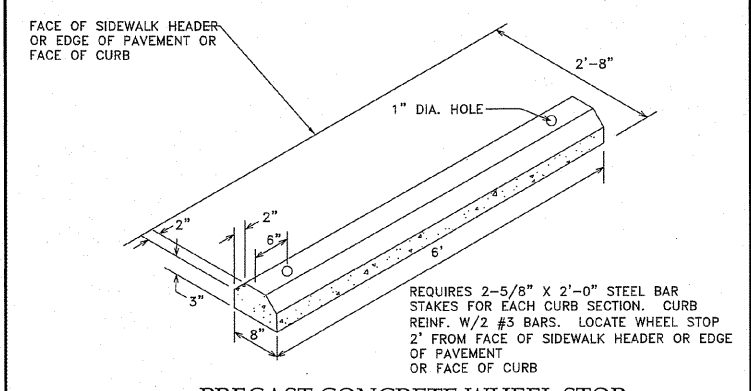
ACCESSIBLE CURB RAMP "D"
NO SCALE

3



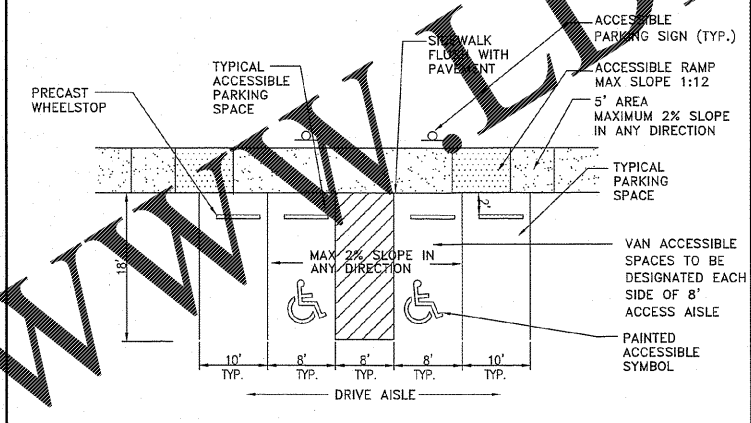
CONCRETE PAVEMENT
NOT TO SCALE

4



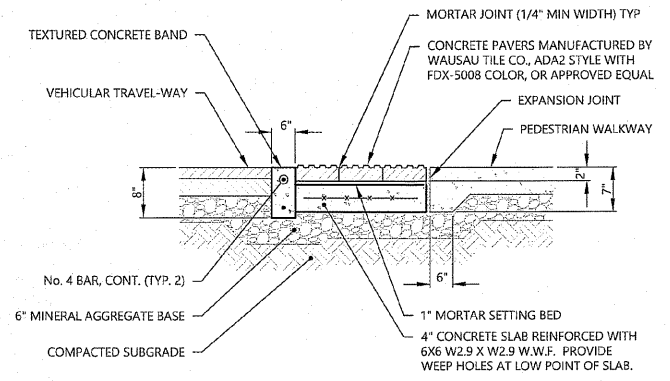
PRECAST CONCRETE WHEEL STOP
NOT TO SCALE

5



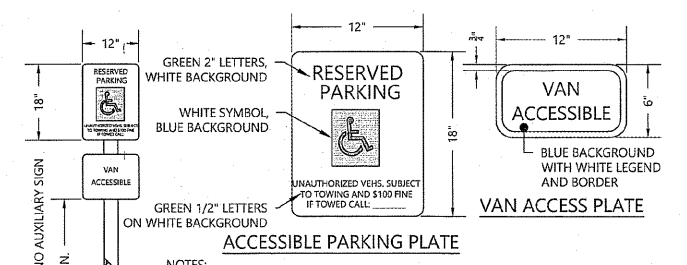
ACCESSIBLE PARKING SPACE DELINEATION
NOT TO SCALE

6



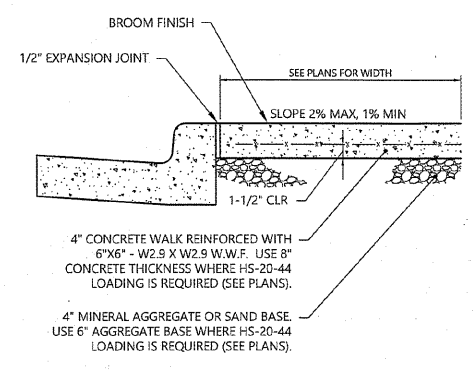
SECTION "A - A"

7



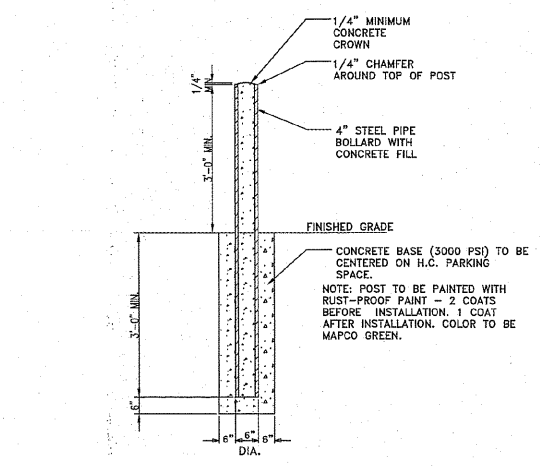
- ACCESSIBLE PARKING SIGN**
NO SCALE
- NOTES:
1. ALL PAINTED LINES FOR HANDICAP PARKING SPACES SHALL BE BLUE OR WHITE 4" WIDE LINES.
 2. CROSS-HATCHING IN THE ACCESS AISLES SHALL BE 4" WIDE SOLID BLUE LINES. PARKING IS PROHIBITED IN CROSS-HATCHED AREAS.
 3. ACCESS AISLES MAY BE SHARED BY TWO ACCESSIBLE SPACES.
 4. ONE OF EVERY EIGHT ACCESSIBLE SPACES, AND NO LESS THAN ONE, SHALL BE VAN ACCESSIBLE.
 5. A SEPARATE SIGN SHALL BE PROVIDED FOR EACH ACCESSIBLE PARKING SPACE.
 6. MOUNTING HEIGHT FOR SIGNS MAY BE REDUCED TO 5' ABOVE THE PAVEMENT WHERE SIGNS ARE LOCATED IN A NON-PEDESTRIAN AREA SUCH AS ON A BUILDING OR IN A LANDSCAPED AREA.
 7. VAN ACCESSIBLE SIGNS, WHEN USED, SHALL BE MOUNTED BELOW THE ACCESSIBLE PARKING SIGN.
 8. FOR GRAVEL PARKING LOTS USE BLUE PAINTED WHEEL STOPS IN LIEU OF PAVEMENT MARKINGS. WHEEL STOPS SHALL BE SPACED TO PROVIDE REQUIRED STALL WIDTHS.

8



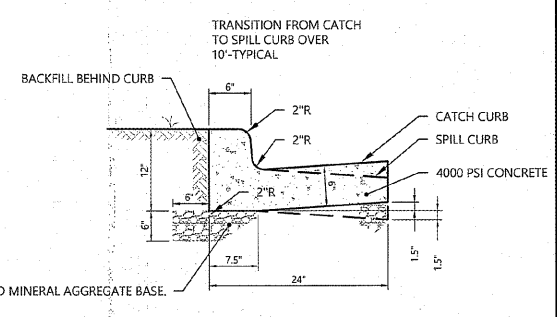
SIDEWALK AT CURB AND GUTTER
NO SCALE

9



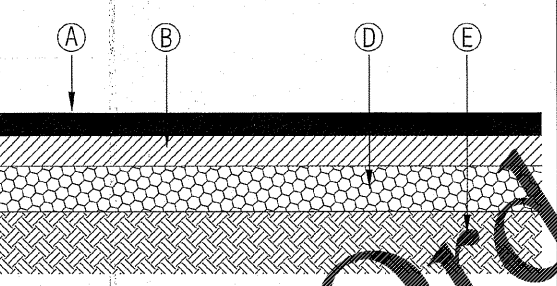
STEEL BOLLARD
NOT TO SCALE

10



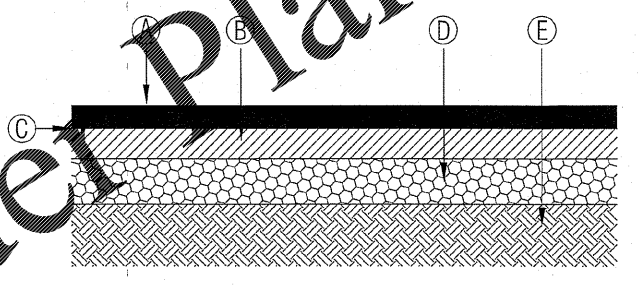
CONCRETE CURB AND GUTTER
NO SCALE

11



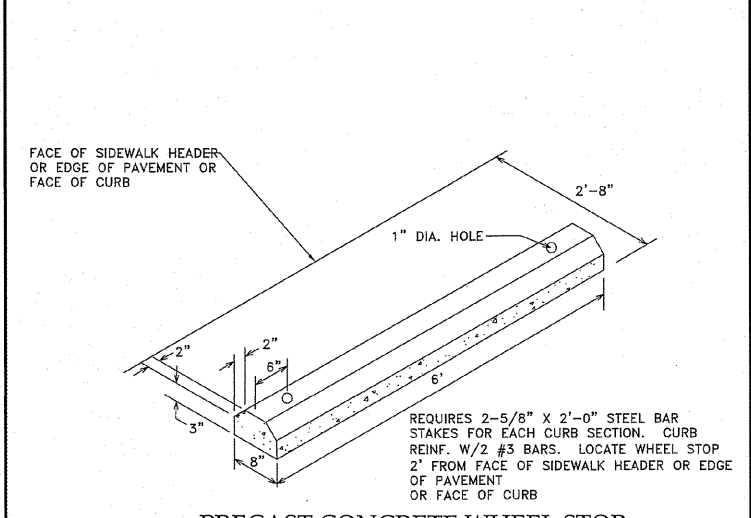
- LIGHT DUTY PAVEMENT SECTION**
NOT TO SCALE
- (A) 1" - ALDOT 424-A BITUMINOUS CONCRETE WEARING SURFACE LAYER, 1/2" MAX. AGGREGATE SIZE ESAL RANGE A/B
 - (B) 2" - ALDOT 424-B SUPERPAVE BITUMINOUS CONCRETE UPPER BINDER LAYER, 3/4" MAX. AGGREGATE SIZE, ESAL RANGE A/B
 - (C) 405A-000 TACK COAT
 - (D) 6" - ALDOT 301A-12 CRUSHED AGGREGATE BASE COURSE, ALDOT NO. 825, TYPE B, 100% COMPACTION STANDARD PROCTOR
 - (E) SUBGRADE, TOP 2' 98% STANDARD PROCTOR, BELOW TOP 2' 95% STANDARD PROCTOR.

13



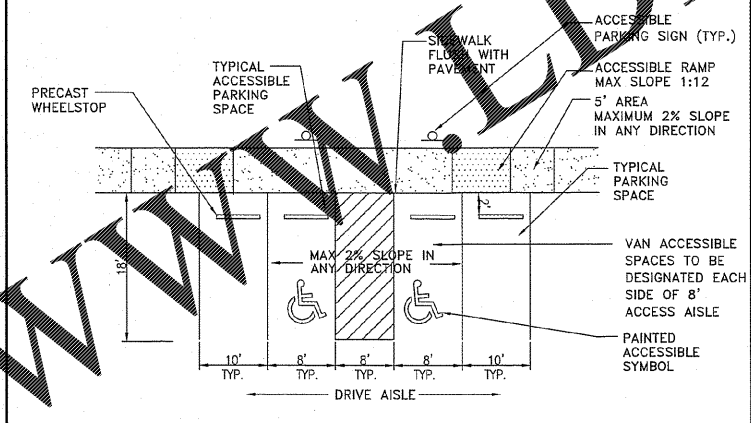
- HEAVY DUTY PAVEMENT SECTION**
NOT TO SCALE
- (A) 1.5" - ALDOT 424-A BITUMINOUS CONCRETE WEARING SURFACE LAYER, 1/2" MAX. AGGREGATE SIZE ESAL RANGE A/B
 - (B) 2" - ALDOT 424-B SUPERPAVE BITUMINOUS CONCRETE UPPER BINDER LAYER, 3/4" MAX. AGGREGATE SIZE, ESAL RANGE A/B
 - (C) 405A-000 TACK COAT
 - (D) 8" - ALDOT 301A-12 CRUSHED AGGREGATE BASE COURSE, ALDOT NO. 825, TYPE B, 100% COMPACTION STANDARD PROCTOR
 - (E) SUBGRADE, TOP 2' 98% STANDARD PROCTOR, BELOW TOP 2' 95% STANDARD PROCTOR.

12



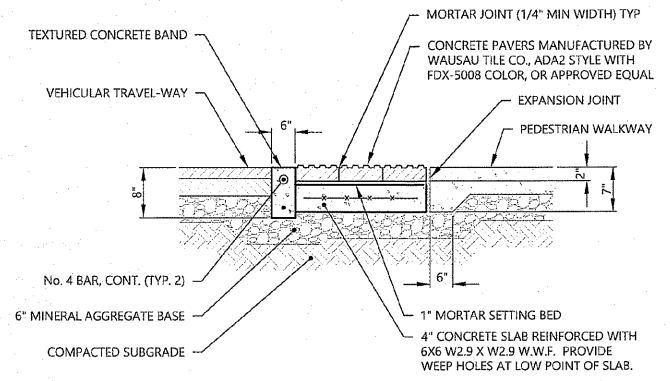
PRECAST CONCRETE WHEEL STOP
NOT TO SCALE

5



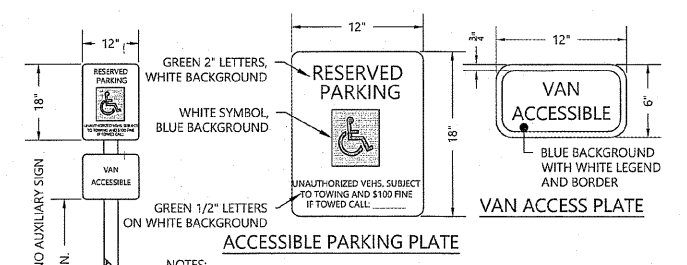
ACCESSIBLE PARKING SPACE DELINEATION
NOT TO SCALE

6



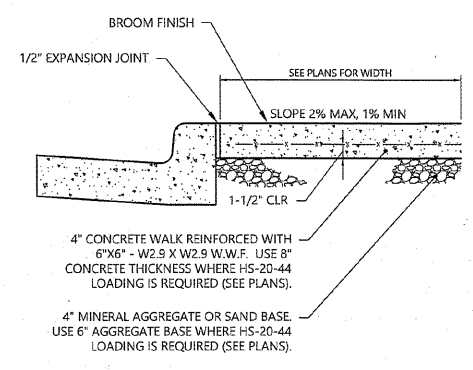
SECTION "A - A"

7



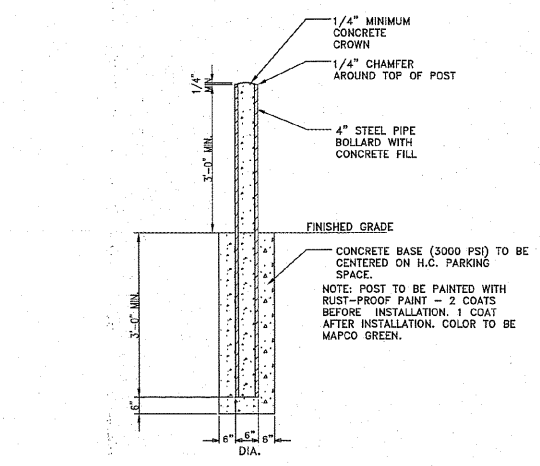
- ACCESSIBLE PARKING SIGN**
NO SCALE
- NOTES:
1. ALL PAINTED LINES FOR HANDICAP PARKING SPACES SHALL BE BLUE OR WHITE 4" WIDE LINES.
 2. CROSS-HATCHING IN THE ACCESS AISLES SHALL BE 4" WIDE SOLID BLUE LINES. PARKING IS PROHIBITED IN CROSS-HATCHED AREAS.
 3. ACCESS AISLES MAY BE SHARED BY TWO ACCESSIBLE SPACES.
 4. ONE OF EVERY EIGHT ACCESSIBLE SPACES, AND NO LESS THAN ONE, SHALL BE VAN ACCESSIBLE.
 5. A SEPARATE SIGN SHALL BE PROVIDED FOR EACH ACCESSIBLE PARKING SPACE.
 6. MOUNTING HEIGHT FOR SIGNS MAY BE REDUCED TO 5' ABOVE THE PAVEMENT WHERE SIGNS ARE LOCATED IN A NON-PEDESTRIAN AREA SUCH AS ON A BUILDING OR IN A LANDSCAPED AREA.
 7. VAN ACCESSIBLE SIGNS, WHEN USED, SHALL BE MOUNTED BELOW THE ACCESSIBLE PARKING SIGN.
 8. FOR GRAVEL PARKING LOTS USE BLUE PAINTED WHEEL STOPS IN LIEU OF PAVEMENT MARKINGS. WHEEL STOPS SHALL BE SPACED TO PROVIDE REQUIRED STALL WIDTHS.

8



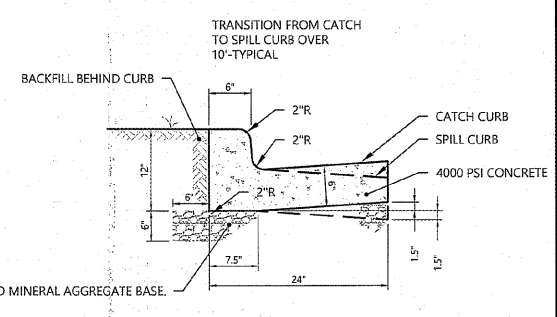
SIDEWALK AT CURB AND GUTTER
NO SCALE

9



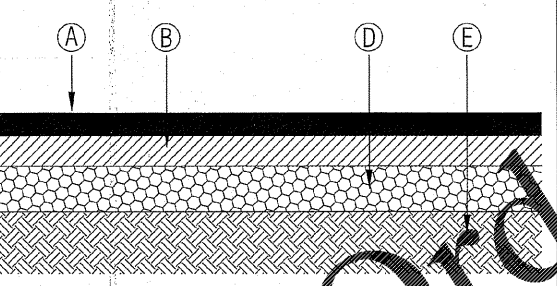
STEEL BOLLARD
NOT TO SCALE

10



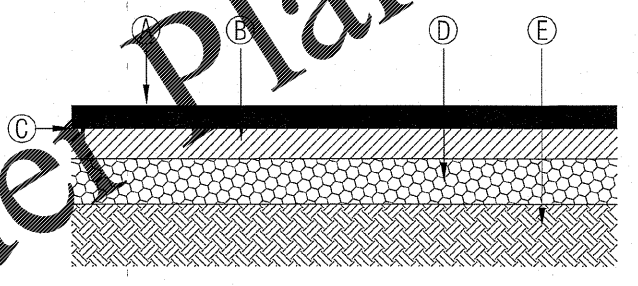
CONCRETE CURB AND GUTTER
NO SCALE

11



- LIGHT DUTY PAVEMENT SECTION**
NOT TO SCALE
- (A) 1" - ALDOT 424-A BITUMINOUS CONCRETE WEARING SURFACE LAYER, 1/2" MAX. AGGREGATE SIZE ESAL RANGE A/B
 - (B) 2" - ALDOT 424-B SUPERPAVE BITUMINOUS CONCRETE UPPER BINDER LAYER, 3/4" MAX. AGGREGATE SIZE, ESAL RANGE A/B
 - (C) 405A-000 TACK COAT
 - (D) 6" - ALDOT 301A-12 CRUSHED AGGREGATE BASE COURSE, ALDOT NO. 825, TYPE B, 100% COMPACTION STANDARD PROCTOR
 - (E) SUBGRADE, TOP 2' 98% STANDARD PROCTOR, BELOW TOP 2' 95% STANDARD PROCTOR.

13



- HEAVY DUTY PAVEMENT SECTION**
NOT TO SCALE
- (A) 1.5" - ALDOT 424-A BITUMINOUS CONCRETE WEARING SURFACE LAYER, 1/2" MAX. AGGREGATE SIZE ESAL RANGE A/B
 - (B) 2" - ALDOT 424-B SUPERPAVE BITUMINOUS CONCRETE UPPER BINDER LAYER, 3/4" MAX. AGGREGATE SIZE, ESAL RANGE A/B
 - (C) 405A-000 TACK COAT
 - (D) 8" - ALDOT 301A-12 CRUSHED AGGREGATE BASE COURSE, ALDOT NO. 825, TYPE B, 100% COMPACTION STANDARD PROCTOR
 - (E) SUBGRADE, TOP 2' 98% STANDARD PROCTOR, BELOW TOP 2' 95% STANDARD PROCTOR.

12