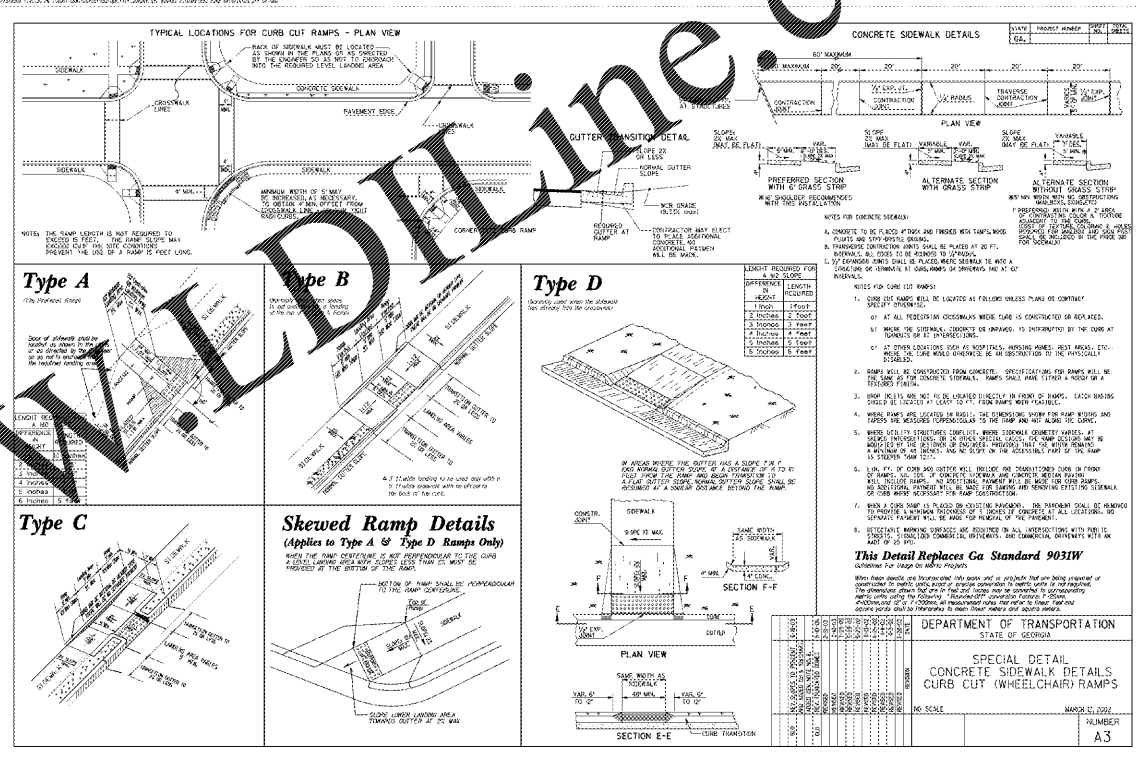
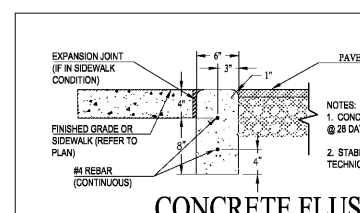
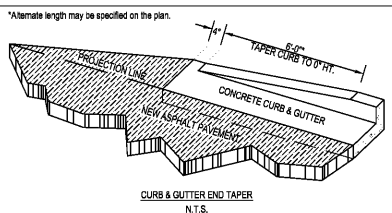
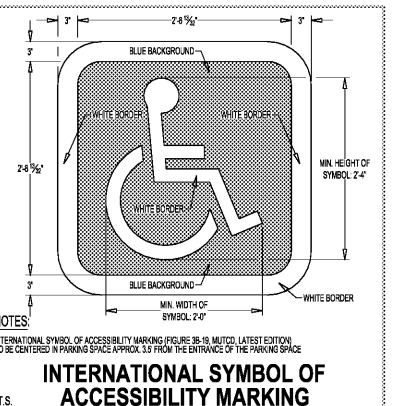
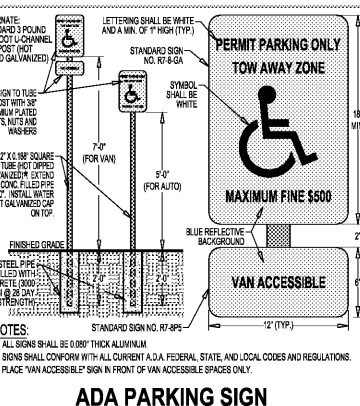
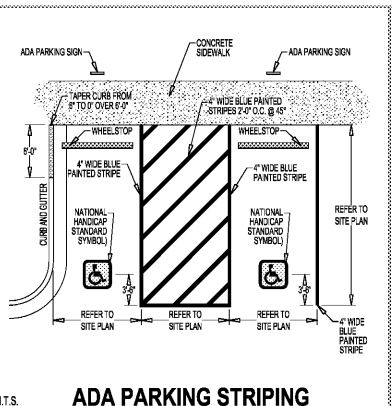
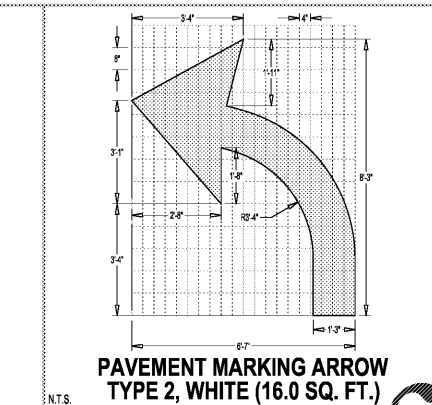
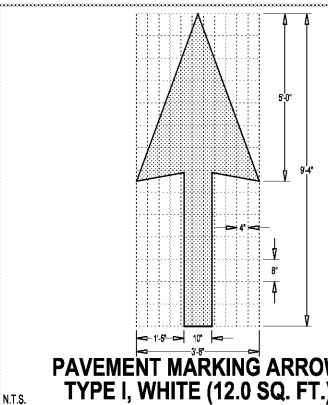
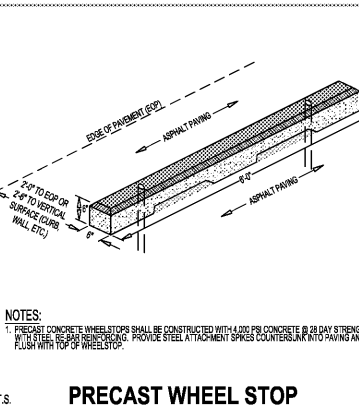
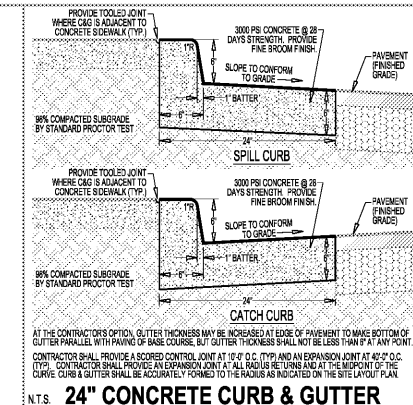
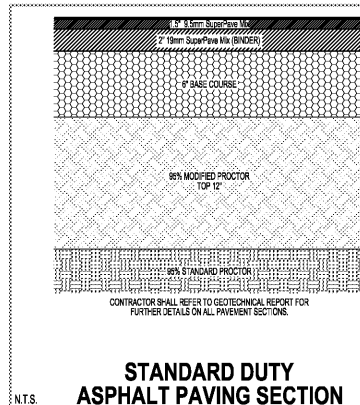
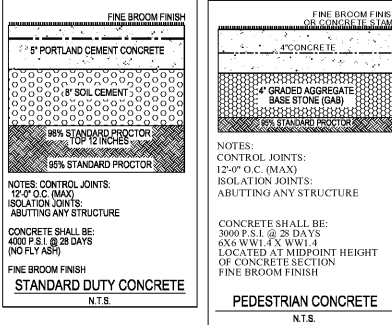


NOTE: GRADING CONTRACTOR SHALL BE RESPONSIBLE FOR SOIL CEMENT. PAVEMENT CONTRACTOR SHALL PROVIDE GAB AND PAVEMENT



gc
georgia civil
CIVIL ENGINEERING
LANDSCAPE ARCHITECTURE
LAND SURVEYING

311 North Main St, Unit C, Ste 101
P.O. Box 888 | Madison, GA 30650
P: 706.342.1104 | F: 706.342.1105
www.georgiacivil.com

Professional Seal



Project Information

EMMANUEL SEVENTH DAY ADVENTIST CHURCH
16 188 02 001
1780 ROCK CHAPEL ROAD, LITHONIA, GA 30058
DEKALB COUNTY
ZONING (COUNTY) - R-85 (RESIDENTIAL MEDIUM LOT)

DRAWING DATE:	8.22.19
DRAWN BY:	MKS
CHECKED BY:	JPB
REVISIONS	
DATE:	DESCRIPTION:
01.31.20	ADDRESS COMMENTS

Copyright 2019 georgia civil, Inc.
This document and its reproduction are the property of Georgia Civil, Inc. and may not be reproduced, published, or used in whole or in part without the written consent of Georgia Civil, Inc.

SITE WORK
DETAILS

Sheet Number
C-7.0