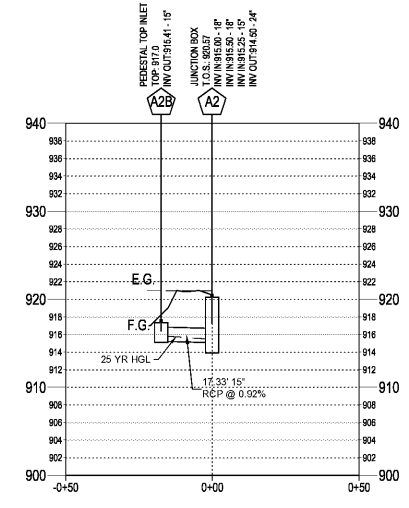
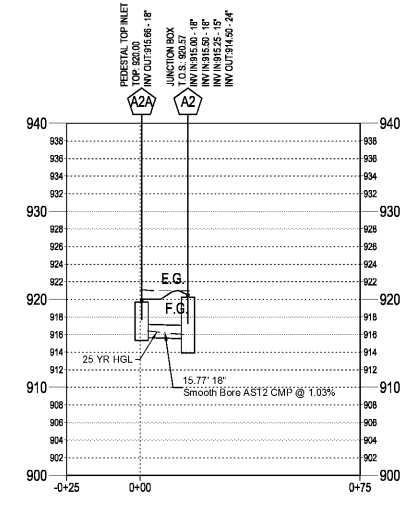
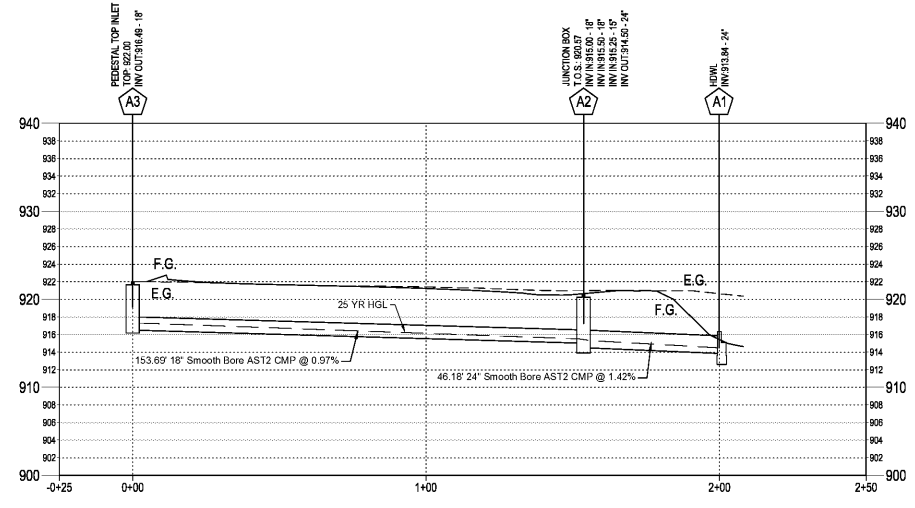


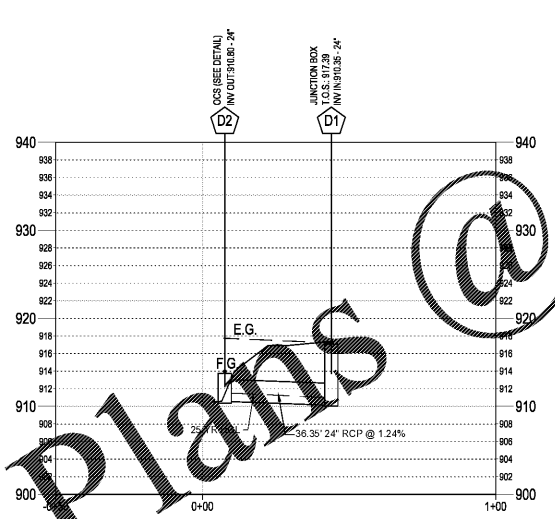
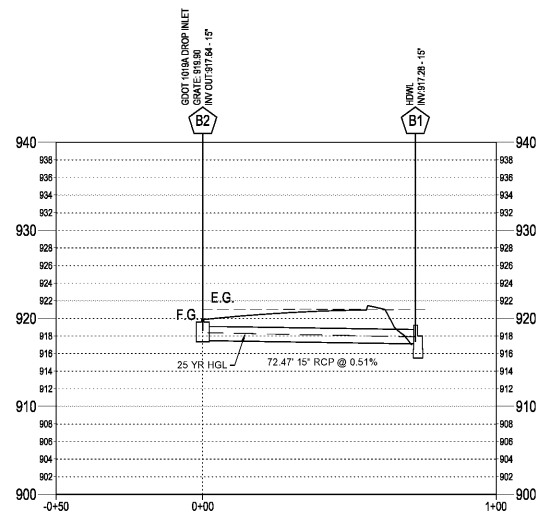
ALL AST2 CMP
STORM PIPING
SHALL BE
SMOOTH BORE



STORM PIPE PROFILES
SCALE: HOR: 1" = 30'
VER: 1" = 10'

MINIMUM COVER REQUIRED = 2 FT
(PIPES SIZED FOR 25 YR. STORM)

E.G. = EXISTING GRADE
F.G. = FINISH GRADE



25 YR STORM PIPE CHART

Line	ToLine	LineLength (ft)	Incr.Area (ac)	TotalArea (ac)	Rnoff Coeff. (C)	Incr C x A	Total C x A	InletTime (min)	Time Conc (min)	Rnfall Int (in/hr)	Total Runoff (cfs)	Adn Flow (cfs)	Total Flow (cfs)	Capac Full (cfs)	Veloc (ft/s)	Pipe Size (in)	Pipe Slope (%)	Inv Elev Dn (ft)	Inv Elev Up (ft)	HGL Dn (ft)	HGL Up (ft)	Grnd/Rim Dn (ft)	Grnd/Rim Up (ft)	Line ID
1	Outfall	68.975	0.41	0.41	0.72	0.3	0.3	5	5	8.2	2.43	0	2.43	4.91	3.98	15	0.49	917.3	917.64	917.92	918.26	919.24	919.9	B1-B0
2	Outfall	65.599	0	1.54	0	0	0.75	5	6.8	7.7	5.81	0	5.81	24.58	5.48	24	1.01	913.84	914.5	914.5	915.35	916.35	920.76	A2-A1
3	2	16.307	0.54	0.54	0.66	0.36	0.36	5	5	8.2	2.94	0	2.94	11.27	4.68	18	0.98	915.5	915.66	916.02	916.31	920.76	920	A2a-A2
4	2	15.971	0.54	0.54	0.17	0.09	0.09	5	5	8.2	0.76	0	0.76	7	3.27	15	1	915.25	915.41	915.53	915.75	920.76	918.41	A2b-A2
5	2	149.486	0.46	0.46	0.66	0.3	0.3	5	5	8.2	2.5	0	2.5	11.36	4.48	18	1	915	916.49	915.48	917.09	920.76	921	A3-A2
1	Outfall	36.352	0	0	0	0	0	0	0	0	0	5.09	5.09	27.26	5.51	24	1.24	910.35	910.8	910.94	911.59	917.39	914.08	D2-D1

24-HOUR CONTACT
JASON BROWN
770-713-9972

JASON P. BROWN
LEVEL II CERTIFIED
DESIGN PROFESSIONAL
#52374 - EXP. 5-1-2020



Utilities shown are for Contractor's convenience. Items are shown schematically and neither the site design professional nor the owner assumes any responsibility for variations in their actual location. This plan may not show and/or may not show any utilities located on site. Contractor shall be responsible to locate and use the services of a private utility locating firm during the entire course of work and shall pay for said services. Contractor shall locate utilities prior to any cut-and-cover (including backfilling, widening and depth of utility) that are to be used and protected. Contractor shall notify the site design professional of any utility conflicts prior to installation of new utilities, paving, etc. The Contractor, at their expense, shall be responsible to repair, replace and/or relocate as necessary any utilities damaged, whether shown or not. Measurements, elevations, etc., of utilities shall be coordinated with the respective utility company.

OWNER
COMPANY: SOUTH ATLANTIC CONFERENCE ASSOCIATION
ADDRESS: 284 HAMILTON E HOLMES DR NW ATLANTA, GA 30318
CONTACT: ANDREA JARRETT
PHONE: -
EMAIL: ajarrett@projectplussolutions.com

CONTRACTOR
COMPANY: TBD
ADDRESS: -
CONTACT: -
PHONE: -
EMAIL: -

SURVEYOR
COMPANY: GEORGIA CIVIL, INC.
ADDRESS: P.O. BOX 896 MADISON, GA 30650
CONTACT: BRIAN SLATE
PHONE: 706-342-1104
FAX: 706-342-1105
EMAIL: bslate@georgiacivil.com

SITE DESIGNER
COMPANY: GEORGIA CIVIL, INC.
ADDRESS: P.O. BOX 896 MADISON, GA 30650
PHONE: 706-342-1104

DRAWING DATE: 8.22.19
DRAWN BY: MKS
CHECKED BY: JPB

REVISIONS
DATE: 01.31.20 DESCRIPTION: ADDRESS COMMENTS

© Copyright 2019 georgia civil, inc. This document and its reproduction are the property of Georgia Civil, Inc. and may not be reproduced, published, or used in whole or in part without the written consent of Georgia Civil, Inc.

STORM WATER MANAGEMENT SYSTEM PROFILES

Sheet Number
C-4.1



georgia civil
CIVIL ENGINEERING
LANDSCAPE ARCHITECTURE
LAND SURVEYING

311 North Main St, Unit C, Ste 101
P.O. Box 896 | Madison, GA 30650
P: 706.342.1104 | F: 706.342.1105

www.georgiacivil.com



Project Information

EMMANUEL SEVENTH DAY ADVENTIST CHURCH
16 188 02 001
1780 ROCK CHAPEL ROAD, LITHONIA, GA 30058
DEKALB, COUNTY
ZONING (COUNTY) - R-85 (RESIDENTIAL MEDIUM LOT)

www.LDILine.com

Order Plans @