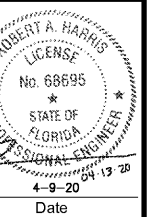
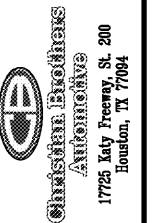


STEWART + REINDERBMA
ARCHITECTURE, PLLC
5450 E. High Street, Suite 200
Phoenix, Arizona 85054
P. 480.515.5123
www.sra360.com

Christian Brothers
Automotive
Wickham Road
Melbourne, Florida



Revisions

1/23/20 - Prototype Update
4/1/20 - City Comments
4/9/20 - T2 Client Rev.

Project No. 19-097

Drawn By: MDB

Date: 03/06/20

Sheet Title:

NATURAL GAS &
COMPRESSED
AIR PLANS

Drawing No.

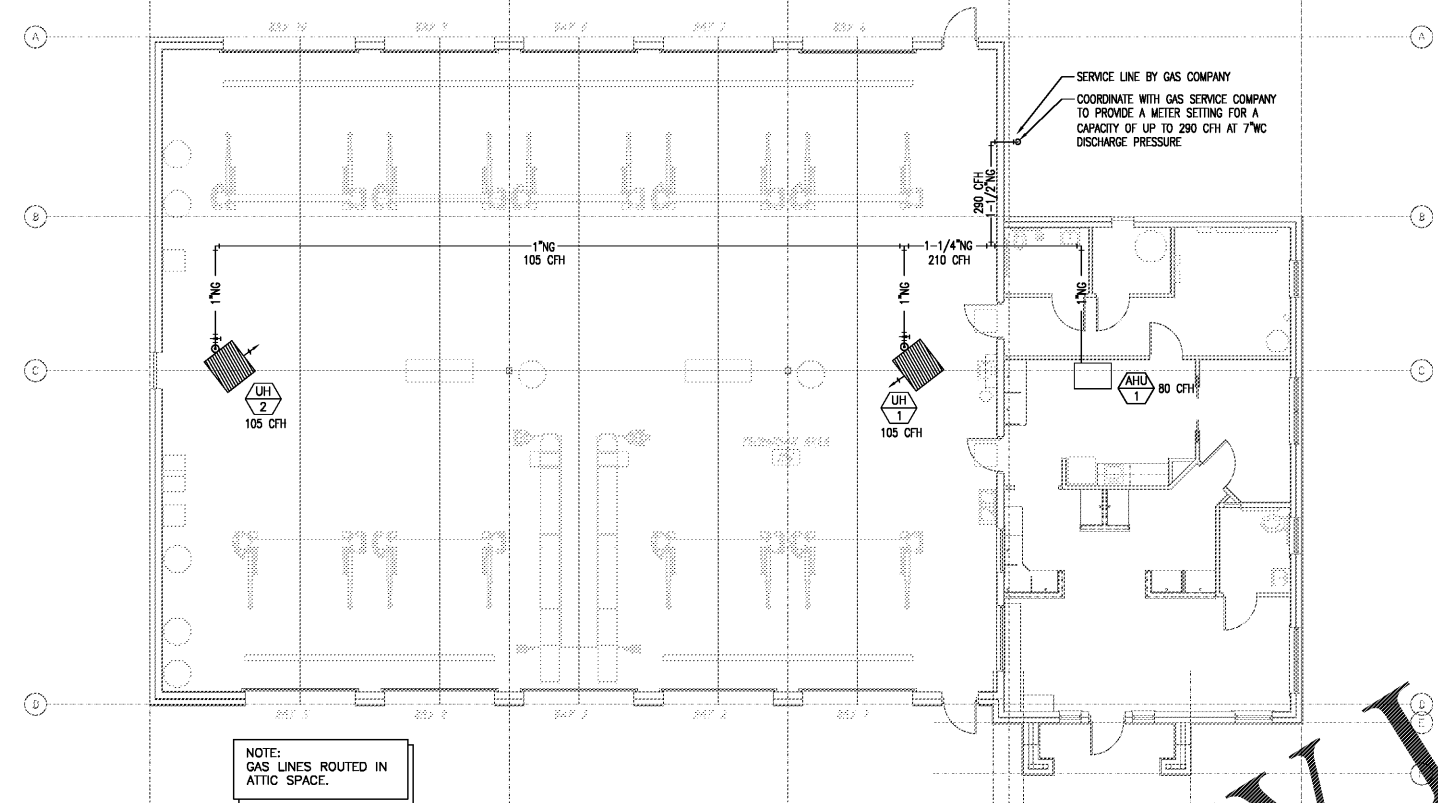
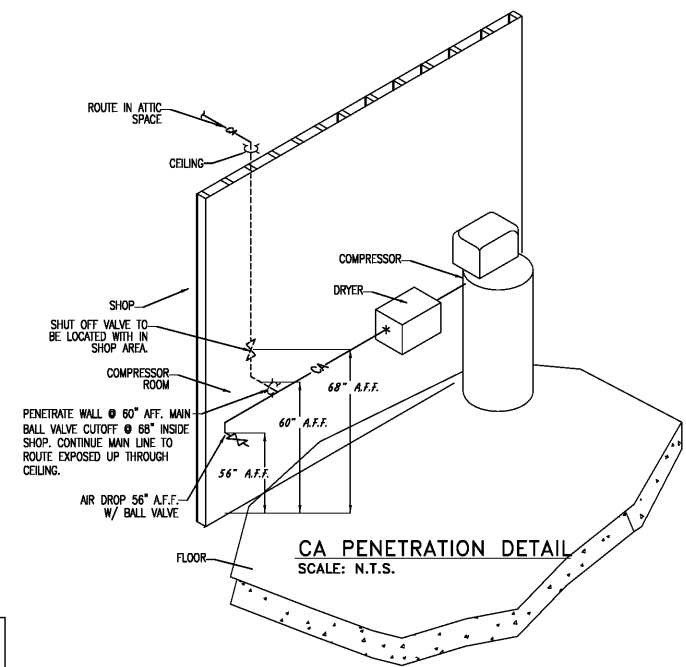
P-3.02

10RHS-11-2019

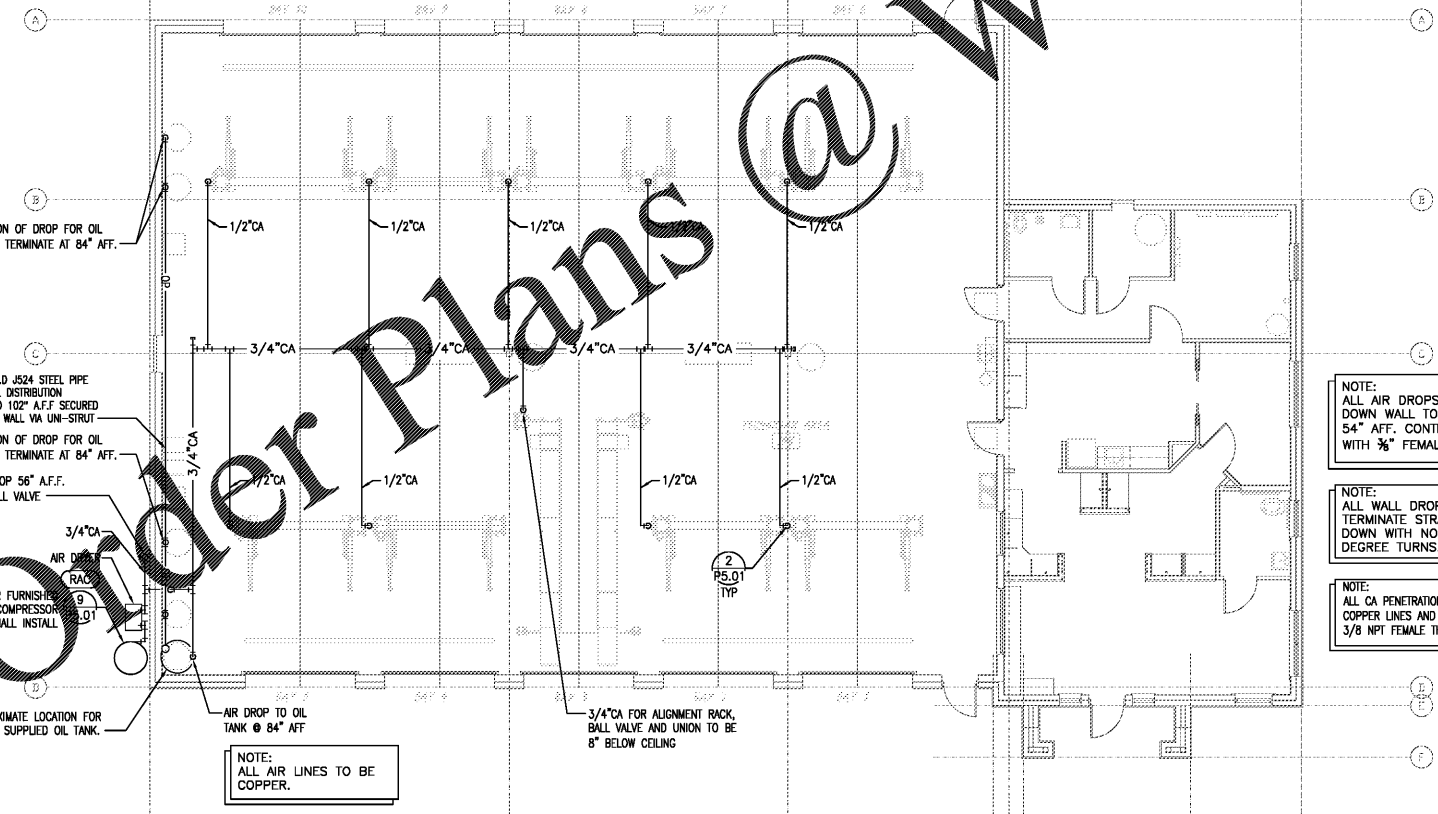
THIS SHEET IS PART OF THE CONSTRUCTION DOCUMENTS. OTHER SHEETS INCLUDING SPECIFICATIONS APPLY. THAT SHOWN HEREON IS SCHEMATIC IN NATURE AND NOT TO BE USED AS A SHOP DRAWING. THEREFORE, INCLUDE ALL MODIFICATIONS REQUIRED TO CONFORM TO SITE CONDITIONS AND THE EQUIPMENT AND MATERIAL USED. VERIFY LOCATIONS AND DIMENSIONS OF ALL ARCHITECTURAL AND STRUCTURAL ELEMENTS AS SHOWN ON THEIR RESPECTIVE DOCUMENTS. THESE ELEMENTS ARE SHOWN FOR REFERENCE AND SHALL BE VERIFIED PRIOR TO CONSTRUCTION AND THE ENGINEER ASSUMES NO LIABILITY FOR THE ACCURACY OF THESE ELEMENTS. NO DESIGN RESPONSIBILITY IS ASSUMED FOR ANY PORTION OF THE WORK THAT THE PROFESSIONAL ENGINEER HAS NOT SIGNED AND SEALED PER STATE/PROVINCE REQUIREMENTS.

Dialectic

Dialectic Inc.
310 W 20th Street, Suite 200
Kansas City, MO 64108
Florida Certificate of
Authorization Number 8039
T 816-997-9601
F 816-997-9602
DialecticEng.com
Copyright 2020



1 NATURAL GAS FLOOR PLAN
SCALE: 1/8"=1'-0"



2 COMPRESSED AIR PLAN
SCALE: 1/8"=1'-0"

WWW.LDILine.com

Order Plans @

OWNER FURNISHES AIR COMPRESSOR. SHALL INSTALL.

APPROXIMATE LOCATION FOR OWNER SUPPLIED OIL TANK.

NOTE: ALL AIR LINES TO BE COPPER.

NOTE: ALL AIR DROPS FROM CEILING DOWN WALL TO BALL VALVE @ 54\"/>

NOTE: ALL WALL DROPS SHALL TERMINATE STRAIGHT DOWN WITH NO 90 DEGREE TURNS.

NOTE: ALL CA PENETRATIONS ARE 1/2\"/>

SERVICE LINE BY GAS COMPANY
COORDINATE WITH GAS SERVICE COMPANY TO PROVIDE A METER SETTING FOR A CAPACITY OF UP TO 280 CFH AT 7\"/>

NOTE: GAS LINES ROUTED IN ATTIC SPACE.

ROUTE IN ATTIC SPACE
CEILING
SHOP
SHUT OFF VALVE TO BE LOCATED WITH IN SHOP AREA
COMPRESSOR ROOM
PENETRATE WALL @ 60\"/>

CA PENETRATION DETAIL
SCALE: N.T.S.