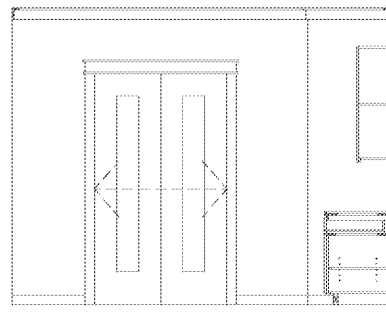
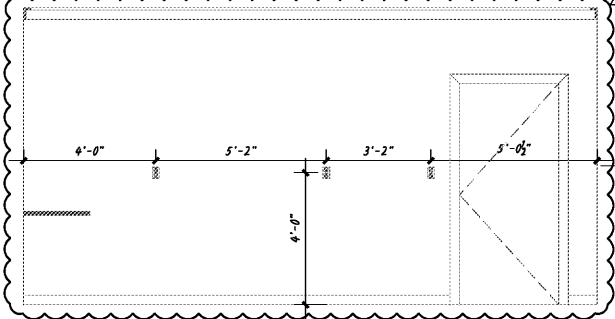


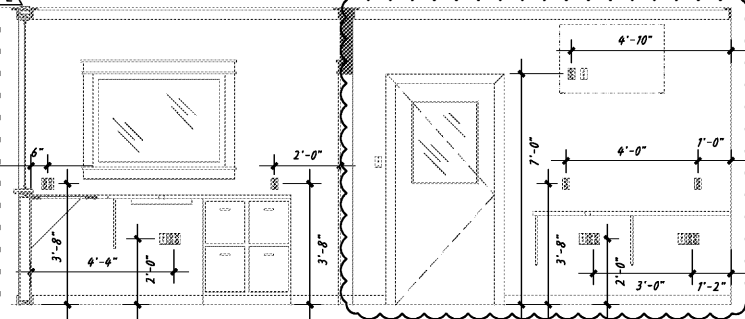
25 LUNCH / WORK 105
SCALE: 3/8" = 1'-0"



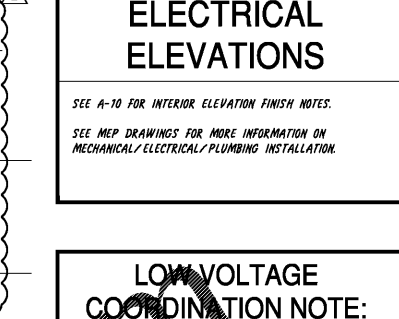
24 LUNCH / WORK 105
SCALE: 3/8" = 1'-0"



23 LUNCH / WORK 105
SCALE: 3/8" = 1'-0"



22 SERVICE 102
SCALE: 3/8" = 1'-0"



21 LUNCH / WORK 105
SCALE: 3/8" = 1'-0"

ELECTRICAL ELEVATIONS

SEE A-10 FOR INTERIOR ELEVATION FINISH NOTES.
SEE MEP DRAWINGS FOR MORE INFORMATION ON MECHANICAL/ELECTRICAL/PLUMBING INSTALLATION.

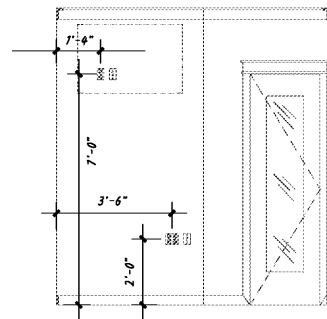
LOW VOLTAGE COORDINATION NOTE:

THE ELECTRICAL SUBCONTRACTOR IS RESPONSIBLE FOR THE PROPER INSTALLATION OF LOW VOLTAGE WIRING WITH THE MECHANICAL/ELECTRICAL/PLUMBING SUBCONTRACTOR.

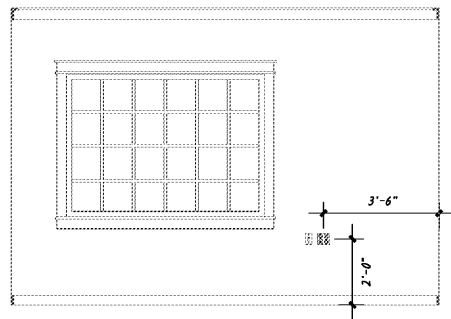
CONTACT GREG MARTIN, AT A MINIMUM, ONE MONTH IN ADVANCE OF NEEDING LOW VOLTAGE WIRE PULLED AND COORDINATE THROUGHOUT CONSTRUCTION PROCESS.

(ELECTRICAL SUB STILL TO PROVIDE ROUGH-IN FOR LV)

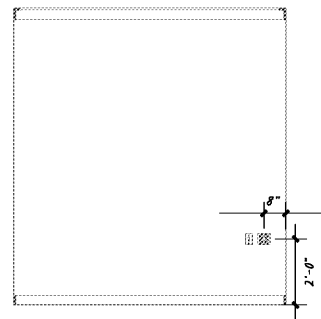
GREG MARTIN
PH: 214-702-2350
GMARTIN@USAVVY.COM



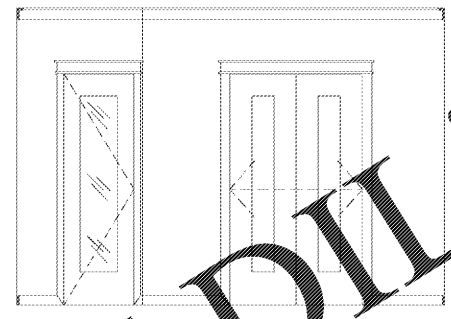
19 MANAGERS OFFICE 104
SCALE: 3/8" = 1'-0"



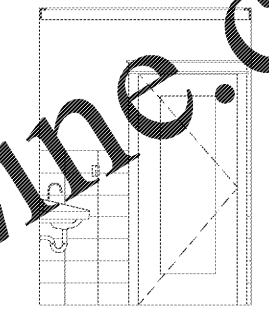
18 MANAGERS OFFICE 104
SCALE: 3/8" = 1'-0"



17 MANAGERS OFFICE 104
SCALE: 3/8" = 1'-0"

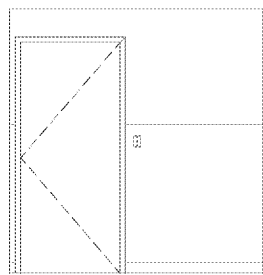


16 MANAGERS OFFICE 104
SCALE: 3/8" = 1'-0"

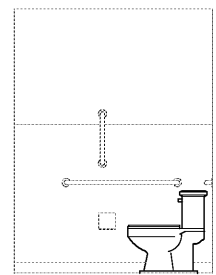


15 TOILET ROOM 103
SCALE: 3/8" = 1'-0"

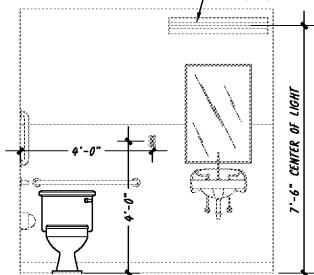
WWW.LDILINE.COM



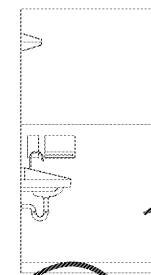
14 TECH. RESTROOM 107
SCALE: 3/8" = 1'-0"



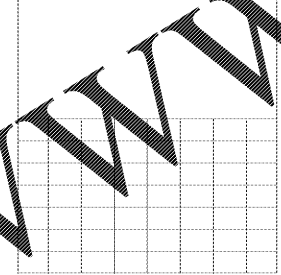
13 TECH. RESTROOM 107
SCALE: 3/8" = 1'-0"



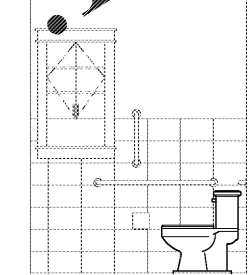
12 TECH. RESTROOM 107
SCALE: 3/8" = 1'-0"



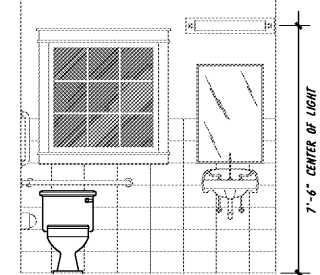
11 TECH. RESTROOM 107
SCALE: 3/8" = 1'-0"



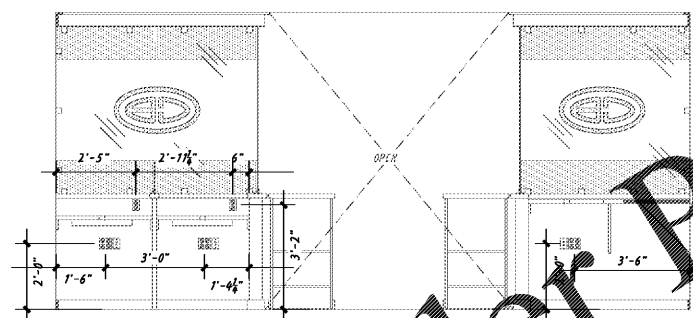
10 TOILET ROOM 103
SCALE: 3/8" = 1'-0"



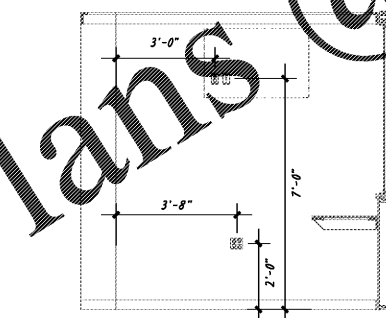
9 TOILET ROOM 103
SCALE: 3/8" = 1'-0"



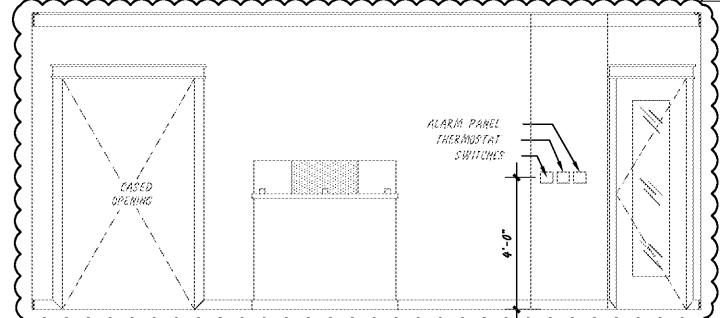
8 TOILET ROOM 103
SCALE: 3/8" = 1'-0"



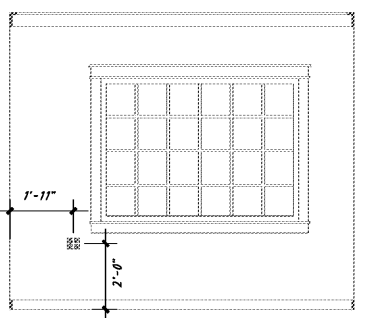
7 SERVICE 102
SCALE: 3/8" = 1'-0"



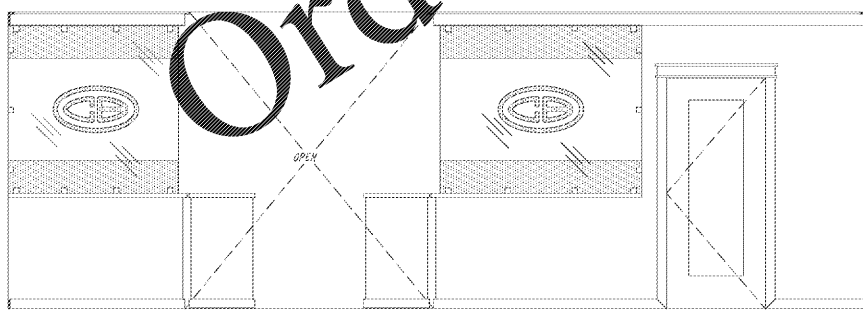
6 SERVICE 102
SCALE: 3/8" = 1'-0"



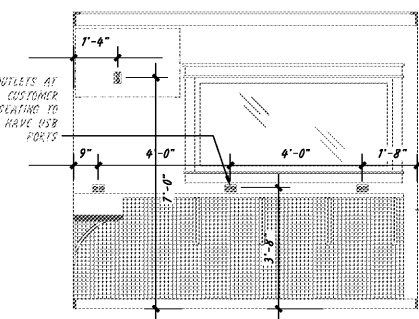
5 SERVICE 102
SCALE: 3/8" = 1'-0"



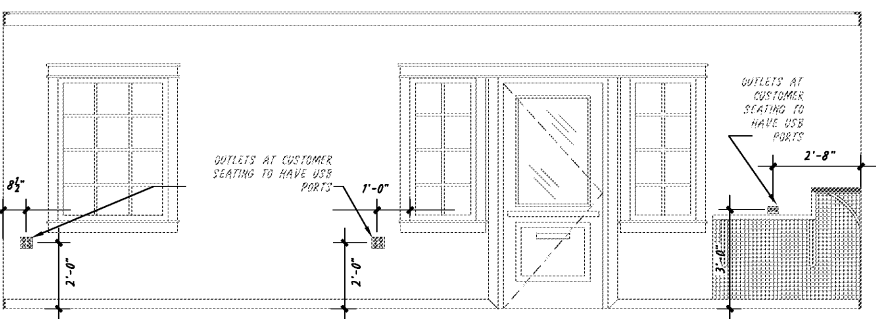
4 RECEPTION / WAITING 101
SCALE: 3/8" = 1'-0"



3 RECEPTION / WAITING 101
SCALE: 3/8" = 1'-0"



2 RECEPTION / WAITING 101
SCALE: 3/8" = 1'-0"



1 RECEPTION / WAITING 101
SCALE: 3/8" = 1'-0"

THIS SHEET IS PART OF THE CONSTRUCTION DOCUMENTS. OTHER SHEETS INCLUDING SPECIFICATIONS APPLY. THAT SHOWN HEREON IS SCHEMATIC IN NATURE AND NOT TO BE USED AS A SHOP DRAWING. THEREFORE, INCLUDE ALL MODIFICATIONS REQUIRED TO CONFORM TO SITE CONDITIONS AND THE EQUIPMENT AND MATERIAL USED. VERIFY LOCATIONS AND DIMENSIONS OF ALL ARCHITECTURAL AND STRUCTURAL ELEMENTS AS SHOWN ON THEIR RESPECTIVE DOCUMENTS. THESE ELEMENTS ARE SHOWN FOR REFERENCE AND SHALL BE VERIFIED PRIOR TO CONSTRUCTION AND THE ENGINEER ASSUMES NO LIABILITY FOR THE ACCURACY OF THESE ELEMENTS. NO DESIGN RESPONSIBILITY IS ASSUMED FOR ANY PORTION OF THE WORK THAT THE PROFESSIONAL ENGINEER HAS NOT SIGNED AND SEALED PER STATE/PROVINCE REQUIREMENTS.

Dialectic

Dialectic Inc.
310 W 20th Street, Suite 200
Kansas City, MO 64108
Florida Certificate of Authorization Number 8039

T 816-997-9601
F 816-997-9602
DialecticEng.com

Copyright 2020



STEWART + REINDERMA
ARCHITECTURE, PLLC

5450 E. High Street, Suite 200
Phoenix, Arizona 85054
P: 480.515.5123
www.sra360.com

Christian Brothers Automotive
Wickham Road
Melbourne, Florida



4/9/20
Date

Revisions	
1/23/20	Prototype Update
4/1/20	City Comments
4/9/20	T2 Client Rev.

Project No. 19-097
Drawn By:
Date: 03/06/20
Sheet Title:

ELECTRICAL INTERIOR ELEVATIONS
Drawing No.

E-4.02
10RHS-11-2019