

**NOTE:**

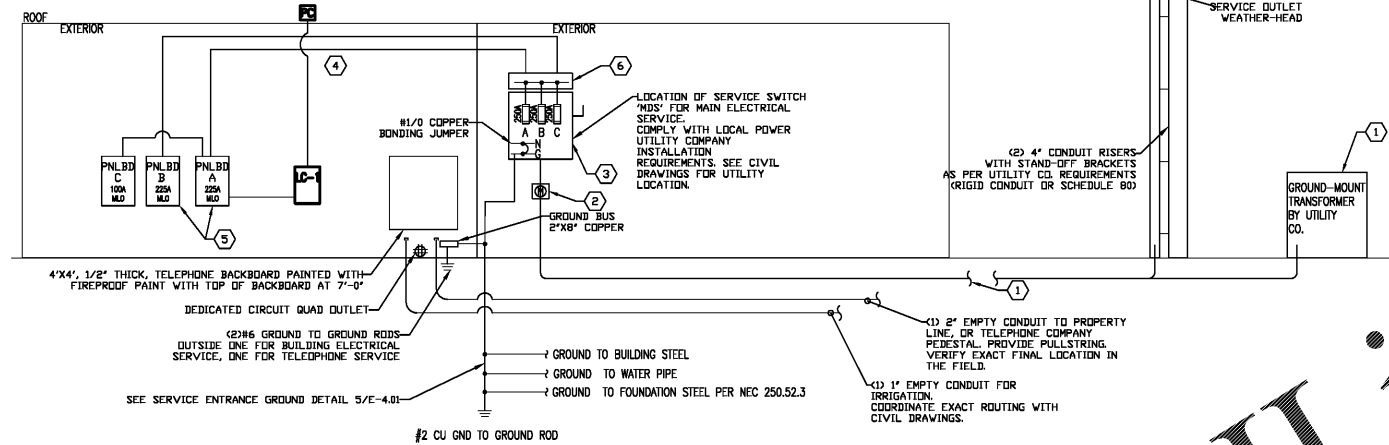
1. ALL WALL MOUNT EXTERIOR ELECTRICAL EQUIPMENT SHALL BE PAINTED TO MATCH EXTERIOR COLOR. COORDINATE FINAL COLOR AND PAINTING REQUIREMENTS WITH ARCHITECT.
2. WIRE SHALL BE TYPE THWN FOR UNDERGROUND AND WET AREAS UNLESS OTHERWISE NOTED.
3. WIRE SHALL BE TYPE THHN FOR DRY ABOVE GRADE APPLICATION UNLESS NOTED OTHERWISE.
4. CONDUIT SHALL BE TYPE EMT UNLESS NOTED OTHERWISE.

**FEEDER SCHEDULE:**

EQUIPMENT MARK	RATING	SETS	FEEDER CONDUCTORS AND GROUND	PIPE	MATERIAL	REMARKS
MDS	250A	1	(4)#250	3"	COPPER	-
A	225A	1	(4)#4/0 & (1)#4G	2-1/2"	COPPER	-
B	225A	1	(4)#4/0 & (1)#4G	2-1/2"	COPPER	-
C	100A	1	(3)#3 & (1)#8G	1-1/4"	COPPER	-
LC-1	30A	1	(4)#10 & (1)#10G	3/4"	COPPER	-

**RISER DIAGRAM FEEDER GENERAL NOTES**

1. CONDUIT INSTALLED BELOW SLAB SHALL BE RIGID STEEL, IMC, PVC OR HDPE, MINIMUM 3/4". IF PVC OR HDPE IS USED, TRANSITION TO RIGID STEEL BEFORE TURNING UP AND PENETRATING FLOOR SLAB.
2. GROUNDING ELECTRODE SHALL BE ROUTED IN PVC CONDUIT AND CONNECTED TO UNPAINTED STEEL OR A GROUNDED COLD WATER PIPE.



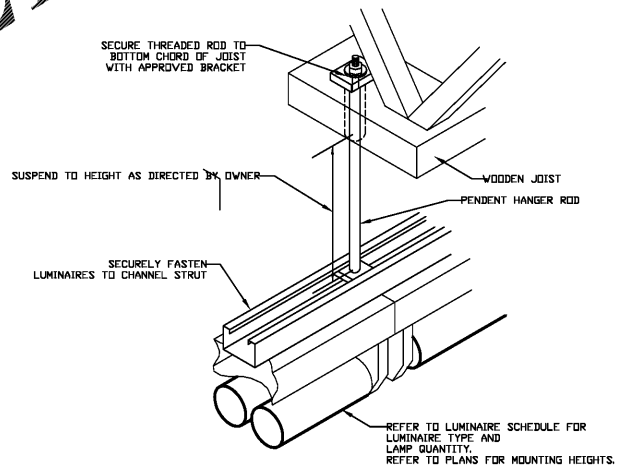
1 ELECTRICAL RISER DIAGRAM  
SCALE: NONE

**ELECTRICAL NOTES:**

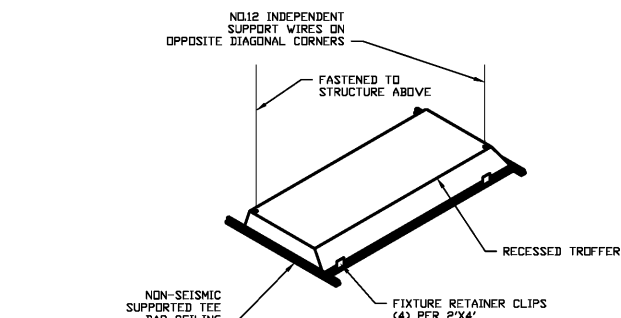
1. ROUTE SERVICE FEEDER TO UTILITY TRANSFORMER. COORDINATE UTILITY TRANSFORMER TYPE & FAULT CURRENT WITH LOCAL UTILITY COMPANY PRIOR TO COMMENCEMENT OF WORK. TRANSFORMER TO BE EITHER GROUND-MOUNT TRANSFORMER OR POLE-MOUNT TRANSFORMER.
2. PROVIDE 320A METER SOCKET PER UTILITY COMPANY REQUIREMENTS.
3. PROVIDE A 400A/3P/250AF NEMA 3R DISCONNECT SERVICE SWITCH. STUB UP ELECTRICAL SERVICE CONDUITS INTO SWITCH. PROVIDE LUGS AS REQUIRED.
4. ALL EQUIPMENT AT TECH RESTROOM WALL TO BE STACKED VERTICALLY WHERE POSSIBLE TO CONSERVE SPACE.
5. (2) 120/208V, 3φ, 4W PANELS WITH 225A BUS.
6. PROVIDE NEMA 3 WIREWAY ABOVE DISCONNECT SWITCH SIZED PER NEC REQUIREMENTS.

**GENERAL NOTES:**

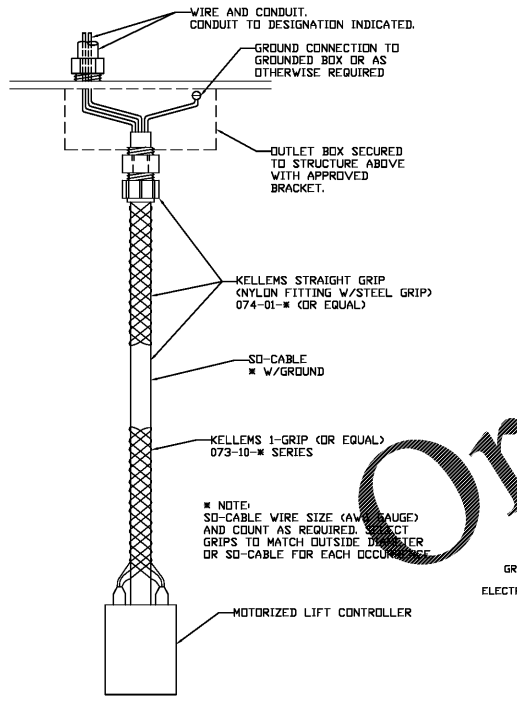
1. PROVIDE GROUNDING CONDUCTORS FOR ALL CONDUITS.
2. ALL WORK FOR CONNECTION OF ELECTRICAL SERVICE SHALL COMPLY WITH ELECTRICAL UTILITY COMPANY STANDARDS.
3. PROVIDE INSULATED GROUND BUS FOR ALL PANELS.
4. ELECTRICAL SYSTEM SHALL BE FULLY RATED. SERIES RATED EQUIPMENT SHALL NOT BE ACCEPTED.
5. PROVIDE FULL LENGTH, FULL SIZE GROUND AND NEUTRAL BUS IN ALL PANELBOARDS.
6. ALL INDOOR EQUIPMENT SHALL BE IN NEMA 1 ENCLOSURE, AND ALL EXTERIOR EQUIPMENT SHALL BE NEMA 3R.
7. COORDINATE EQUIPMENT LOCATIONS WITH ARCHITECTURAL ELEVATIONS.
8. MAXIMUM SERVICE FEEDER TO BE MAXIMUM OF 100' IN LENGTH FOR CONDUIT AND CONDUCTOR SIZE. CONTRACTOR TO INCREASE WIRE SIZES IF FEEDER LENGTH TO BE LONGER THAN 100'. COORDINATE EXACT LENGTH AND ROUTING OF FEEDER WITH CIVIL DRAWINGS.



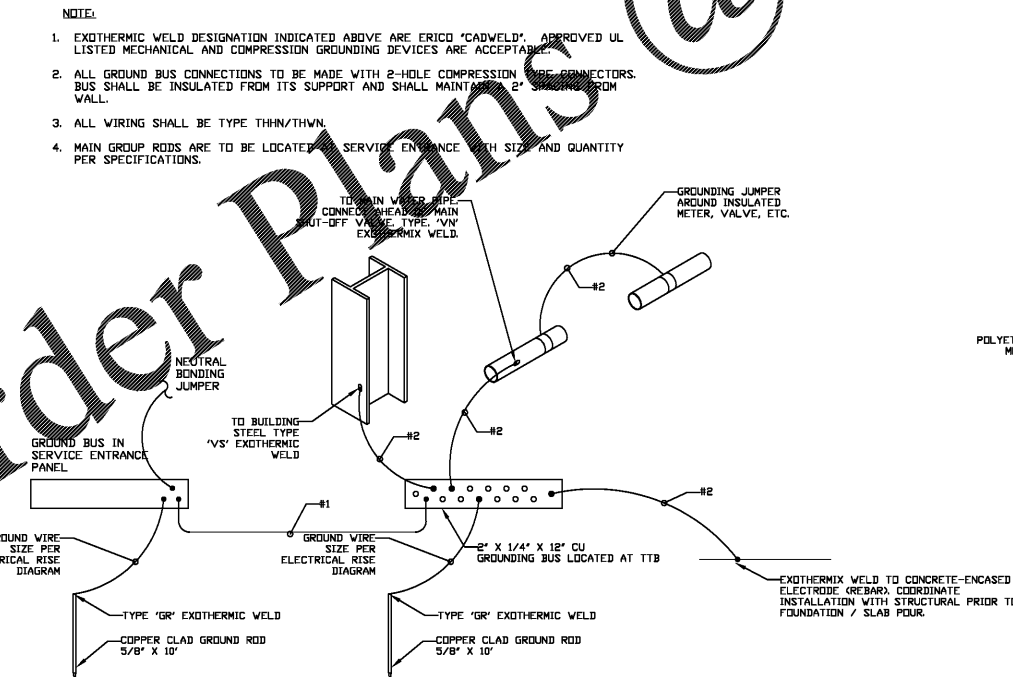
2 STRIP LUMINAIRE DETAIL  
NOT TO SCALE



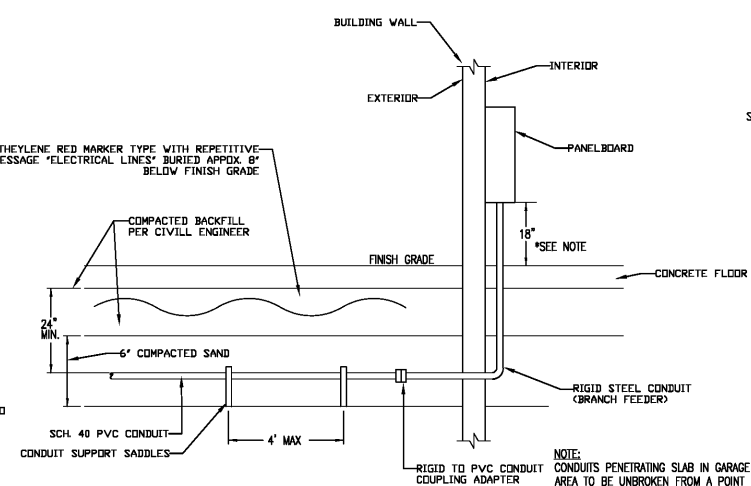
3 TYPICAL LIGHT FIXTURE HANGERS  
NOT TO SCALE



6 TYPICAL SO DROP CORD DETAIL  
NOT TO SCALE



5 SERVICE ENTRANCE GROUND DETAIL  
NOT TO SCALE



4 TYPICAL UNDERGROUND CONDUIT RUN  
NOT TO SCALE

THIS SHEET IS PART OF THE CONSTRUCTION DOCUMENTS. OTHER SHEETS INCLUDING SPECIFICATIONS APPLY. THAT SHOWN HEREON IS SCHEMATIC IN NATURE AND NOT TO BE USED AS A SHOP DRAWING. THEREFORE, INCLUDE ALL MODIFICATIONS REQUIRED TO CONFORM TO SITE CONDITIONS AND THE EQUIPMENT AND MATERIAL USED. VERIFY LOCATIONS AND DIMENSIONS OF ALL ARCHITECTURAL AND STRUCTURAL ELEMENTS AS SHOWN ON THEIR RESPECTIVE DOCUMENTS. THESE ELEMENTS ARE SHOWN FOR REFERENCE AND SHALL BE VERIFIED PRIOR TO CONSTRUCTION AND THE ENGINEER ASSUMES NO LIABILITY FOR THE ACCURACY OF THESE ELEMENTS. NO DESIGN RESPONSIBILITY IS ASSUMED FOR ANY PORTION OF THE WORK THAT THE PROFESSIONAL ENGINEER HAS NOT SIGNED AND SEALED PER STATE/PROVINCE REQUIREMENTS.

**Dialectic**

Dialectic Inc.  
310 W 20th Street, Suite 200  
Kansas City, MO 64108  
Florida Certificate of Authorization Number 8039  
T 816-997-9601  
F 816-997-9602  
DialecticEng.com  
Copyright 2020



STEWART + REINDERBMA  
ARCHITECTURE, PLLC  
5450 E. High Street, Suite 200  
Phoenix, Arizona 85054  
P. 480.515.5123  
www.sra360.com

Christian Brothers  
Automotive  
Wickham Road  
Melbourne, Florida

Christian Brothers  
Automotive  
1726 Katy Freeway, St. 200  
Houston, TX 77004

Professional Engineer  
P.E. 76304  
STATE OF FLORIDA  
4/15/20  
4-9-20  
Date

Revisions  
1/23/20 - Prototype Update  
4/1/20 - City Comments  
4/9/20 - T2 Client Rev.

Project No. 19-097  
Drawn By:  
Date: 03/06/20  
Sheet Title:  
ELECTRICAL  
DIAGRAMS &  
DETAILS  
Drawing No.

E-4.01  
10RHS-11-2019