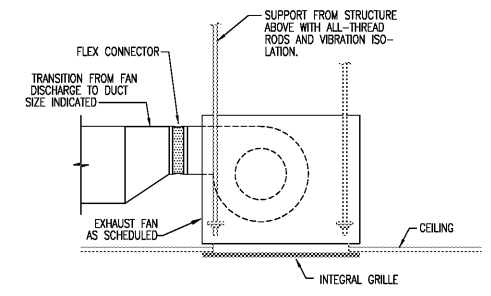
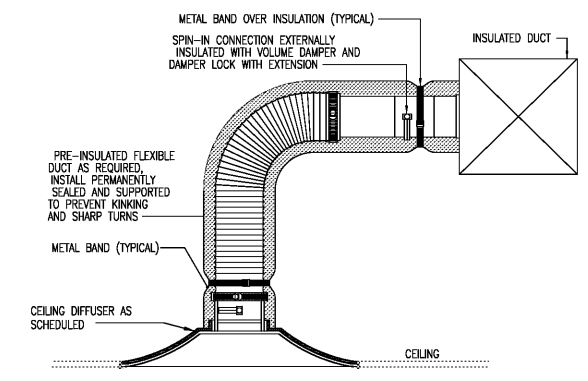


NOTE:  
1. THIS CONNECTION SHALL BE TYPICAL FOR ALL RECTANGULAR BRANCH DUCT CONNECTIONS TO RECTANGULAR TRUNK DUCTS, INCLUDING SUPPLY, RETURN, OUTSIDE AIR AND EXHAUST DUCTS.

1 RECTANGULAR BRANCH TAP DETAIL  
NO SCALE

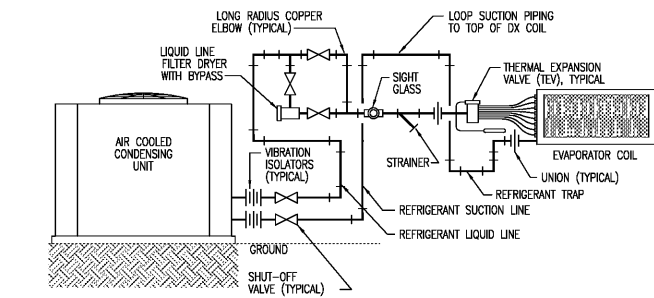


2 CEILING MOUNTED CABINET EXHAUST FAN DETAIL  
NO SCALE



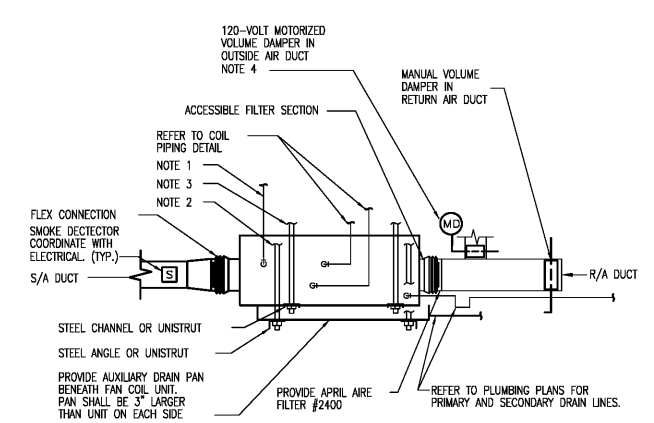
NOTE:  
EXTEND HARD METAL DUCT SO THAT MAXIMUM FLEXIBLE DUCT LENGTH DOES NOT EXCEED 5'-0\"/>

3 LAY-IN TYPE CEILING DIFFUSER DETAIL  
NO SCALE



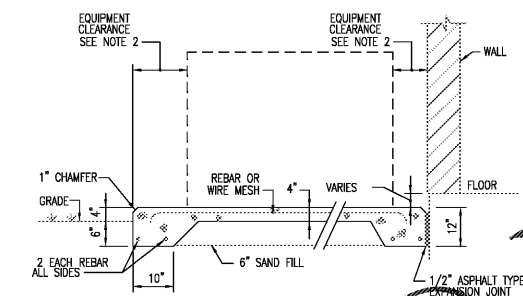
NOTES:  
1. SUCTION LINE TRAP TO BE EXTENDED ABOVE EVAPORATOR COIL.  
2. CONTRACTOR TO VERIFY PIPE SIZES REQUIRED WITH EQUIPMENT SUPPLIER.  
3. PITCH SUCTION LINE TOWARDS CONDENSING UNIT.  
4. SIGHT GLASS TO BE FULL LINE SIZE AND INSTALLED IN THE MAIN LIQUID LINE.  
5. LOCATE TEV BULB 45° ABOVE BOTTOM OF PIPE.

4 REFRIGERANT PIPING DETAIL WITH COIL ABOVE CEILING CIRCUIT  
NO SCALE



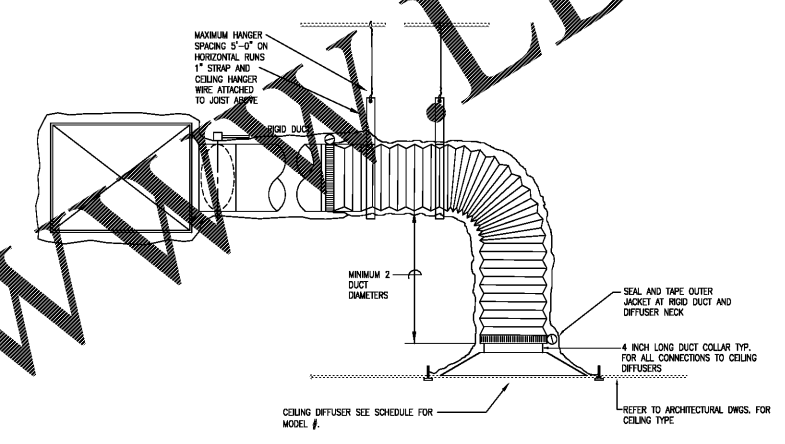
NOTES:  
1. PROVIDE MISCELLANEOUS GALVANIZED SUPPORT ANGLE OR CHANNEL AS REQUIRED TO BRIDGE STRUCTURE.  
2. SUSPEND DRAIN PAN WITH SUPPORT RODS WHEN ATTACHED TO BUILDING STRUCTURE.  
3. ATTACH TO STRUCTURE WITH VIBRATION ISOLATION.  
4. INTERLOCK DAMPER ACTUATOR WITH FAN COIL UNIT THERMOSTAT.  
\* FAN ENERGIZED - OPEN DAMPER  
\* FAN DE-ENERGIZED - CLOSED DAMPER  
5. GAS PIPING, REF: P3.02

5 AIR HANDLING UNIT MOUNTING  
NO SCALE



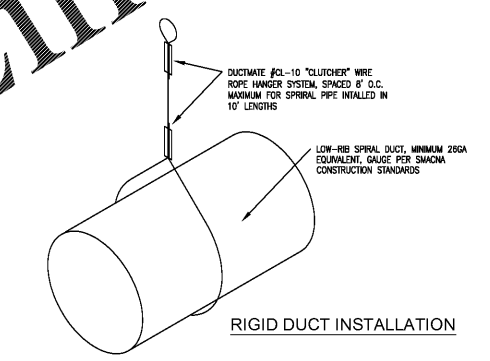
NOTES:  
1. SLOPE SLAB A MINIMUM OF 1/2\"/>

6 EXTERIOR EQUIPMENT PAD DETAIL  
NO SCALE

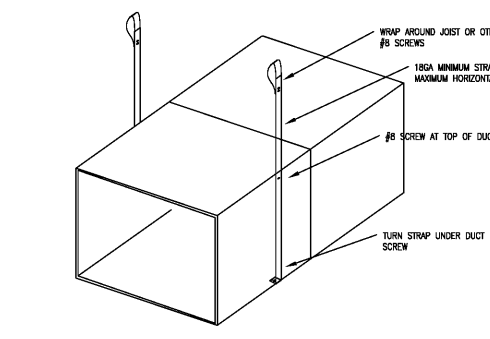


NOTES:  
1. SLOPE SLAB A MINIMUM OF 1/2\"/>

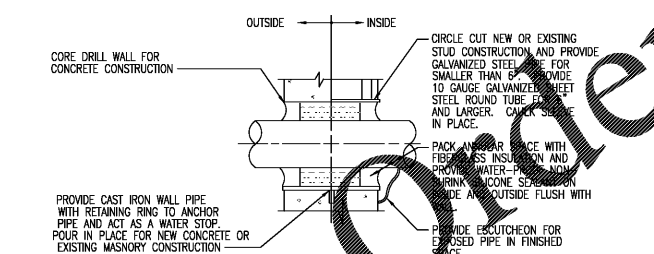
7 DUCT SUPPORT DETAIL  
NO SCALE



8 RIGID DUCT INSTALLATION

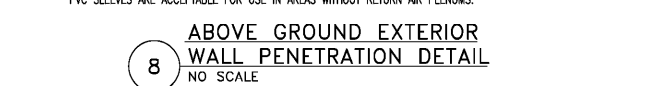


9 REFRIGERANT PIPING SUPPORT ON GROUND  
NO SCALE

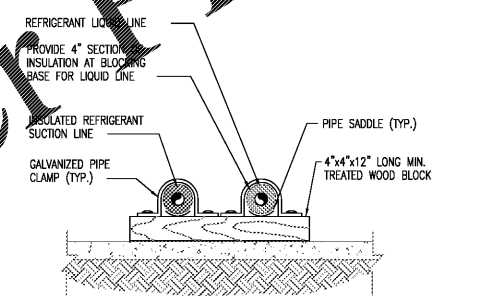


NOTE:  
1. TYPICAL OF ALL ACCESSIBLE ROUND DUCT CONNECTIONS TO RECTANGULAR DUCT.

10 SPIN-IN CONNECTION  
NO SCALE

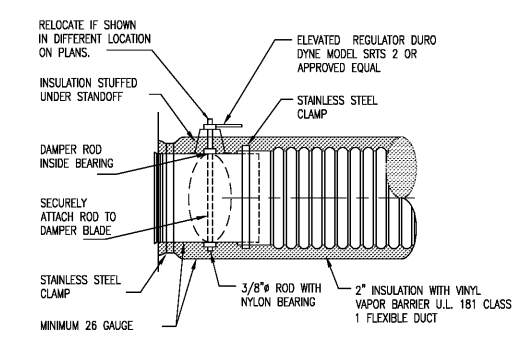


11 HEATER DETAIL  
NO SCALE



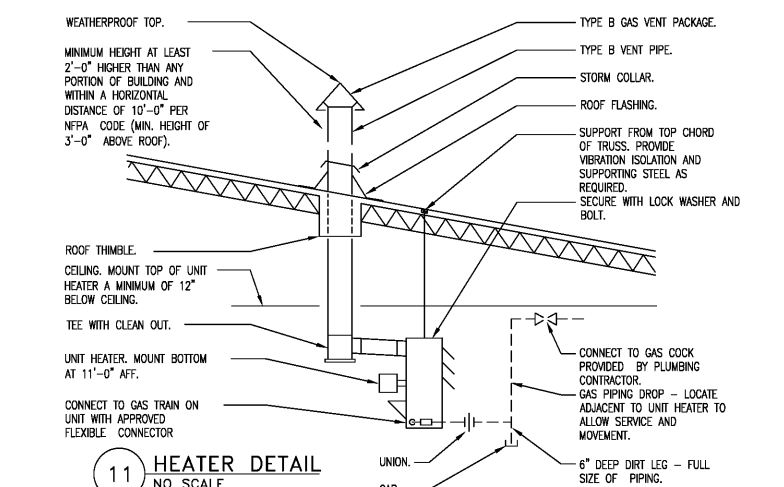
NOTE: PROVIDE SUPPORTS AT 3'-0\"/>

12 ABOVE GROUND EXTERIOR WALL PENETRATION DETAIL  
NO SCALE



NOTE: PROVIDE SUPPORTS AT 3'-0\"/>

13 REFRIGERANT PIPING SUPPORT ON GROUND  
NO SCALE



14 HEATER DETAIL  
NO SCALE

THIS SHEET IS PART OF THE CONSTRUCTION DOCUMENTS. OTHER SHEETS INCLUDING SPECIFICATIONS APPLY. THAT SHOWN HEREON IS SCHEMATIC IN NATURE AND NOT TO BE USED AS A SHOP DRAWING. THEREFORE, INCLUDE ALL MODIFICATIONS REQUIRED TO CONFORM TO SITE CONDITIONS AND THE EQUIPMENT AND MATERIAL USED. VERIFY LOCATIONS AND DIMENSIONS OF ALL ARCHITECTURAL AND STRUCTURAL ELEMENTS AS SHOWN ON THEIR RESPECTIVE DOCUMENTS. THESE ELEMENTS ARE SHOWN FOR REFERENCE AND SHALL BE VERIFIED PRIOR TO CONSTRUCTION AND THE ENGINEER ASSUMES NO LIABILITY FOR THE ACCURACY OF THESE ELEMENTS. NO DESIGN RESPONSIBILITY IS ASSUMED FOR ANY PORTION OF THE WORK THAT THE PROFESSIONAL ENGINEER HAS NOT SIGNED AND SEALED PER STATE/PROVINCE REQUIREMENTS.

**Dialectic**  
Dialectic Inc.  
310 W 20th Street, Suite 200  
Kansas City, MO 64108  
Florida Certificate of Authorization Number 8039  
T 816-997-9801  
F 816-997-9802  
DialecticEng.com  
Copyright 2020