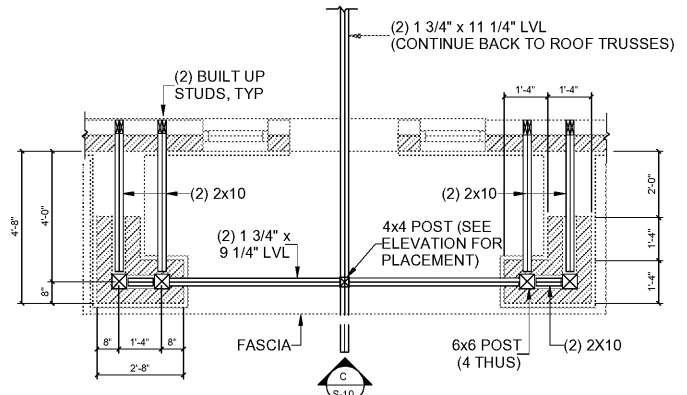
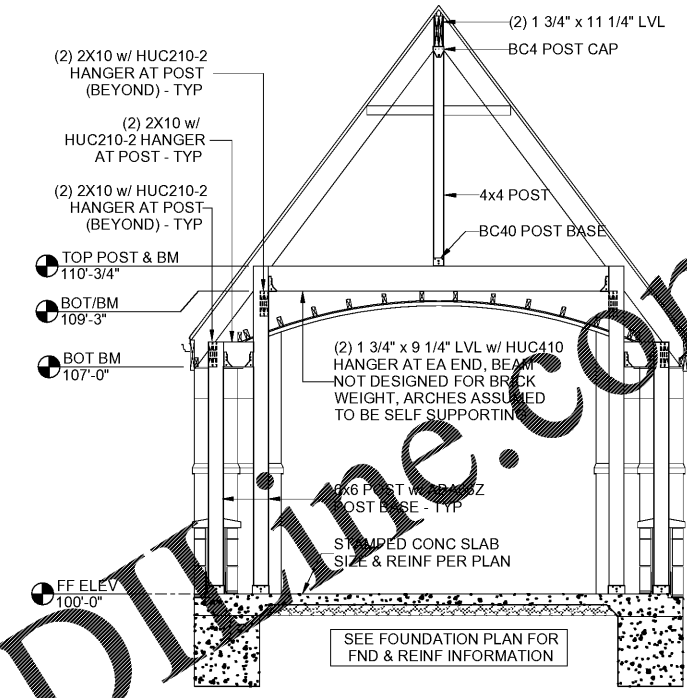


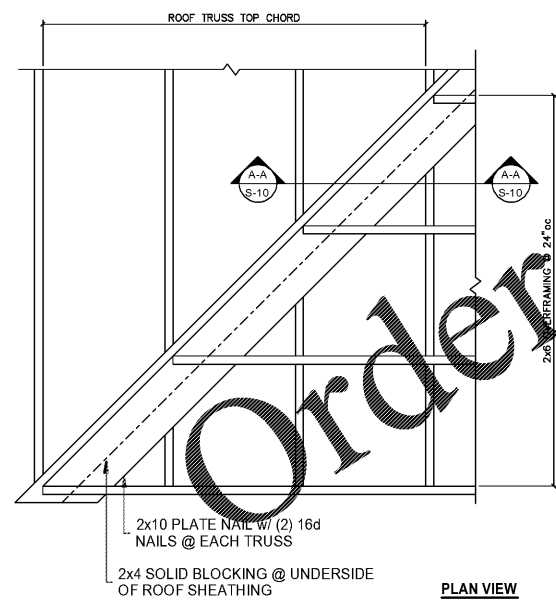
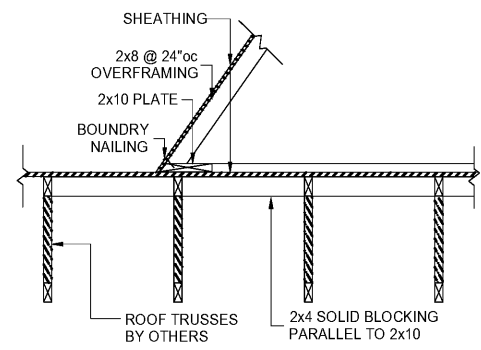
A FRAMING PLAN @ TYPICAL ENTRY
S-10 N.T.S.



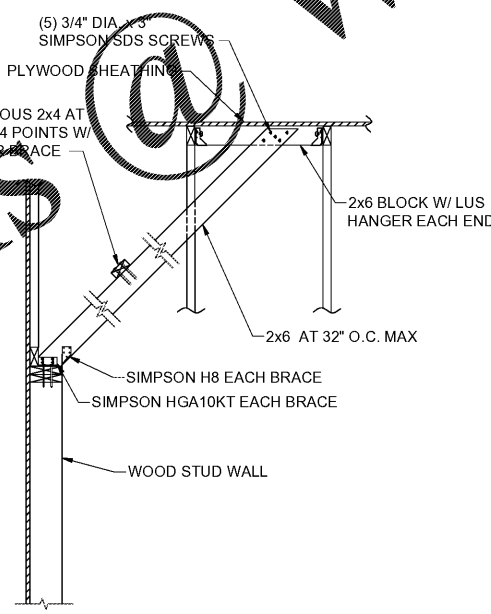
B HIGH FRAMING PLAN @ TYPICAL ENTRY
S-10 N.T.S.



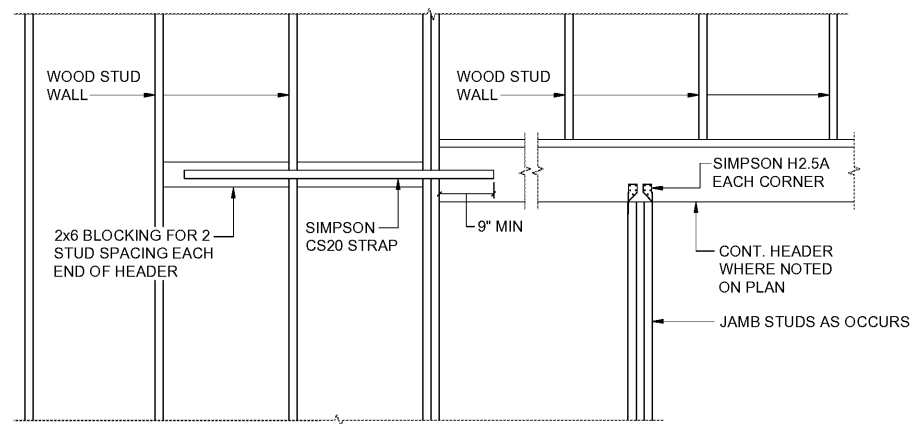
C FRAMING ELEVATION @ ENTRY
S-10 N.T.S.



D OVERFRAMING @ ENTRANCE
S-10 N.T.S.



E NON BEARING EXTERIOR WOOD BRACE
S-10 N.T.S.



F STRAP AT HEADER
S-10 N.T.S.

PROJECT NUMBER	19-1252	PROJECT MANAGER	RAD
PROJECT ENGINEER	RAD	PROJECT DRAFTER	JSB

THESE DRAWINGS/CALCULATIONS ARE CONSIDERED PRELIMINARY - NOT FOR CONSTRUCTION OR RECORDING UNLESS THE STRUCTURAL ENGINEER OF RECORD'S SEAL IS AFFIXED WITH WRITTEN SIGNATURE

CARUSO TURLEY SCOTT INC.
consulting structural engineers
1215 W. Rio Salado Pkwy
Suite 200
Tempe, Arizona 85281
(480) 774-1700
(480) 774-1701 FAX
www.ctsar.com

STEWART-REINDERSMA ARCHITECTURE, PLLC
5450 E. High Street, Suite 200
Phoenix, Arizona 85054
P. 480.515.5123
www.sra360.com

Christian Brothers Automotive
Wickham Road
Melbourne, Florida

Christian Brothers Automotive
1726 Katy Freeway, St. 200
Houston, TX 77054

PAUL G. SCOTT
LICENSE
No. 39322
STATE OF FLORIDA
PROFESSIONAL ENGINEER
Date

Revisions
11/13/19 - Prototype Update

Project No. 19-097

Drawn By:

Date: 03/06/20

Sheet Title:

FRAMING & ELEVATION AT ENTRANCE

Drawing No.

S-10
10RHS-11-2019