

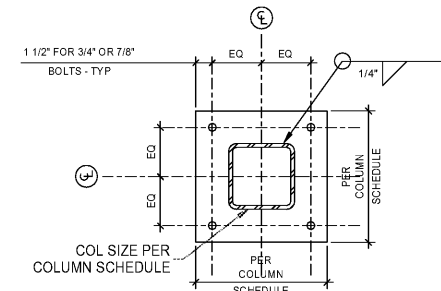
SPECIAL INSPECTIONS

- REFER TO THE SPECIAL INSPECTION TABLES FOR THE LIST OF ELEMENTS OF CONSTRUCTION THAT SHALL REQUIRE SPECIAL INSPECTION. THIS SHALL BE CONSIDERED A GUIDE, AND THE CONTRACTOR AND INSPECTOR SHALL REFER TO THE FBC FOR COMPLETE REQUIREMENTS, QUALIFICATIONS, EXCEPTIONS, AND SUBMITTALS. THE OWNER SHALL BE RESPONSIBLE FOR EMPLOYING THE SPECIAL INSPECTION AGENCY. ANY "OBSERVATIONS" BY THE EOR WILL NOT BE TO PERFORM SPECIAL INSPECTIONS AND SHALL NOT BE INTERPRETED AS SUCH.
- COPIES OF ALL INSPECTION REPORTS THAT REPORT COMPLIANCE SHALL BE SUBMITTED TO THE ARCHITECT OF RECORD, STRUCTURAL ENGINEER OF RECORD, AND BUILDING INSPECTOR WITHIN 7 CALENDAR DAYS OF COMPLETION OF THAT PORTION OF WORK. A MINIMUM OF ONE (1) PROGRESS REPORT PER MONTH FOR EACH TYPE OF CONSTRUCTION REQUIRING SPECIAL INSPECTION SHALL BE SUBMITTED TO THE STRUCTURAL ENGINEER OF RECORD.
- SPECIAL INSPECTOR SHALL INFORM ENGINEER OF RECORD IMMEDIATELY OF NON-COMPLIANCE WITH CONSTRUCTION DOCUMENTS OR APPROVED SUBMITTALS. CONTACT ENGINEER OF RECORD THE SAME DAY NON-COMPLIANCE IS DISCOVERED AND FOLLOW UP WITH AN OFFICIAL REPORT WITHIN 2 BUSINESS DAYS.
- THE SPECIAL INSPECTIONS IDENTIFIED ON THE PLANS ARE IN ADDITION TO, AND NOT A SUBSTITUTE FOR, THOSE INSPECTIONS REQUIRED TO BE PERFORMED BY A BUILDING INSPECTOR.
- SPECIAL INSPECTIONS ARE NOTED AS EITHER "CONTINUOUS" OR "PERIODIC". A "CONTINUOUS" INSPECTION REQUIRES THE PRESENCE OF A QUALIFIED INSPECTOR IN THE VICINITY OF THE WORK BEING PERFORMED FOR 100% OF THAT WORK. A "PERIODIC" INSPECTION REQUIRES PART-TIME OBSERVATION OF THE WORK BEING PERFORMED. THE INSPECTOR SHALL ALSO OBSERVE THE FINAL CONDITION OF THE WORK BEFORE IT IS CLOSED FOR VIEW.
- WHEN WORK IN MORE THAN ONE CATEGORY OF WORK REQUIRING SPECIAL INSPECTION IS TO BE PERFORMED SIMULTANEOUSLY, OR THE GEOGRAPHIC LOCATION OF THE WORK IS SUCH THAT IT CANNOT BE CONTINUOUSLY OBSERVED, IT SHALL BE THE RESPONSIBILITY OF THE AGENT TO EMPLOY A SUFFICIENT NUMBER OF SPECIAL INSPECTORS TO ASSURE THAT ALL WORK IS CONTINUOUSLY INSPECTED IN ACCORDANCE WITH THOSE PROVISIONS.

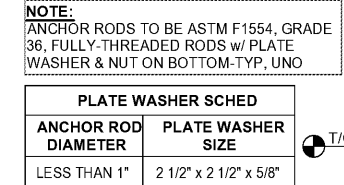
SPECIAL INSPECTIONS - CONCRETE TABLE		
ITEM	INSPECTION FREQUENCY	SCOPE
REINFORCEMENT	PERIODIC	INSPECT REINFORCEMENT AND PLACEMENT, VERIFY CONFORMANCE WITH CONSTRUCTION DOCUMENTS, AND THAT BARS ARE FREE FROM MATERIALS THAT COULD PREVENT BOND, ARE ADEQUATELY LAPPED, SPLICED, TIED, AND SUPPORTED
ANCHOR INSTALLATION	PERIODIC	INSPECT CAST-IN-PLACE ANCHORS AND BOLTS
ANCHOR INSTALLATION	PERIODIC	INSPECT POST-INSTALLED MECHANICAL AND ADHESIVE ANCHORS NOT OTHERWISE SPECIFIED
MIX DESIGN	PERIODIC	VERIFY USE OF APPROVED MIX DESIGN
SAMPLING AND TESTING	CONTINUOUS	PRIOR TO CONCRETE PLACEMENT, FABRICATE SPECIMENS FOR STRENGTH TESTING, PERFORM SLUMP AND AIR CONTENT TESTS, AND DETERMINE TEMPERATURE OF THE CONCRETE
CONCRETE PLACEMENT	PERIODIC	VERIFY MAINTENANCE OF CURING TEMPERATURE AND TECHNIQUES

SPECIAL INSPECTIONS - WOOD TABLE		
ITEM	INSPECTION FREQUENCY	SCOPE
PREMANUFACTURED WOOD STRUCTURAL ELEMENTS AND ASSEMBLIES		SEE "OFF-SITE FABRICATION" SPECIAL INSPECTION TABLE
DIAPHRAGM AND SHEAR WALL	PERIODIC	WOOD SHEAR WALLS, SHEAR PANELS, AND DIAPHRAGMS, INCLUDING NAILING, BOLTING, ANCHORING, AND OTHER FASTENING TO COMPONENTS OF THE MAIN LATERAL SYSTEM WHEN THE FASTENER SPACING IS LESS THAN OR EQUAL TO 4 INCHES ON CENTER

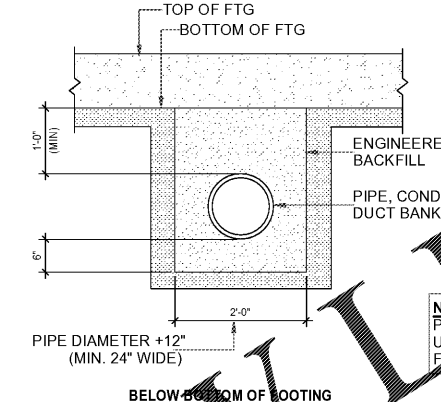
SPECIAL INSPECTIONS - OFF-SITE FABRICATION (INCLUDING PRE-MANUFACTURED WOOD STRUCTURAL ELEMENTS AND ASSEMBLIES, AND STEEL FABRICATING)		
ITEM	INSPECTION FREQUENCY	SCOPE
FABRICATION AND IMPLEMENTATION PROCEDURES	PERIODIC	VERIFY THAT FABRICATOR MAINTAINS DETAILED FABRICATION AND QUALITY CONTROL PROCEDURES THAT PROVIDE A BASIS FOR INSPECTION CONTROL OF THE WORKMANSHIP AND THE FABRICATOR'S ABILITY TO CONFORM TO APPROVED CONSTRUCTION DOCUMENTS AND REFERENCED STANDARDS; REVIEW PROCEDURES FOR COMPLETENESS AND ADEQUACY RELATIVE TO THE CODE REQUIREMENTS FOR THE FABRICATOR'S SCOPE OF WORK
NOTE		SPECIAL INSPECTION FOR OFF-SITE FABRICATION IS NOT REQUIRED FOR FABRICATORS APPROVED BY THE BUILDING OFFICIAL IN ACCORDANCE WITH THE CODE



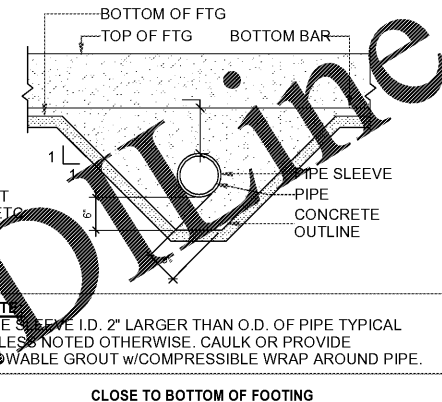
A TYP BASE PLATE DETAIL
S-3 N.T.S.



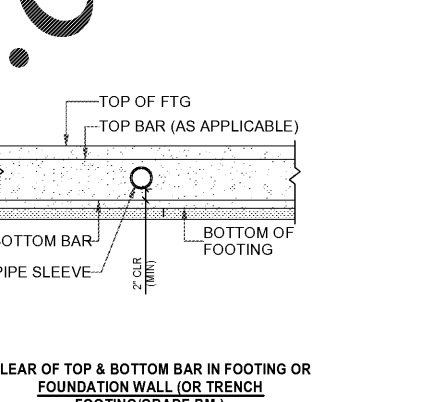
B TYP ANCHOR BOLT DETAIL
S-3 N.T.S.



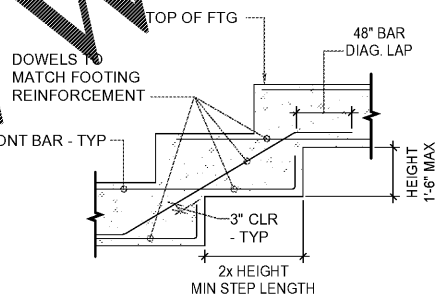
C TYPICAL FOUNDATION PIPE PENETRATION DETAILS
S-3 N.T.S.



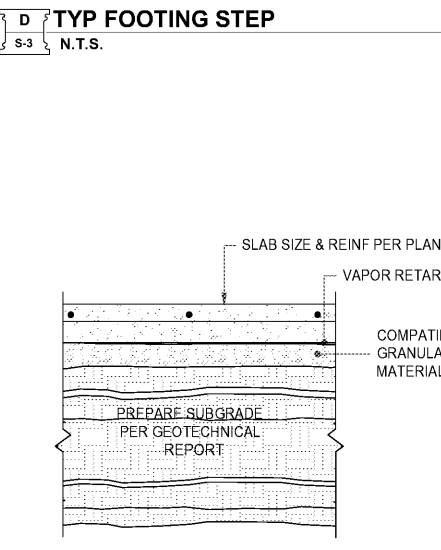
D TYP FOOTING STEP
S-3 N.T.S.



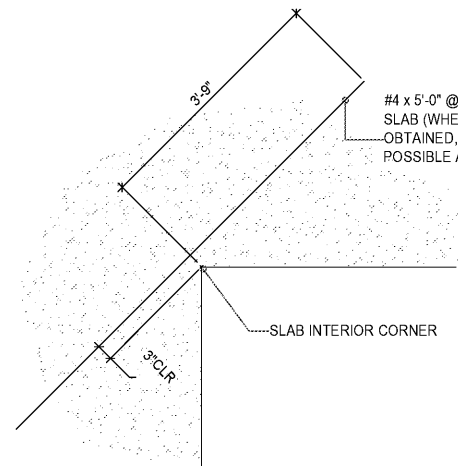
E TYPICAL CONTROL JOINT DETAIL
S-3 N.T.S.



F TYP THICKENED SLAB
S-3 N.T.S.



G TYP SLAB SUBGRADE SECTION
S-3 N.T.S.



H REINF @ INTERIOR CORNERS
S-3 N.T.S.

SPECIAL INSPECTIONS - MASONRY - LEVEL 1 INSPECTION (LEVEL B QUALITY ASSURANCE) FOR OCCUPANCY CATEGORY I, II, III STRUCTURES		
ITEM	INSPECTION FREQUENCY	SCOPE
REINFORCEMENT	PERIODIC	LAPPING AND SPLICING OF REBAR: LOCATION, PLACEMENT, GRADE, SIZE, AND TYPE OF REINFORCEMENT AND CONNECTORS
REINFORCEMENT	CONTINUOUS	WELDING OF REINFORCING BARS
INSTALLATION OF MASONRY, GROUT, AND MORTAR	PERIODIC	CONSTRUCTION OF MORTAR JOINTS; SIZE AND LOCATION OF STRUCTURAL ELEMENTS; PROTECTION OF MASONRY IN COLD WEATHER (BELOW 40°F) OR HOT WEATHER (ABOVE 90°F); CLEAN GROUT SPACE
INSTALLATION OF MASONRY, GROUT, AND MORTAR	CONTINUOUS	GROUT PLACEMENT IN CELLS WITH STEEL REINFORCEMENT
MIXING OF MORTAR AND GROUT	PERIODIC	PROPORTIONS OF SITE-PREPARED MORTAR AND GROUT
ANCHORS	PERIODIC	GROUT PLACEMENT IN CELLS WITH STEEL REINFORCEMENT
ANCHORS	PERIODIC	INSPECT POST-INSTALLED MECHANICAL AND ADHESIVE ANCHORS PER THE REQUIREMENTS IN THEIR RESPECTIVE ICC-ES REPORTS
EVALUATION OF STRENGTH	CONTINUOUS	PREPARATION OF GROUT SPECIMENS, MORTAR SPECIMENS, AND/OR PRISMS: VERIFY 7m PRIOR TO CONSTRUCTION. A "SET" IS HEREBY DEFINED AS A MINIMUM OF 4 PRISM SPECIMENS. A MINIMUM OF 1 SET SHALL BE PREPARED AND TESTED FOR EACH DAY MASONRY IS INSTALLED. TEST 1 PRISM AT 7 DAYS, 2 AT 28 DAYS, AND THE 4th PRISM AT THE EOR'S DIRECTION, IF REQUIRED. REPORT ALL TEST RESULTS TO THE ARCHITECT AND EOR WITHIN 3 WORKING DAYS OF TESTING.
MISCELLANEOUS	PERIODIC	COMPLIANCE WITH REQUIRED INSPECTION PROVISIONS OF THE CONSTRUCTION DOCUMENTS AND THE APPROVED SUBMITTALS SHALL BE VERIFIED

SPECIAL INSPECTIONS - SOILS AND FOUNDATIONS TABLE		
ITEM	INSPECTION FREQUENCY	SCOPE
SOILS	PERIODIC	VERIFY MATERIALS BELOW SHALLOW FOUNDATIONS ARE ADEQUATE TO ACHIEVE THE DESIGN BEARING CAPACITY. VERIFY EXCAVATIONS ARE EXTENDED TO PROPER DEPTH AND HAVE REACHED PROPER MATERIAL; PERFORM CLASSIFICATION AND TESTING OF COMPACTED FILL MATERIALS; PRIOR TO PLACEMENT OF COMPACTED FILL, INSPECT SUBGRADE AND VERIFY THAT SITE HAS BEEN PREPARED PROPERLY
SOILS	CONTINUOUS	VERIFY USE OF PROPER MATERIALS, DENSITIES, LIFT THICKNESSES, AND COMPACTION OF FILL; VERIFY MATERIALS AND PROCEDURES COMPLY WITH THE GEOTECHNICAL REPORT

WWW.DLINE.COM

Order Plans @

5450 E. High Street, Suite 200
Phoenix, Arizona 85054
P: 480.515.5123
www.sra300.com

Christian Brothers Automotive
Wickham Road
Melbourne, Florida

1725 Katy Freeway, St. 200
Houston, TX 77054

Revisions

11/13/19 - Prototype Update
4/1/20 - CITY COMMENTS

Project No. 19-097
Drawn By:
Date: 03/06/20

PROJECT NUMBER: 19-1252 PROJECT MANAGER: RAD
PROJECT ENGINEER: RAD PROJECT DRAFTER: JSB

THESE DRAWINGS/CALCULATIONS ARE CONSIDERED PRELIMINARY — NOT FOR CONSTRUCTION OR RECORDING UNLESS THE STRUCTURAL ENGINEER OF RECORD'S SEAL IS AFFIXED WITH WRITTEN SIGNATURE.

CARUSO TURLEY SCOTT INC.
consulting structural engineers
1215 W. Rio Salado Pkwy
Suite 200
Tempe, Arizona 85281
(480) 774-1700
(480) 774-1701 FAX
www.ctsar.com

Sheet Title:
TYP. DETAILS (STRUCTURAL NOTES)

Drawing No.
S-3

10RHS-11-2019