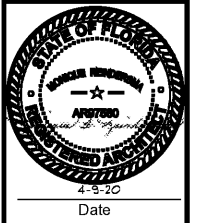


STEWART + REINBERG  
ARCHITECTURE, PLLC  
5450 E. High Street, Suite 200  
Phoenix, Arizona 85054  
P: 480.515.5123  
www.sra360.com

Christian Brothers  
Automotive  
Wickham Road  
Melbourne, Florida

Christian Brothers  
Automotive  
17725 Katy Freeway, St. 200  
Houston, TX 77094



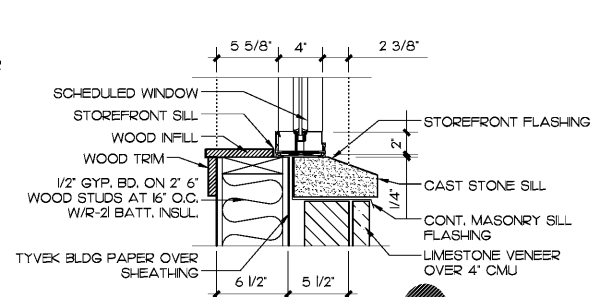
Revisions	
1/23/20	Prototype Update
4/1/20	City Comments
4/9/20	T2 Client Rev.

Project No. 19-097  
Drawn By:  
Date: 03/06/20

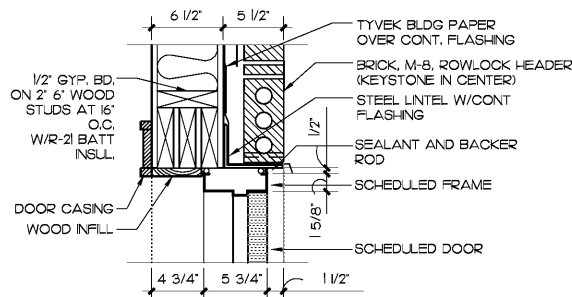
Sheet Title:  
HEAD, JAMB,  
AND SILL  
DETAILS

Drawing No.  
**A-9**

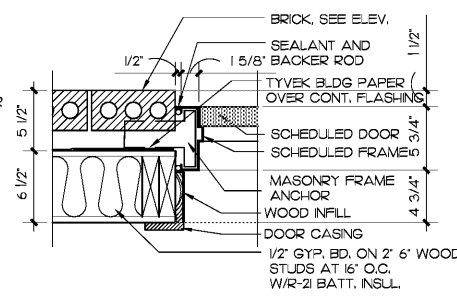
10RHS-11-2019



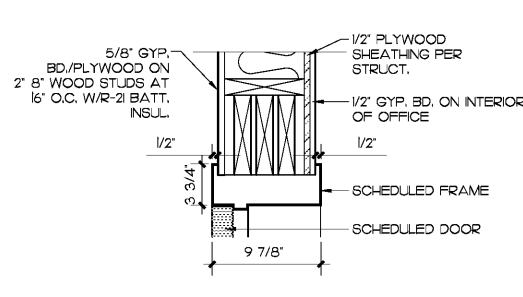
21 DETAIL - WINDOW SILL  
SCALE: 1-1/2" = 1'-0"



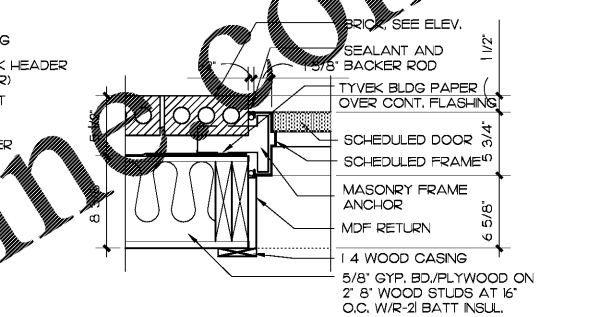
22 DETAIL - DOOR HEAD  
SCALE: 1-1/2" = 1'-0"



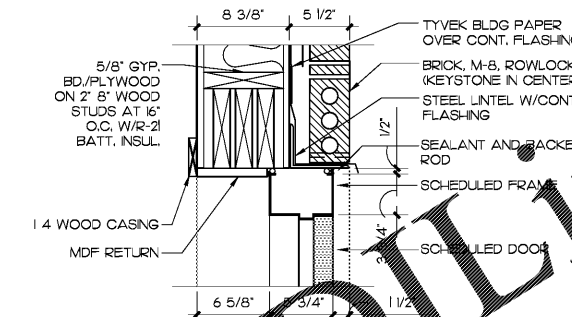
23 DETAIL - DOOR JAMB  
SCALE: 1-1/2" = 1'-0"



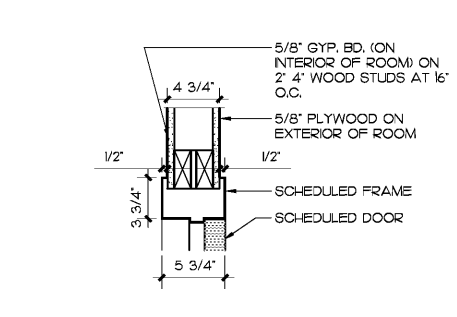
24 DETAIL - DOOR HEAD (JAMB SIMILAR)  
SCALE: 1-1/2" = 1'-0"



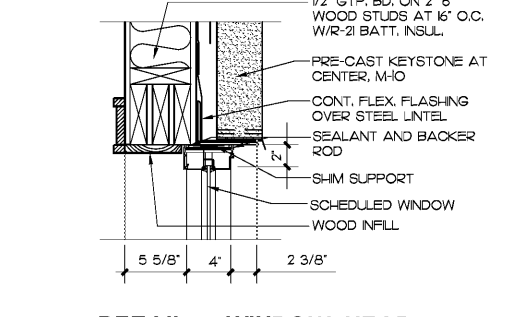
16 DETAIL - EXTERIOR DOOR JAMB  
SCALE: 1-1/2" = 1'-0"



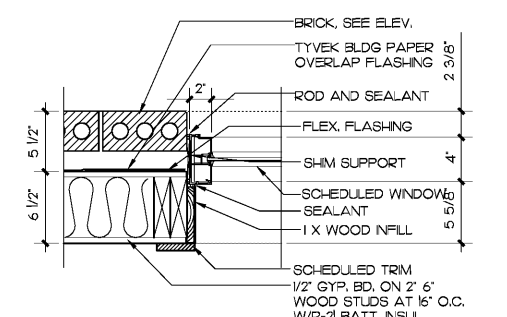
17 DETAIL - EXTERIOR DOOR HEAD  
SCALE: 1-1/2" = 1'-0"



18 DETAIL - DOOR HEAD (JAMB SIMILAR)  
SCALE: 1-1/2" = 1'-0"



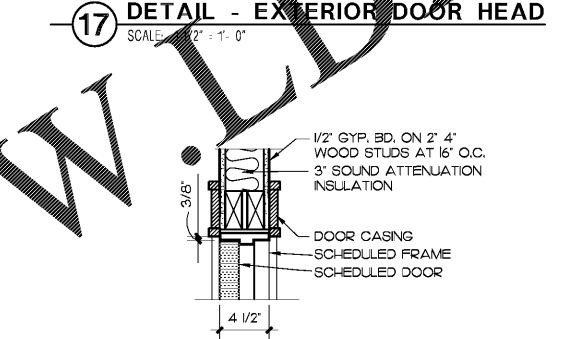
19 DETAIL - WINDOW HEAD (JAMB SIMILAR)  
SCALE: 1-1/2" = 1'-0"



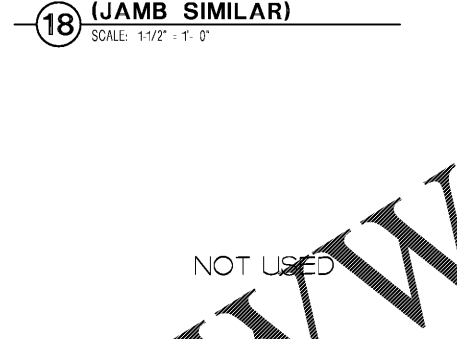
20 DETAIL - WINDOW JAMB  
SCALE: 1-1/2" = 1'-0"



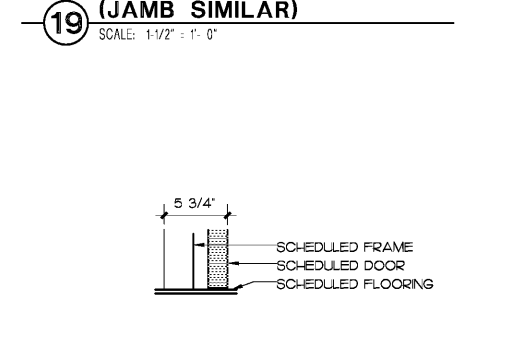
11 DETAIL - DOOR HEAD  
SCALE: 1-1/2" = 1'-0"



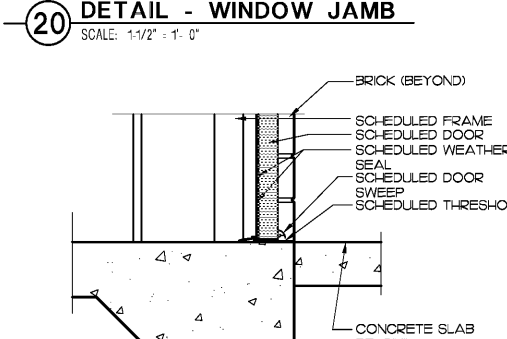
12 DETAIL - DOOR HEAD  
SCALE: 1-1/2" = 1'-0"



13 DETAIL - DOOR SILL  
SCALE: 1-1/2" = 1'-0"



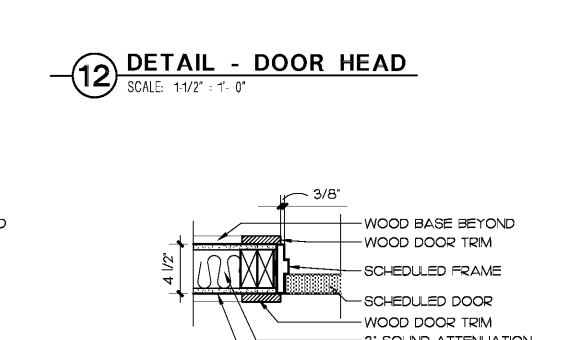
14 DETAIL - DOOR SILL  
SCALE: 1-1/2" = 1'-0"



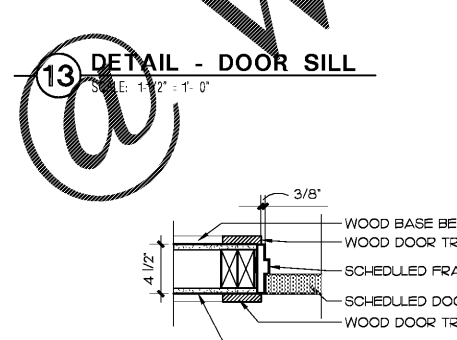
15 DETAIL - EXTERIOR DOOR SILL  
SCALE: 1-1/2" = 1'-0"



6 DETAIL - DOOR JAMB  
SCALE: 1-1/2" = 1'-0"



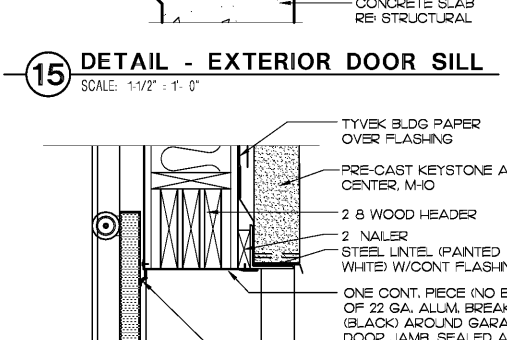
7 DETAIL - DOOR JAMB  
SCALE: 1-1/2" = 1'-0"



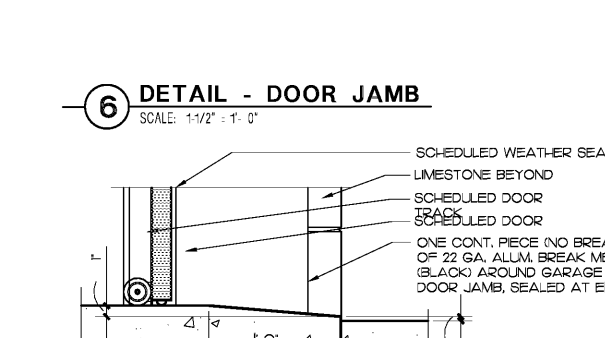
8 DETAIL - DOOR JAMB  
SCALE: 1-1/2" = 1'-0"



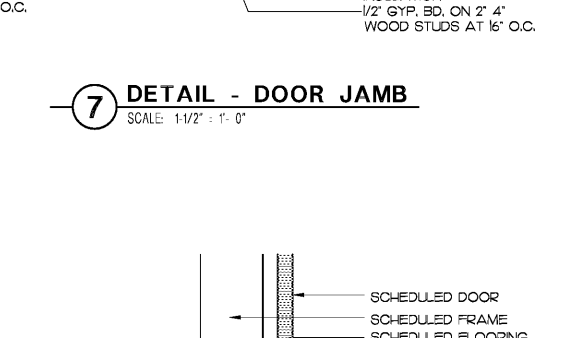
9 DETAIL - DOOR JAMB  
SCALE: 1-1/2" = 1'-0"



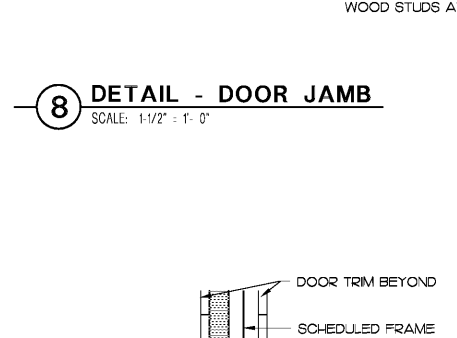
10 DETAIL - O.H. DOOR HEAD  
SCALE: 1-1/2" = 1'-0"



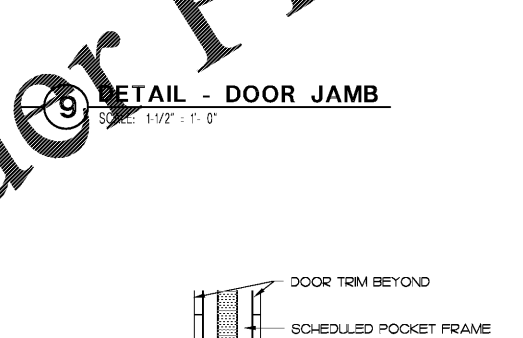
1 DETAIL - O.H. DOOR SILL  
SCALE: 1-1/2" = 1'-0"



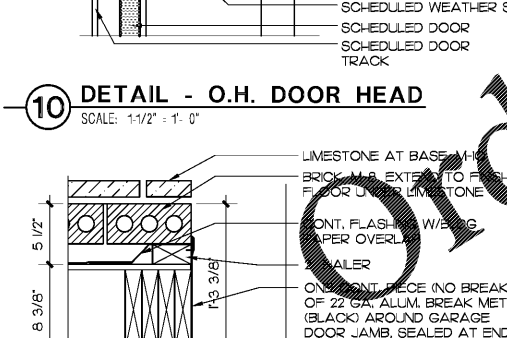
2 DETAIL - DOOR SILL  
SCALE: 1-1/2" = 1'-0"



3 DETAIL - DOOR SILL  
SCALE: 1-1/2" = 1'-0"



4 DETAIL - DOOR SILL  
SCALE: 1-1/2" = 1'-0"



5 DETAIL - O.H. DOOR JAMB  
SCALE: 1-1/2" = 1'-0"

WWW.LDMLINE.COM

Order Plans