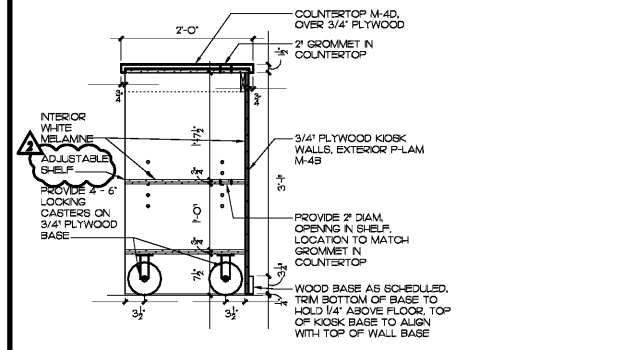


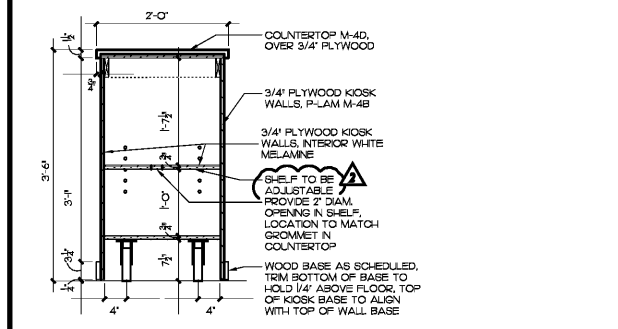
* RECEPTION KIOSKS ARE FURNITURE TO BE BUILT AND INSTALLED BY G.C.

3 KIOSK COUNTERTOP PLAN

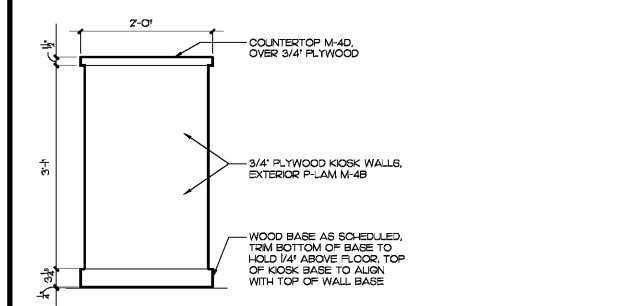
4 KIOSK BASE CABINET PLAN



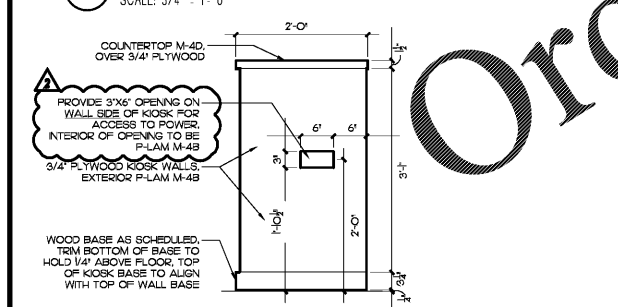
5 KIOSK CABINET SECTION



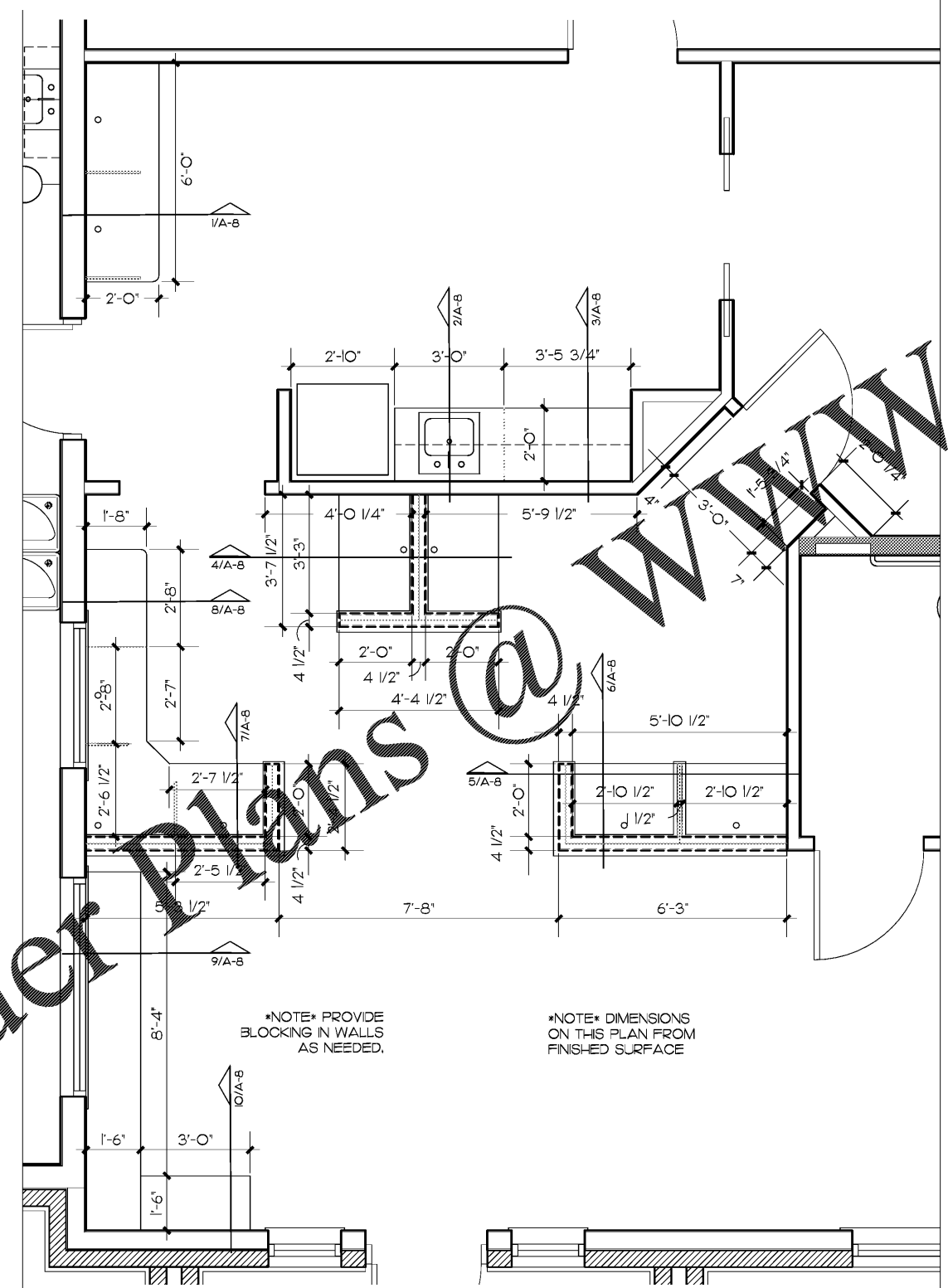
6 KIOSK CABINET SECTION



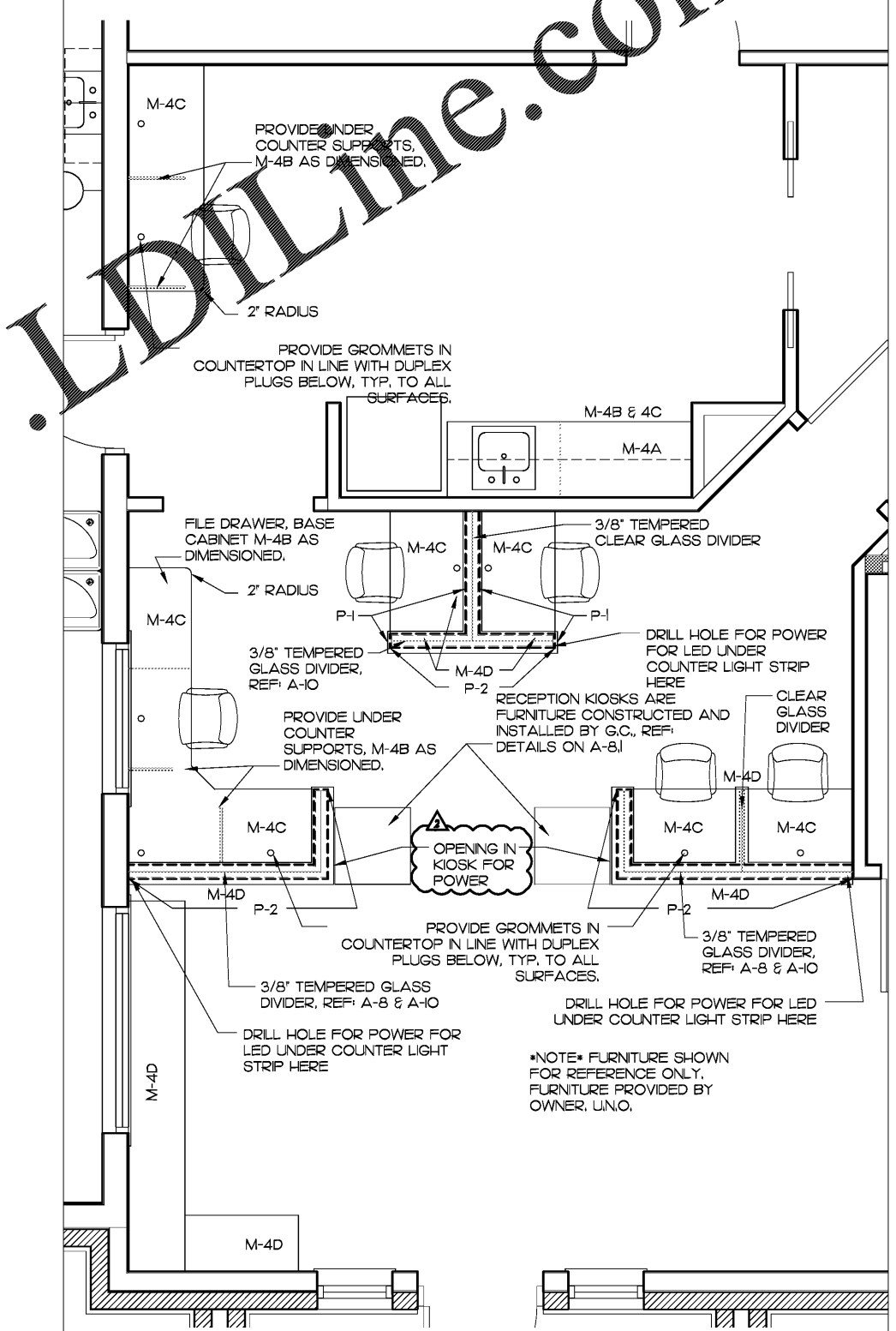
7 KIOSK CABINET ELEV



8 KIOSK CABINET ELEV



2 MILLWORK DIMENSION PLAN



1 MILLWORK NOTES PLAN

Revisions

1/23/20 - Prototype Update
4/1/20 - City Comments
4/9/20 - T2 Client Rev.

Project No. 19-097

Drawn By:

Date: 03/06/20

Sheet Title: