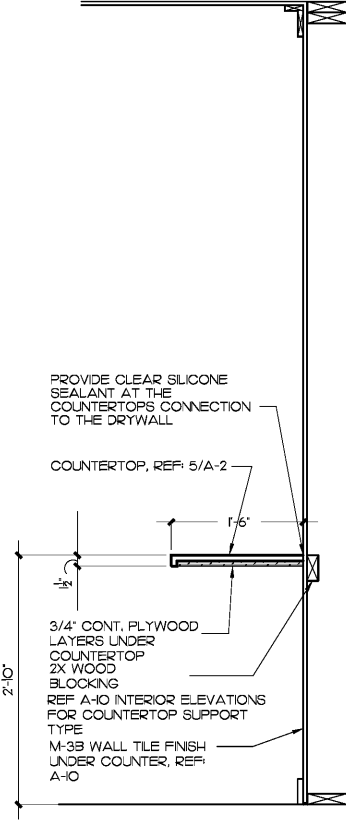
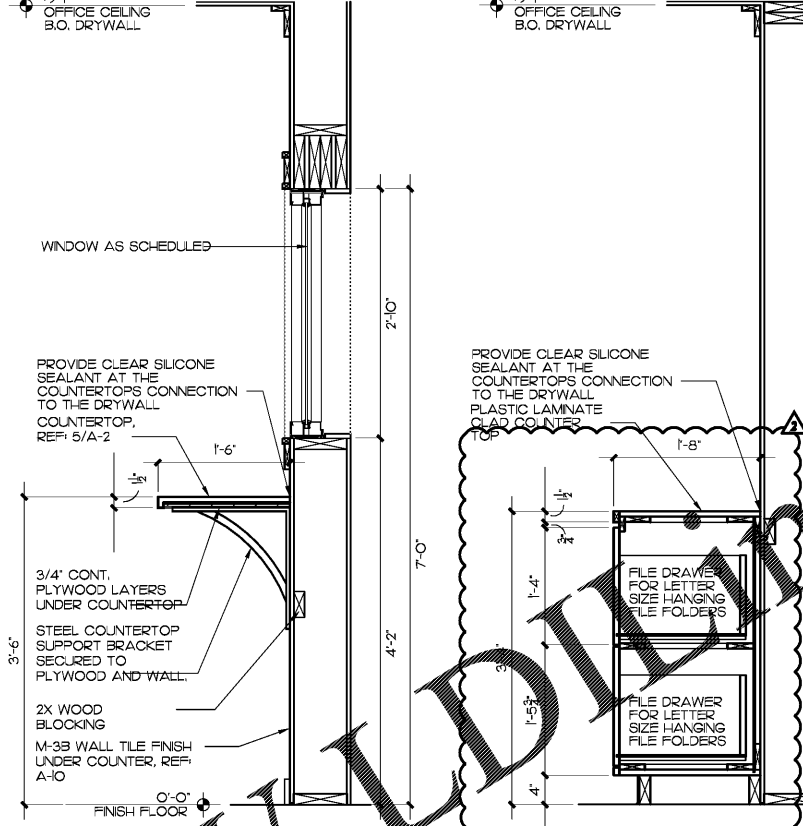


NOTE:  
SIMILAR PROFILES WITH MATCHING DIMENSIONS WILL BE CONSIDERED AS ACCEPTABLE ALTERNATES.  
ALL WOOD PROFILES TO BE 1/8" FINGER JOINTED FOR THE LENGTHS REQUIRED. ANCHOR WITH 6D FINISHING NAILS, SET, OR PRE WOOD PLUGS, SCREWS TO STUD OR BLOCKING IN WALL & RESET PLUG PRIOR TO APPLICATION OF FINISH. PRIME ALL EXPOSED SURFACES & PAINT WITH PC-3, TWO COATS, GLOSS, WHITE LATEX ENAMEL.

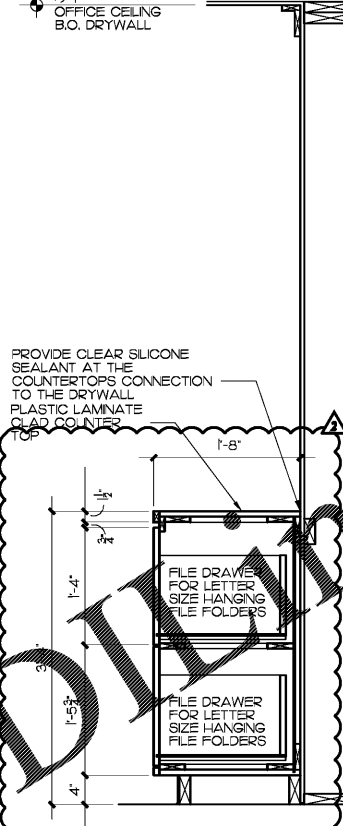
**11 MOLDING/TRIM DETAILS**  
SCALE: 6" = 1'-0"



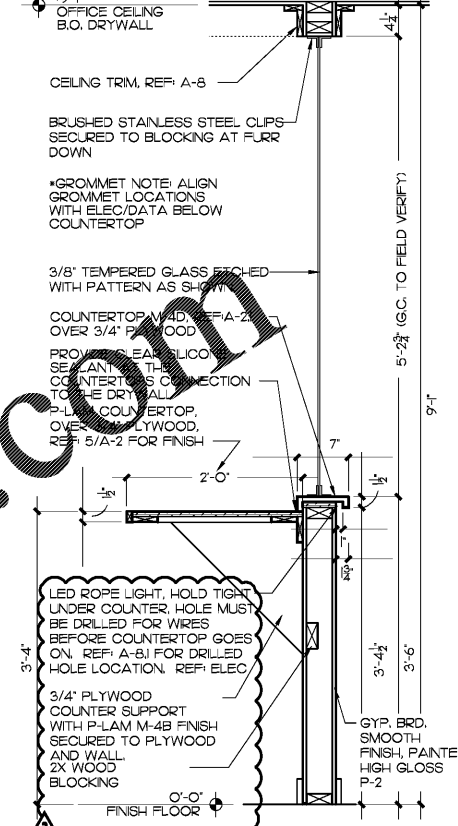
**10 ACCESSIBLE COUNTER SECTION**  
SCALE: 1" = 1'-0"



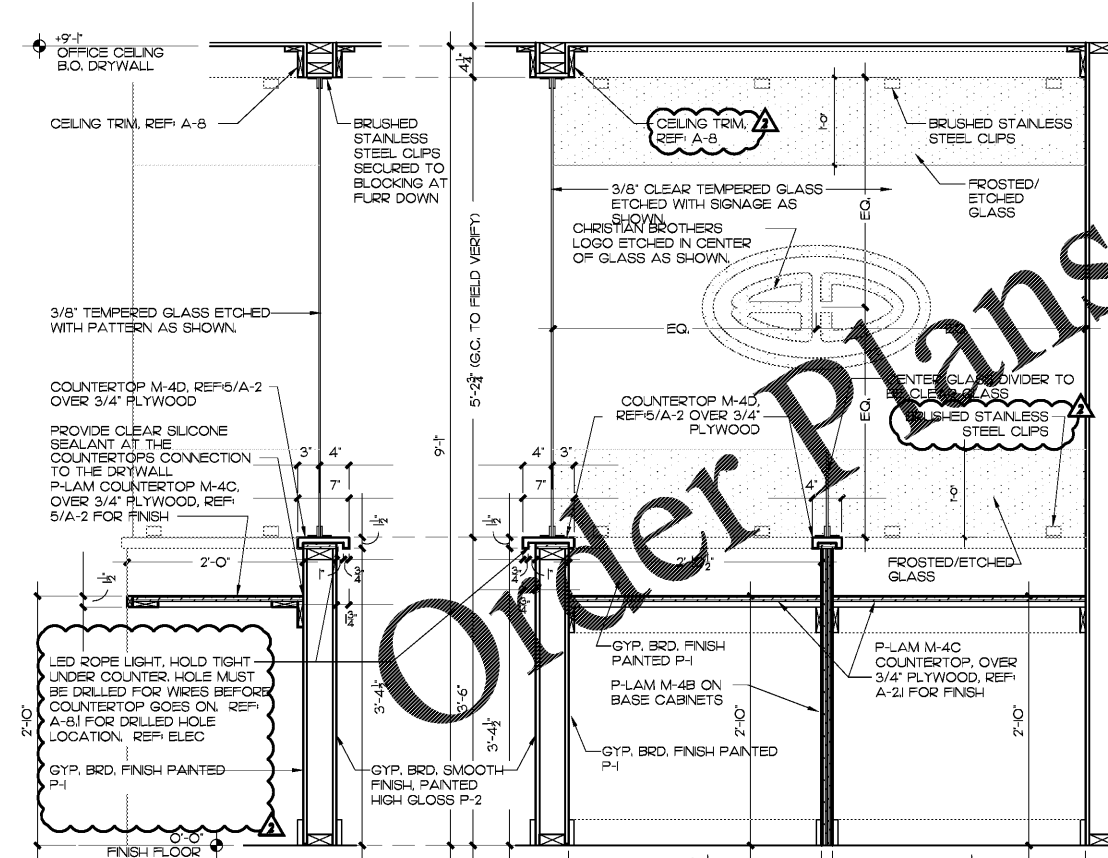
**9 COUNTER SECTION**  
SCALE: 1" = 1'-0"



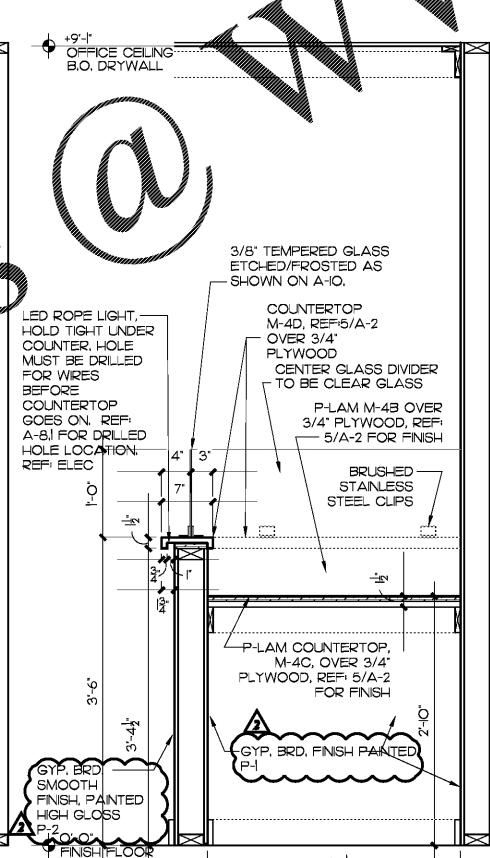
**8 MILLWORK SECTION**  
SCALE: 1" = 1'-0"



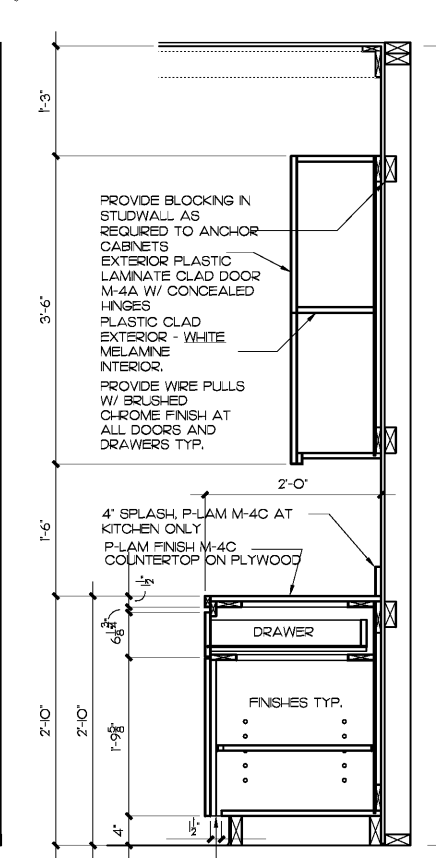
**7 MILLWORK SECTION**  
SCALE: 1" = 1'-0"



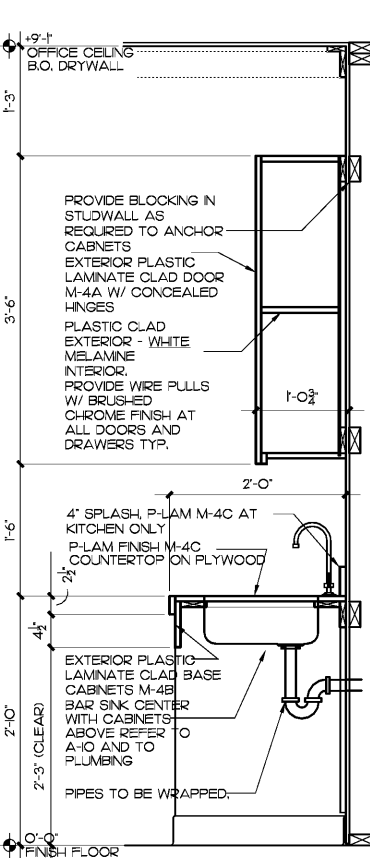
**6 MILLWORK SECTION**  
SCALE: 1" = 1'-0"



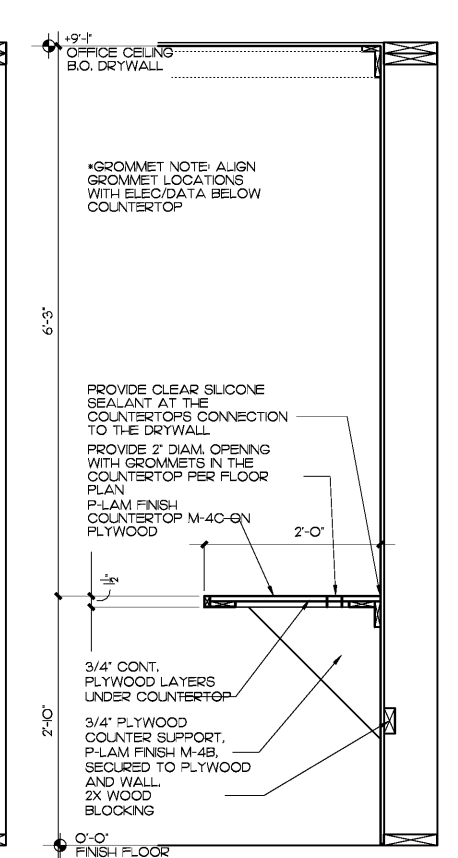
**5 MILLWORK SECTION**  
SCALE: 1" = 1'-0"



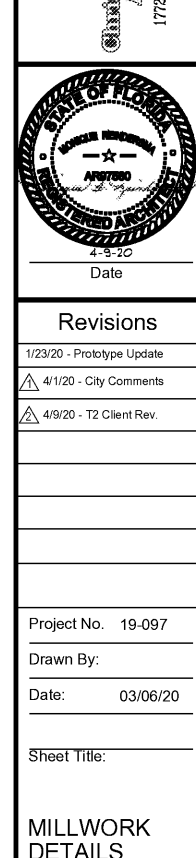
**4 MILLWORK SECTION**  
SCALE: 1" = 1'-0"



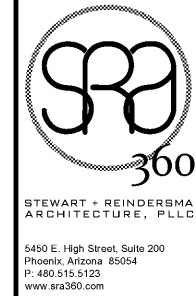
**3 MILLWORK SECTION**  
SCALE: 1" = 1'-0"



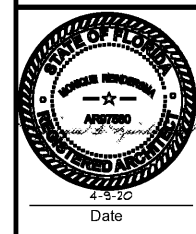
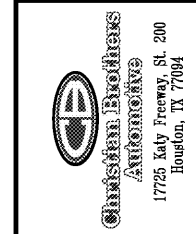
**2 MILLWORK SECTION**  
SCALE: 1" = 1'-0"



**1 MILLWORK SECTION**  
SCALE: 1" = 1'-0"



**Christian Brothers Automotive**  
Wickham Road  
Melbourne, Florida



Revisions	
1/23/20 - Prototype Update	
4/1/20 - City Comments	
4/9/20 - T2 Client Rev.	
Project No. 19-097	
Drawn By:	
Date: 03/06/20	
Sheet Title:	
MILLWORK DETAILS	
Drawing No.	
<b>A-8</b>	
10RHS-11-2019	