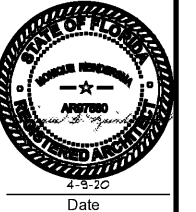


STEWART + REINDERBMA
ARCHITECTURE, PLLC
5450 E. High Street, Suite 200
Phoenix, Arizona 85054
P: 480.515.5123
www.sra360.com

Christian Brothers
Automotive
Wickham Road
Melbourne, Florida

Christian Brothers
Automotive
17725 Katy Freeway, SL 200
Houston, TX 77094



Revisions	
1/23/20	Prototype Update
4/1/20	City Comments
4/9/20	T2 Client Rev.

Date: 4-8-20

Project No. 19-097

Drawn By:

Date: 03/06/20

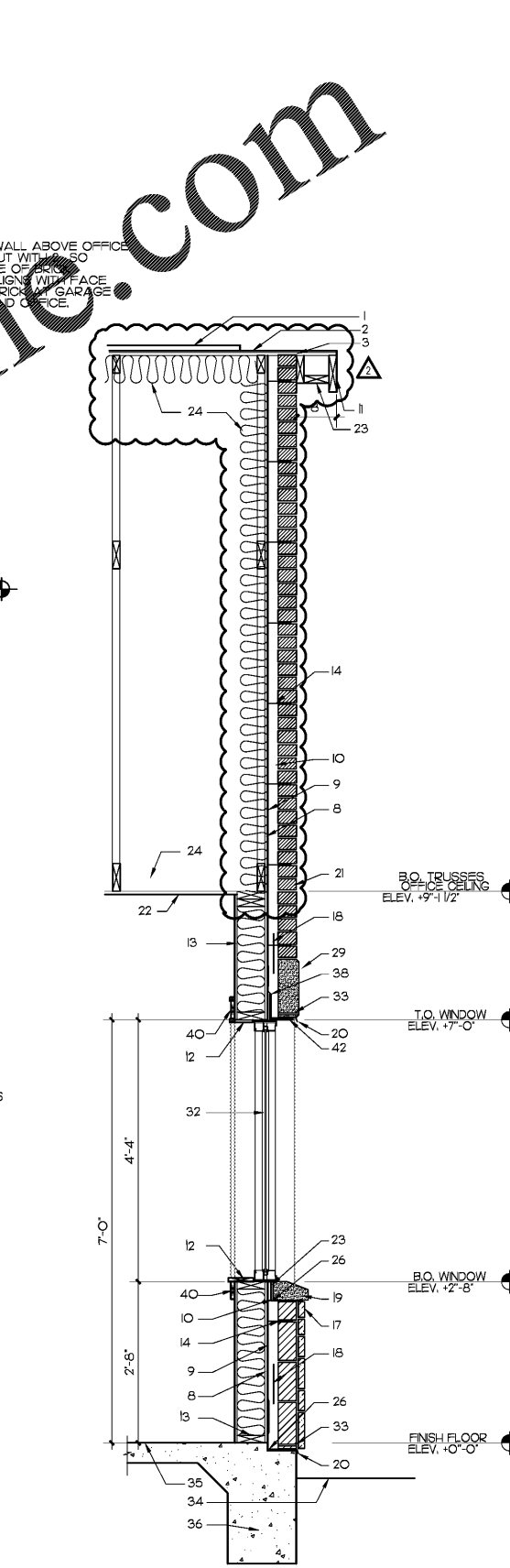
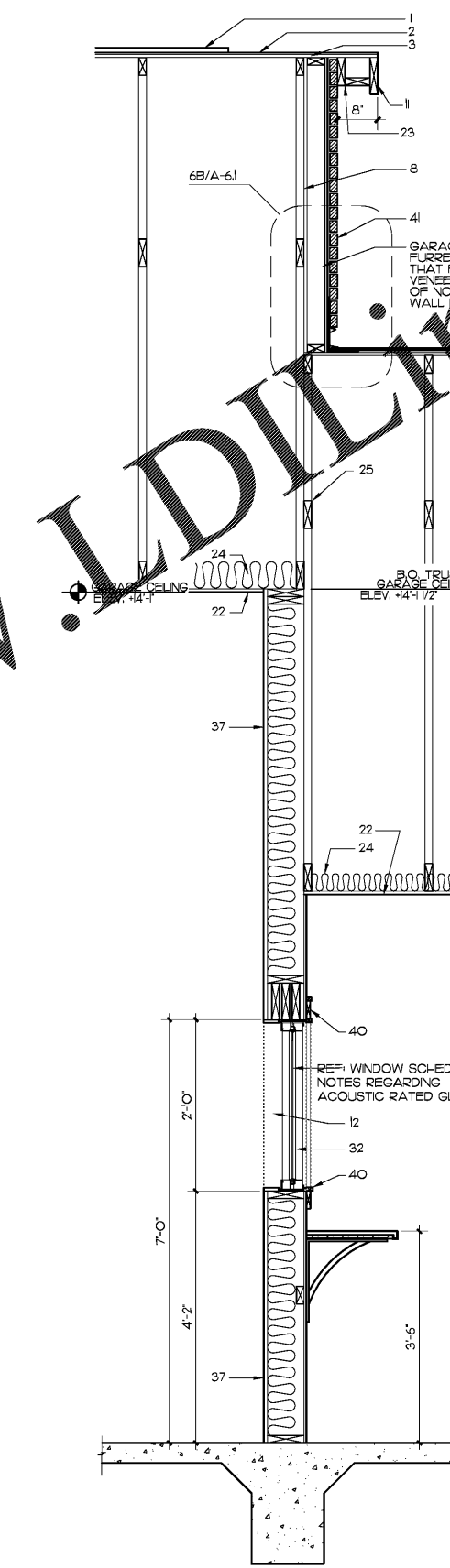
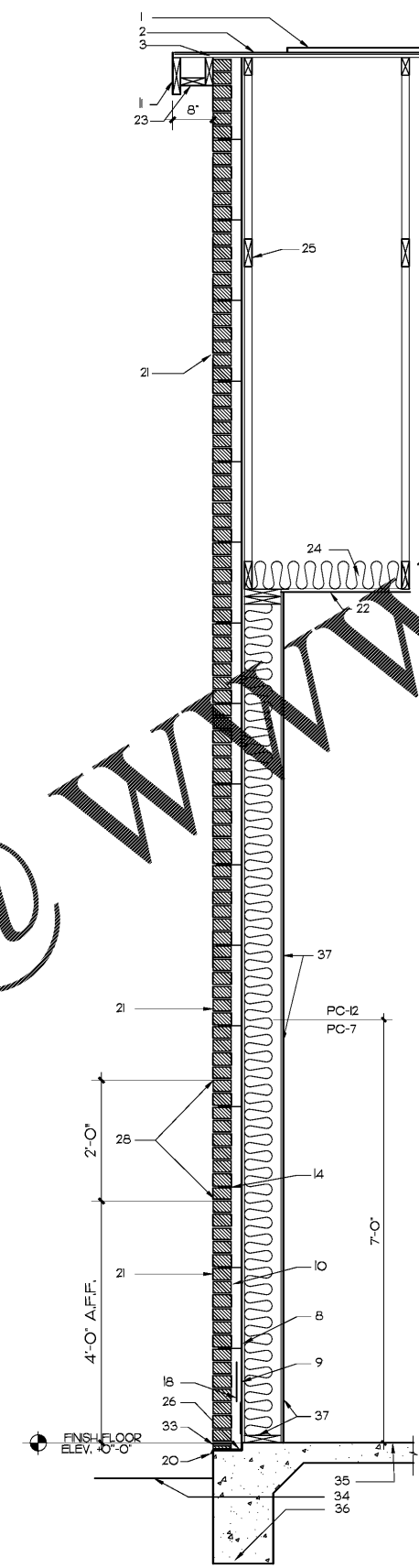
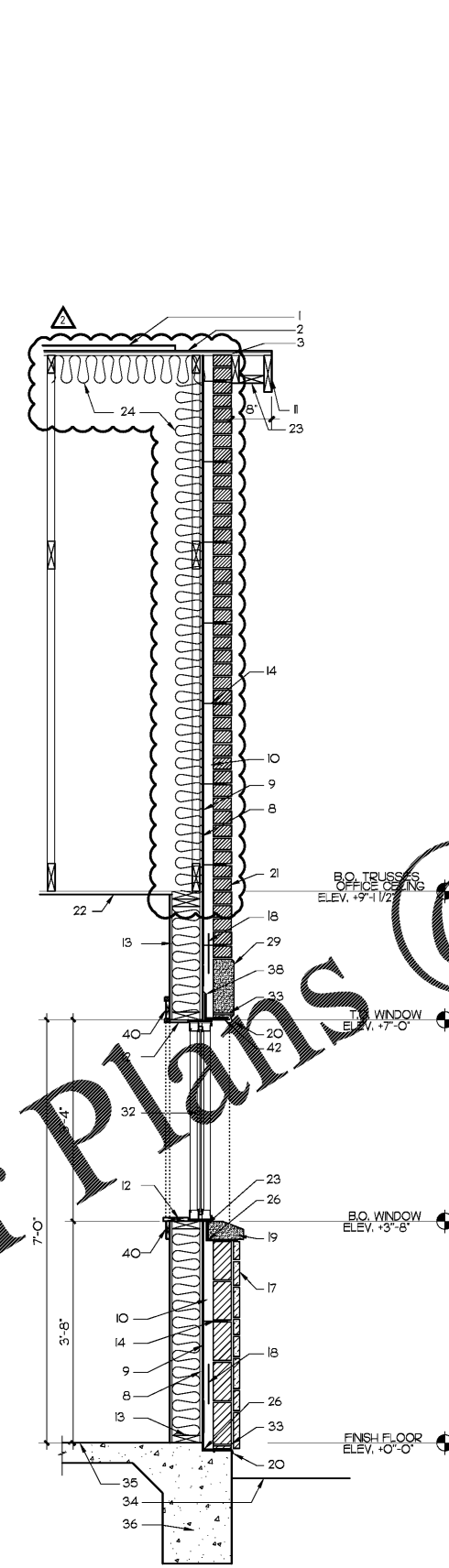
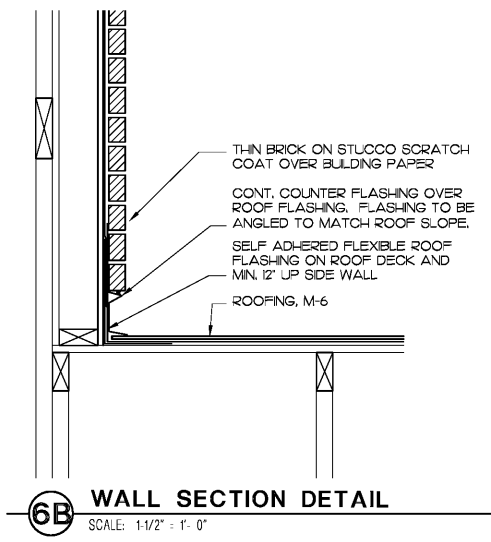
Sheet Title:

WALL SECTIONS

Drawing No.

A-6.1

10RHS-11-2019



Order Plans @ WWW.LDILLING.COM