

WINDOW SCHEDULE

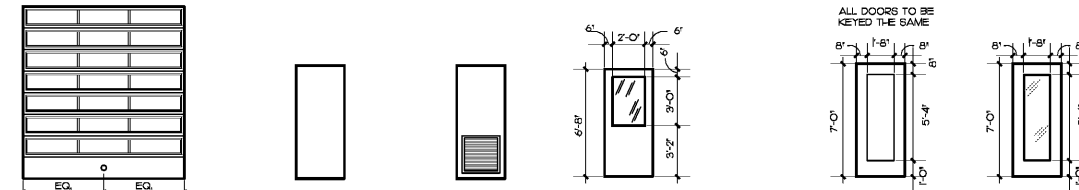
TYPE	NOA #	ROUGH OPENING	VISIBLE WINDOW SIZE	DESCRIPTION	REMARKS
A	FL20446.3	6'-0" WIDE X 4'-4" HIGH	5'-8" WIDE X 4'-0" HIGH	KAWNEER TRIFAB VG 45LT 4-1/2" FIXED CENTER THERMAL ALUMINUM WINDOW W/ INTERNAL MUNTINS	PROVIDE DOUBLE-PANE LOW-E GLAZING - FRAMES AND MUNTINS TO BE BONE WHITE
B	FL20446.3	2'-0" WIDE X 4'-4" HIGH	1'-8" WIDE X 4'-0" HIGH	KAWNEER TRIFAB VG 45LT 4-1/2" FIXED CENTER THERMAL ALUMINUM WINDOW W/ INTERNAL MUNTINS	PROVIDE DOUBLE-PANE LOW-E TEMPERED SAFETY GLAZING - FRAMES AND MUNTINS TO BE BONE WHITE
C*	FL20446.3	3'-4" WIDE X 3'-4" HIGH	3'-0" WIDE X 3'-0" HIGH	KAWNEER TRIFAB VG 45LT 4-1/2" FIXED CENTER THERMAL ALUMINUM WINDOW W/ INTERNAL MUNTINS	PROVIDE DOUBLE-PANE LOW-E GLAZING - FRAMES AND MUNTINS TO BE BONE WHITE - FROSTED FILM ON TEMPERED SAFETY GLAZING
D	FL20446.3	3'-4" WIDE X 4'-4" HIGH	3'-0" WIDE X 4'-0" HIGH	KAWNEER TRIFAB VG 45LT 4-1/2" FIXED CENTER THERMAL ALUMINUM WINDOW W/ INTERNAL MUNTINS	PROVIDE DOUBLE-PANE LOW-E GLAZING - FRAMES AND MUNTINS TO BE BONE WHITE
E	FL20446.3	6'-0" WIDE X 3'-8" HIGH	5'-8" WIDE X 2'-10" HIGH	KAWNEER TRIFAB VG 45L 4-1/2" FIXED INTERIOR ALUMINUM WINDOW W/ NO MUNTINS	PROVIDE DOUBLE-PANE TEMPERED SAFETY GLAZING - FRAMES AND TO BE BONE WHITE - ACOUSTICAL RATING - F INFL. BETWEEN PANES
F	FL20446.3	4'-0" WIDE X 3'-8" HIGH	3'-8" WIDE X 2'-10" HIGH	KAWNEER TRIFAB VG 45L 4-1/2" FIXED INTERIOR ALUMINUM WINDOW W/ NO MUNTINS	PROVIDE DOUBLE-PANE TEMPERED SAFETY GLAZING - FRAMES AND TO BE BONE WHITE - ACOUSTICAL RATING - F INFL. BETWEEN PANES

NOTE: EXTERIOR WINDOWS SHALL COMPLY WITH THE 2017 FLORIDA BUILDING CODE SECTION 609.12 PROTECTION OF OPENINGS.

NOTE: GLAZING U-FACTOR - 0.40 OR BETTER SH-GC - 0.25 OR BETTER

NOTE: FROSTED GLASS TO BE 3M FASARA GLASS FINISH LUCE (SH2FLU) ON INTERIOR PANE OF GLASS SO THAT INTERNAL MUNTINS ARE VISIBLE FROM EXTERIOR. EXTERIOR PANE OF GLASS TO BE LOW-E.

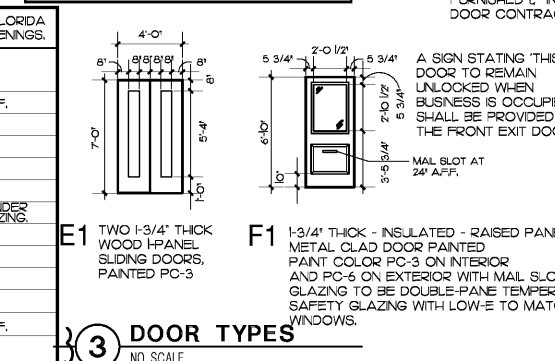
WINDOW NOTE: WINDOW BLINDS PROVIDED BY OWNER, AND INSTALLED BY GC. THREE WEEKS PRIOR TO OPENING. BLIND VENDOR WILL INSTRUCT GC ON OBTAINING DIMENSIONS. BLINDS WILL BE SHIPPED TO GC FOR INSTALLATION. BLINDS TO BE INSTALLED FLUSH WITH INSIDE OF WINDOW. NO BLINDS ON WINDOWS C*, D, E OR F. CONTACT YOUR BLIND MAN, BILL SMITH PH (817) 925-2202 EMAIL: YOURBLINDMAN@SBCGLOBAL.NET



DOOR SCHEDULE

DR. TYP.	FBC #	WIDTH	HEIGHT	DR. TYPE	FR. TYPE	HEAD	JAMB	SILL	LOCATION (FROM / TO)	REMARKS
1	16546	10'-0"	10'-6"	A1	MASONRY	10/A-9	5/A-9	1/A-9	TECHNICIAN AREA TO EXTERIOR	PROVIDE EXTENSION TRACKS TO LIFT DOORS TO 13'-6" A.F.F.
2	124001	3'-0"	6'-8"	B1A	4" HM. HEAD	17/A-9	16/A-9	15/A-9	TECHNICIAN AREA TO EXTERIOR	PROVIDE DRIP CAP AT TOP OF DOOR FRAME.
3	124002	3'-0"	6'-8"	C1	4" HM. HEAD	24/A-9	24/A-9	2/A-9	LUNCH ROOM TO TECHNICIAN AREA	TEMPERED SAFETY GLAZING
4	124001	3'-0"	7'-0"	D1	WOOD	12/A-9	7/A-9	3/A-9	RESTROOM TO RECEPTION/WAITING	SEE GENERAL TOILET ROOM NOTES ON SHEET A-10
5	124002	3'-0"	7'-0"	E1	WOOD	12/A-9	8/A-9	4/A-9	LUNCH ROOM TO MANAGER	DOUBLE POCKET SLIDING DOOR
6	124002	3'-0"	6'-10"	F1	HM.	22/A-9	23/A-9	15/A-9	RECEPTION/WAITING TO EXTERIOR	MAL SLOT IN DOOR PROVIDE PUSHING BAR. CALLK UNDER FRONT THRESHOLD & FLOORING. TEMPERED SAFETY GLAZING
7	124001	3'-0"	6'-8"	B1A	4" HM. HEAD	18/A-9	18/A-9	14/A-9	RESTROOM TO STORAGE	SEE GENERAL TOILET ROOM NOTES ON SHEET A-10
8	124001	3'-0"	7'-0"	D2	WOOD	12/A-9	8/A-9	3/A-9	MANAGER TO SERVICE	TEMPERED SAFETY GLAZING
9	124001	3'-0"	6'-8"	B1A	4" HM. HEAD	18/A-9	18/A-9	14/A-9	COMPRESSOR ROOM TO STORAGE	
10	124001	3'-0"	6'-8"	B1A	4" HM. HEAD	24/A-9	24/A-9	14/A-9	TECHNICIAN AREA TO STORAGE	
11	16546	12'-0"	12'-0"	A1	MASONRY	10/A-9	5/A-9	1/A-9	TECHNICIAN AREA TO EXTERIOR	PROVIDE EXTENSION TRACKS TO LIFT DOORS TO 13'-6" A.F.F.
12	16546	3'-0"	6'-8"	B1A	4" HM. HEAD	24/A-9	24/A-9	2/A-9	STORAGE TO LUNCH/WORK ROOM	HARDWARE SET 10

NOTE: EXTERIOR DOORS SHALL COMPLY WITH THE FLORIDA BUILDING CODE SECTION 609.12 PROTECTION OF OPENINGS.



DOOR HARDWARE SCHEDULE

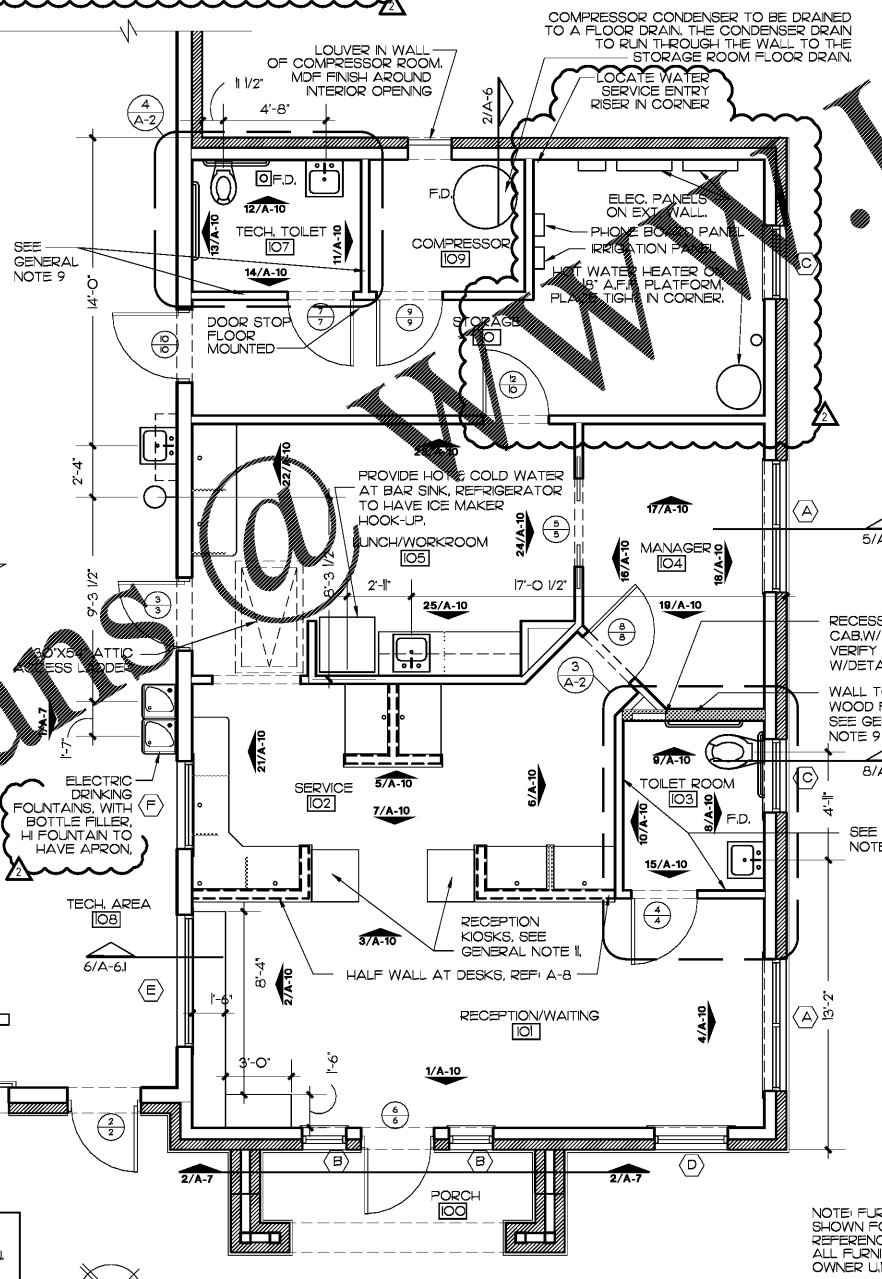
1. METAL OVER-HEAD DOOR INSULATED (EXTERIOR FROM TECHNICIAN AREA) STANDARD OVER-HEAD DOOR HARDWARE WITH EXTENSION TRACKS TO LIFT DOOR 13'-6" ABOVE FINISHED FLOOR
- 1 EACH- BRUSH TYPE WEATHER SEAL (DS-5)
2. INSULATED METAL DOOR (EXTERIOR FROM TECHNICIAN AREA)
- H/2 PAIRS- BUTTS (B-1)
EACH- LOCKSET (PRIVACY) (L-3)
EACH- DOOR SOUND SWEEP (DS-4)
EACH- FLOOR MOUNTED STOP (S-1)
EACH- CLOSER (C-1)
EACH- SECURITY BAR (M-1)
FBC# FL2400-R9-RFS07
EACH- DOOR SWEEP (DS-2)
EACH- THRESHOLD (DS-3)
EACH- DRIP CAP ON FRAME ABOVE DOOR
EACH- FLOOR STOP (S-1)
EACH- DOOR SECURITY PLATE
3. INSULATED METAL DOOR (TECHNICIAN AREA FROM LUNCH/WORK AREA)
- H/2 PAIRS- BUTTS (B-2)
EACH- LATCH-SET (PASSAGE) (L-2)
EACH- CLOSER (C-1)
EACH- FLOOR MOUNTED STOP (S-1)
EACH- DOOR SWEEP (DS-2)
EACH- 3/8" BLACK FOAM DOOR SEAL AROUND JAMB.
4. WOOD DOOR (RECEPTION FROM OFFICE TOILET ROOM)
- H/2 PAIR- BUTTS (B-2)
EACH- LOCKSET (PRIVACY) (L-3)
EACH- DOOR SOUND SWEEP (DS-4)
EACH- FLOOR MOUNTED STOP (S-1)
EACH- CLOSER (C-1)
EACH- 3/8" BLACK FOAM DOOR SEAL AROUND JAMB.
5. WOOD DOOR - DOUBLE POCKET (MANAGER TO LUNCH/WORK ROOM)
- POCKET DOOR HARDWARE W/ LOCK HARDWARE TO BE ADA ACCESSIBLE
6. METAL CLAD DOOR INSULATED (EXTERIOR FROM RECEPTION/WAITING)
- H/2 PAIR- BUTTS (B-1)
FBC# FL2400-R9-RFS07
EACH- PANIC BAR EXIT DEVICE (L-5)
FBC# FL2400-R9-RFS07
EACH- CLOSER (C-1)
EACH- WEATHER SEAL (DS-1)
EACH- THRESHOLD (DS-3)
EACH- DRIP CAP ON FRAME ABOVE DOOR
EACH- DOOR SECURITY PLATE
EACH- FLOOR MOUNTED STOP (S-1)
7. INSULATED METAL DOOR (TECHNICIAN AREA FROM TECH TOILET)
- H/2 PAIR- BUTTS (B-2)
EACH- CLOSER (C-1)
EACH- LOCK SET (PRIVACY) (L-3)
EACH- DOOR SWEEP (DS-2)
EACH- FLOOR MOUNTED STOP (S-1)
EACH- 3/8" BLACK FOAM DOOR SEAL AROUND JAMB.
8. WOOD DOOR W/ GLASS INSERT (MANAGER TO SERVICE)
- H/2 PAIR- BUTTS (B-2)
EACH- LOCKSET (L-4)
EACH- DOOR SOUND SWEEP (DS-4)
EACH- FLOOR MOUNTED STOP (S-1)
NO CLOSER
9. HOLLOW METAL DOOR (EXTERIOR FROM COMPRESSOR ROOM)
- H/2 PAIRS- BUTTS (B-1)
EACH- LOCKSET (L-1)
EACH- WEATHER SEAL (DS-1)
EACH- DOOR SWEEP (DS-2)
EACH- THRESHOLD (DS-3)
EACH- DRIP CAP ON FRAME ABOVE DOOR
EACH- DOOR SECURITY PLATE
EACH- FLOOR MOUNTED STOP (S-1)
10. INSULATED METAL DOOR (TECHNICIAN AREA FROM STORAGE) (STORAGE AREA FROM LUNCH/WORKROOM)
- H/2 PAIRS- BUTTS (B-2)
EACH- LATCH-SET (PASSAGE) (L-2)
EACH- CLOSER (C-1)
EACH- FLOOR MOUNTED STOP (S-1)
EACH- DOOR SWEEP (DS-2)
EACH- 3/8" BLACK FOAM DOOR SEAL AROUND JAMB.

5 DOOR HARDWARE SCHEDULE

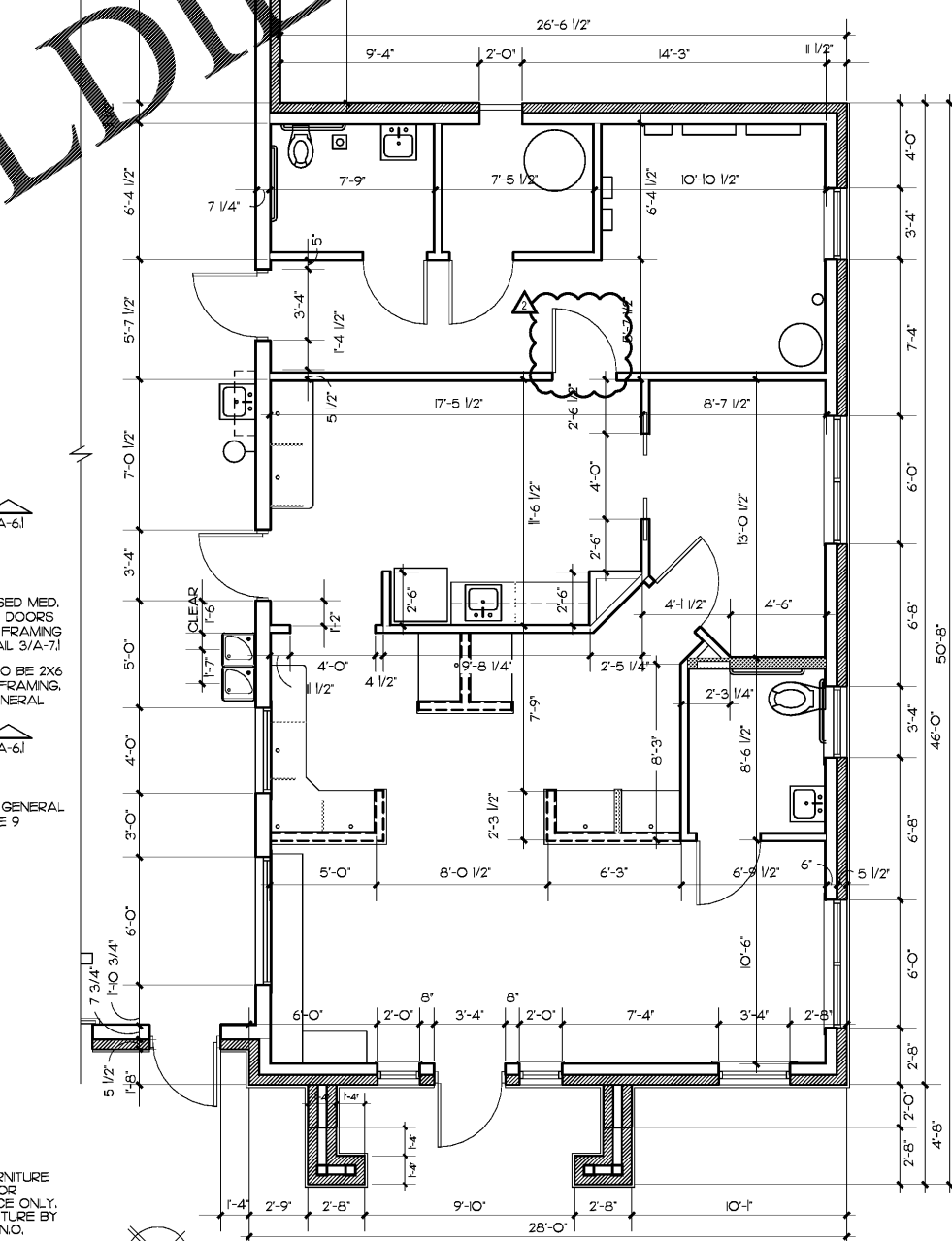
- ALL HARDWARE BY SPECIFIED MANUFACTURER - NO SUBSTITUTIONS
- HINGES- HAGER, MOKINNEY
B-1- HINGES B81279 4-1/2 X 4 US26D X NRP
B-2- HINGES B81279 4-1/2 X 4 US26D
B-3- HINGES 1279 4-1/2 X 4 US26D
- LOCKSET- SARGENT, SCHLAGE
L-1- LOCKSET LOGOSLL US26D
L-2- LATCH-SET 65USLL US26D
L-3- PRIVACY 65GOSLL US26D
L-4- LOCKSET 65GOSLL US26D
L-5- PANIC/PUSH BAR US26D
- DOOR CLOSERS- SARGENT, NORTON
C-1- DOOR CLOSER EN350-P9 HEAVY DUTY
- POCKET DOOR- HAGER 9630 HEAVY DUTY POCKET DOOR KIT POCKET DOOR MORTISE LOCK -F SPECIFIED ON HARDWARE SET MORTISE CYLINDER
- DOOR SEAL- NATIONAL GUARD PRODUCTS, PENKO
DS-1- WEATHERSTRIPPING 160VA ALUM.
DS-2- DOOR SWEEP 10VA ALUM.
DS-3- THRESHOLD 53VA ALUM.
DS-4- DOOR BOTTOM SEALS 20Z ALUM.
DS-5- GARAGE DOOR WEATHER STRIPPING 12 X CL 16 BL BRUSH TYPE
- DOOR TRIM- TRIMM, HAGER
S-1- DOOR STOP 1235S US26D
S-2- SLIDE BOLT 3920-4 US26D
S-3- MAL SLOT 2085 US26D W/HOODDED FRONT PLATE AND BACK PLATE
- MISCELLANEOUS - M-1- SECURITY BAR EXIT SECURITY INC. MODEL NO. SB-01-0036 BAR MOUNTED TO WALL DURING BUSINESS HOURS.
- OVER-HEAD DOOR NOTE: ALL OVER-HEAD DOORS TO BE PURCHASED, BY GC, FROM CORNELL STOREFRONT SYSTEMS, INSTALLED BY VENDOR. GC TO COORDINATE INSTALLATION. CONTACT: MELISSA KERN PH (800) 882-6773 EXT. 615 EMAIL: MKERN@CORNELLSTOREFRONTS.COM
- DOOR HARDWARE NOTE: ALL DOORS, FRAMES AND HARDWARE TO BE PURCHASED FROM NATIONAL COOK AND BOARDMAN. CONTACT: MIKE DONNELLY EMAIL: MDONNELLY@COOKANDBOARDMAN.COM

4 HARDWARE SPECIFICATIONS

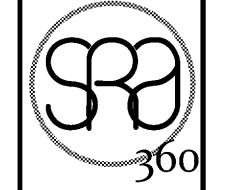
NO SCALE



2 ENLARGED OFFICE WING FLOOR PLAN
SCALE: 1/4" = 1'-0"



1 ENLARGED OFFICE WING DIMENSIONAL CONTROL PLAN
SCALE: 1/4" = 1'-0"



STEWART + REINDEBMA ARCHITECTURE, PLLC

5450 E. High Street, Suite 200
Phoenix, Arizona 85054
P: 480.515.5123
www.sra360.com

Christian Brothers Automotive
Wickham Road
Melbourne, Florida



17725 Katy Freeway, St. 200
Houston, TX 77064

4-8-20
Date

Revisions
1/23/20 - Prototype Update
4/1/20 - City Comments
4/9/20 - T2 Client Rev.

Project No. 19-097
Drawn By:
Date: 03/06/20
Sheet Title:
ENLARGED FLOOR PLANS

Drawing No.
A-2.1
10RHS-11-2019