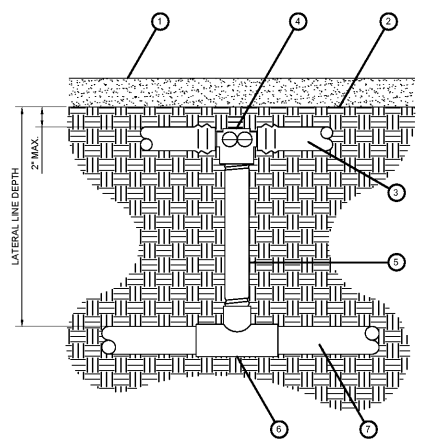
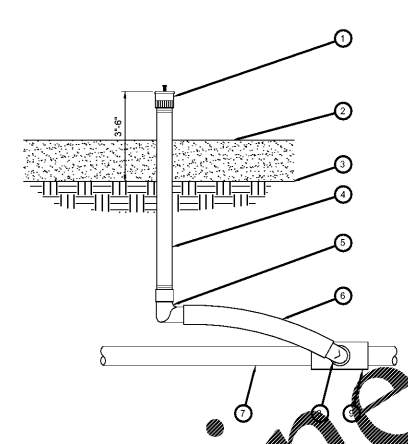


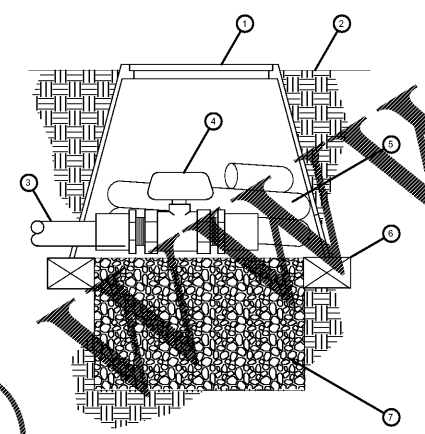
Order Plans @



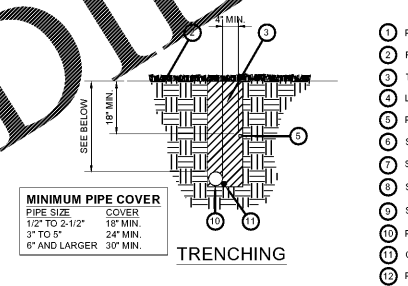
J SUBSURFACE DRIPLINE CONNECTION
SCALE: NOT TO SCALE



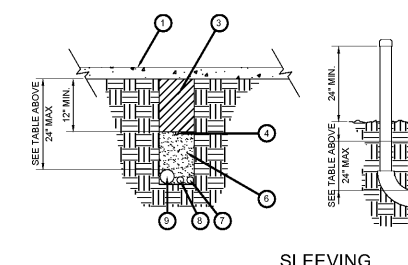
G BUBBLER
SCALE: NTS



K FLUSH VALVE
SCALE: NTS



H PIPE AND SLEEVE INSTALLATION
SCALE: NTS



I SUBSURFACE DRIP LINE LAYOUT
SCALE: NOT TO SCALE

- 1 BUBBLER PER LEGEND - 3 PER TREE
- 2 MULCH
- 3 FINISH GRADE/TOP OF MULCH
- 4 UV RADIATION RESISTANT 1/2-INCH PVC SCH 80 NIPPLE (LENGTH AS REQUIRED)
- 5 1/2-INCH FEMALE NPT x 0.490-INCH BARB ELBOW
- 6 SWING PIPE, 12-INCH LENGTH
- 7 PVC LATERAL PIPE
- 8 1/2-INCH MALE NPT x .490-INCH BARB ELBOW
- 9 SCH 40 TEE OR ELL
- 10 EDGE OF ROOTBALL
- 11 PVC LATERAL LINE - 3/4"

- 1 PAVEMENT SURFACE
- 2 FINISH GRADE
- 3 TRENCH BACKFILL
- 4 LOCATOR WIRE W/BURIED CAUTION TAPE
- 5 PVC IRRIGATION LATERAL
- 6 SAND BACKFILL
- 7 SCH. 40 PVC LATERAL SLEEVE - SEE PLANS FOR SIZE
- 8 SCH. 40 PVC WIRE SLEEVE FOR CONTROL WIRES, MIN. 2" DIA.
- 9 SCH. 40 PVC MAINLINE SLEEVE - SEE PLANS FOR SIZE
- 10 PVC IRRIGATION MAINLINE
- 11 CONTROL WIRES - TAPE TO MAINLINE AT 10' INTERVALS
- 12 PVC CAP, SOLVENT WELDED

- 1 FLUSH VALVE
- 2 SCH. 40 PVC EXHAUST HEADER
- 3 SCH. 40 PVC TEE OR ELL
- 4 COMPRESSION ADAPTER
- 5 DRIP LINE
- 6 AIR RELIEF VALVE AT HIGH POINT OF SYSTEM (WHEN INDICATED ON PLANS)
- 7 SCH. 40 PVC SUPPLY HEADER
- 8 CONTROL VALVE
- 9 TREE ROOT BALL (WHERE OCCURS IN DRIP AREA)
- 10 RAINBIRD PC-07 EMITTERS (E) OR EQUAL, INSERTED IN DRIP LINE AND GENERALLY SPACED EVENLY AROUND TREE NEAR EDGES OF ROOTBALL (WHERE OCCURS)

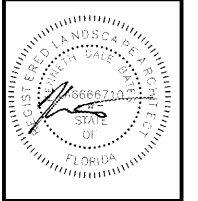
NOTE: SET DRIP LINES 3'-6" AWAY FROM HARDSCAPE

NO.	DATE	REVISIONS
1		
2		
3		
4		
5		
6		
7		
8		

JOB NO.	19-1045
DESIGNED	KB
DRAWN	KB
DATE	NOVEMBER 2019
CHECKED	KB/RM
DATE ISSUED	03/30/2020

MBV ENGINEERING, INC.
 CIVIL & STRUCTURAL SURVEYING & ENVIRONMENTAL
 1250 W. EAU GALIE BLVD
 MELBOURNE, FLORIDA 32935
 P. 321-253-8510 F. 321-253-0911
 VERO 772-589-0035 FT PIERCE 772-688-8685
 CAM972

FLORIDA
 BREVARD COUNTY
 CHRISTIAN BROTHERS
 AUTOMOTIVE REPAIRS



SHEET
LI-3
 19-1045

