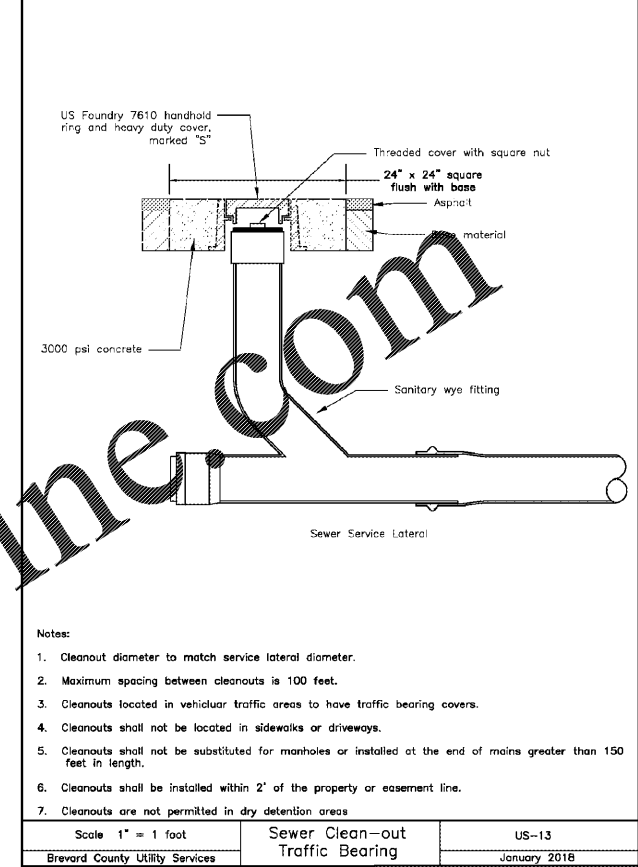
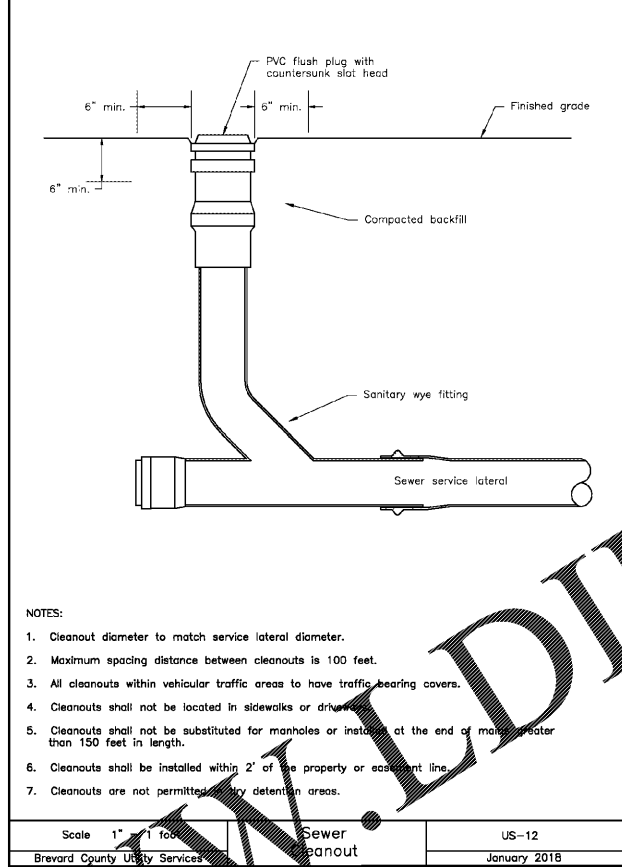
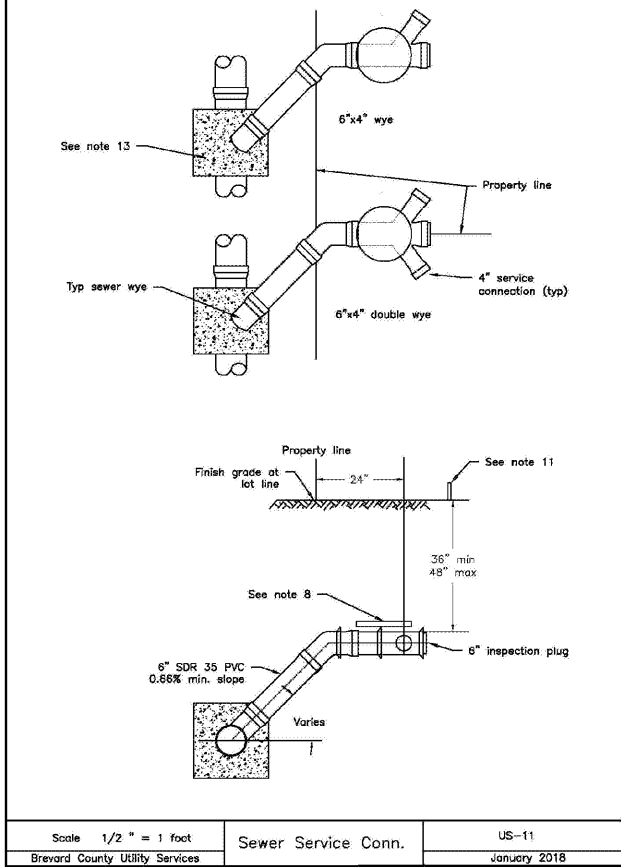


Notes:

- Service laterals must be located in front of the property to be served.
- Service laterals shall extend two feet inside the property and shall be constructed regardless of benefit to or ownership of adjacent lots or parcels.
- Service laterals are to be located in side property easements.
- Service laterals shall be located to avoid conflict with other utilities.
- Number and location of service laterals for large parcels shall be determined on a case-by-case basis.
- Service laterals shall be located at the opposite property line when in conflict with storm drainage systems.
- Service lateral locations shall be marked along the outside edge of curb with a sawcut "S" or by a metal tab set into the pavement for roadways without curb.
- Electronic marker disks are required.
- Pipe and fittings for service laterals shall be of the same material as the main and shall meet the requirements of ASTM D1784.
- Each service shall be staked prior to installation by an engineer or surveyor registered in the State of Florida or an employee under his direct supervision.
- Location and finished grade of ground shall be staked where the lateral crosses the right of way line prior to installation.
- Service laterals shall be provided for sewer service to adjacent lots and parcels when a gravity sewer main is constructed.
- Concrete encasement required for all piping except PVC. PVC connections will be made with a standard PVC sewer wye and a gasketed slip-on fitting.
- All services shall be a minimum of six inches in diameter.

|                                 |                     |              |
|---------------------------------|---------------------|--------------|
| Notes                           |                     | US-10        |
| Brevard County Utility Services | Sewer Service Conn. | January 2018 |

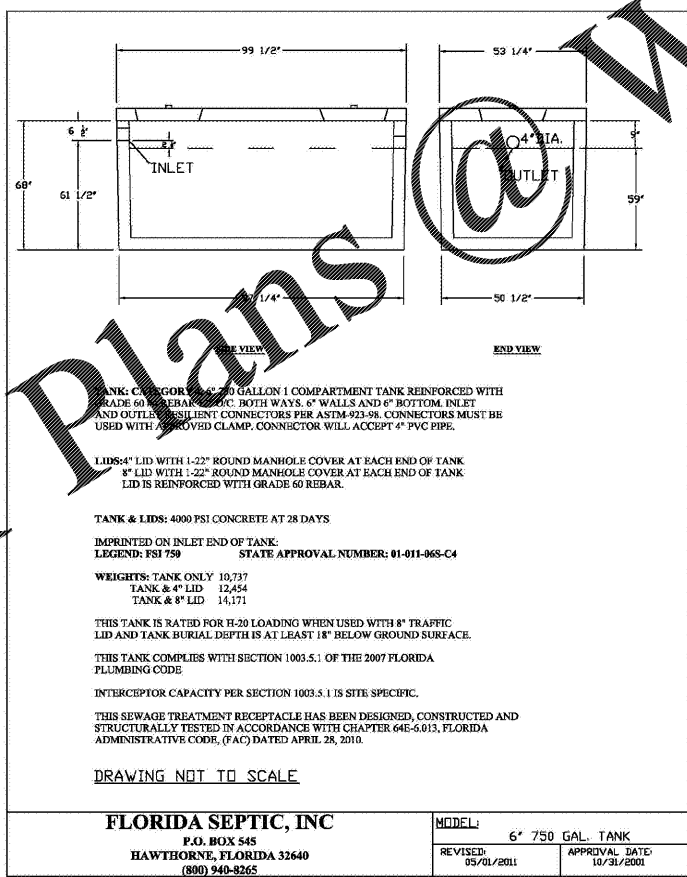


| PIPE SEPARATION TABLE 1 | UPPER PIPE (or at same elevation) |                       |                    |                    |                   |                   |
|-------------------------|-----------------------------------|-----------------------|--------------------|--------------------|-------------------|-------------------|
|                         | WATER                             | GRAVITY SEWER         | FORCE MAIN         | RECLAIMED WATER    | STORM WATER       |                   |
| LOWER PIPE              | WATER                             | H) 3 ft<br>Note H     | H) 10 ft<br>Note A | H) 10 ft<br>Note A | H) 3 ft<br>Note D | H) 3 ft<br>Note D |
|                         |                                   | V) 18 in<br>Note G    | V) 12 in<br>Note D | V) 12 in<br>Note D | V) 2 ft<br>Note E | V) 2 ft<br>Note E |
|                         | GRAVITY SEWER                     | H) 10 ft<br>Notes A,B | H) 3 ft<br>Note H  | H) 3 ft<br>Note H  | H) 6 ft<br>Note F | H) 3 ft<br>Note H |
|                         |                                   | V) 12 in<br>Note C    | V) 6 in<br>Note J  | V) 6 in<br>Note J  | V) 2 ft<br>Note E | V) 2 ft<br>Note E |
|                         | FORCE MAIN                        | H) 10 ft<br>Note A    | H) 3 ft<br>Note H  | H) 3 ft<br>Note H  | H) 3 ft<br>Note G | H) 3 ft<br>Note H |
|                         |                                   | V) 12 in<br>Note D    | V) 6 in<br>Note J  | V) 6 in<br>Note J  | V) 2 ft<br>Note E | V) 2 ft<br>Note E |
|                         | RECLAIMED WATER                   | H) 3 ft<br>Note D     | H) 3 ft<br>Note G  | H) 3 ft<br>Note G  | H) 3 ft<br>Note H | H) 3 ft<br>Note H |
|                         |                                   | V) 12 in<br>Note D    | V) 18 in<br>Note G | V) 18 in<br>Note G | V) 2 ft<br>Note E | V) 2 ft<br>Note E |
|                         | STORM WATER                       | H) 3 ft<br>Note D     | H) 3 ft<br>Note H  | H) 3 ft<br>Note H  | H) 3 ft<br>Note H | H) 3 ft<br>Note H |
|                         |                                   | V) 12 in<br>Note C    | V) 6 in<br>Note J  | V) 6 in<br>Note J  | V) 6 in<br>Note J | V) 6 in<br>Note J |

Legend:  
H - Denotes minimum horizontal clearance between pipes (outside to outside)  
V - Denotes minimum vertical clearance between pipes (outside to outside)

Notes:  
A. 6 foot minimum separation (62-555.314 FAC)  
B. May be 3 feet if the water line is 6 inches above the gravity sewer (62-555.314 FAC)  
C. 6 inch minimum separation (62-555.314 FAC)  
D. 62-555.314 FAC  
E. If less than 2 feet clearance is provided, support cradles are required (US-66)  
F. May be 3 feet if the reclaim line is 12 inches above the gravity sewer.  
G. Section 62-604.400 (2) (h), (i) FAC  
H. Or best engineering judgment.  
J. Minimum for repair purposes

|                                 |              |       |
|---------------------------------|--------------|-------|
| Pipe Separation Table           |              | US-60 |
| Brevard County Utility Services | January 2018 |       |



|           |              |
|-----------|--------------|
| DATE      | XX-XX-XXXX   |
| REVISIONS |              |
| COMMENTS  |              |
| 1         | BAM          |
| 2         | OCTOBER 2018 |
| 3         |              |
| 4         |              |
| 5         |              |
| 6         |              |
| 7         |              |
| 8         |              |

JOB NO. 19-1045  
DESIGNED BUD  
DRAWN BUD  
DATE OCTOBER 2018  
CHECKED  
DATE ISSUED 5/7/2020

**MBV ENGINEERING, INC.**  
P.O. BOX 888888  
1200 W. EAU GALLE BLVD., SUITE H  
MELBOURNE, FLORIDA 32955  
P. 321-283-1510 F. 321-293-0811  
VERO 772-862-0035 FT PIERCE 772-468-8095

UTILITY DETAILS 1

CHRISTIAN BROTHERS  
AUTOMOTIVE REPAIRS

BRUCE A. MOIA  
FL. P.E. #47529  
DATE: 5/7/2020  
SHEET

**C-17**

19-1045 PERMITTING SET

19-1045 COVER - DETAILS - BREVARD

