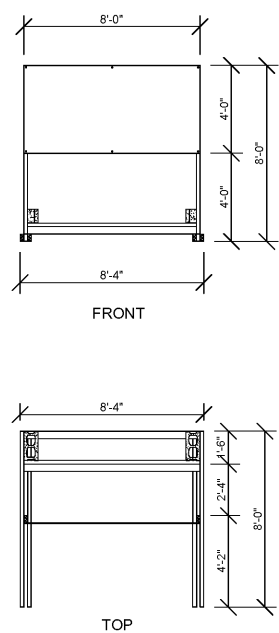
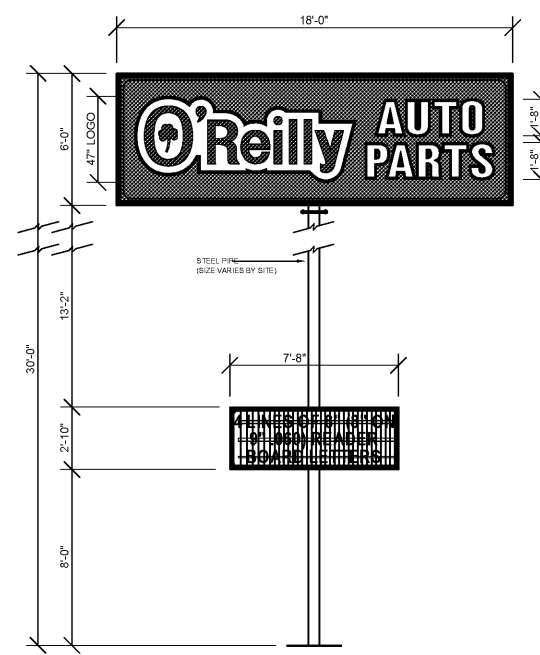
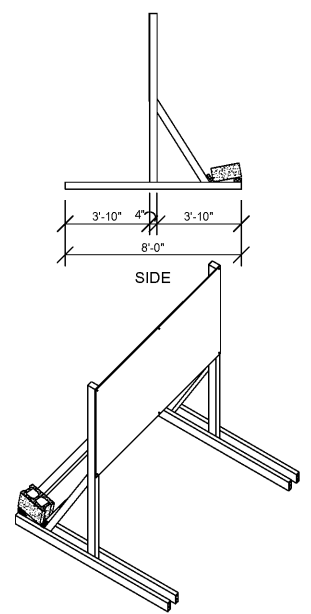


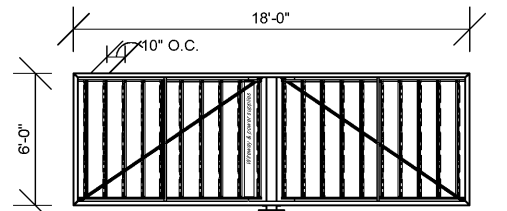
Order Plans @ www.LDILine.com



1 COMING SOON
TEMPORARY CONSTRUCTION SIGN
SG1.2 SCALE: 1/4" = 1'-0"

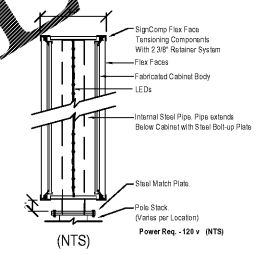


2 GROUND SIGN ELEVATION
SG1.2 SCALE: 1/4" = 1'-0"



- POLE SIGN
SCALE: 1/4" = 1'-0"
- 1 14-1/2" deep extruded cabinet with support structure and 2 1/4" retainers
 - 2 Internal steel pipe with external steel bolt-up plate(s)
 - 3 GE-Tetra PowerStrip DS White LED's, Part #GEWHDSP58 (100K) 6 LED's per module (3 LED's per side) on GE-Tetra Mounting Rails, Part #GEDSRL06 Rails on 10" centers, 100 total modules.
 - 4 GE-Tetra Power Supplies, Part #GEP24-180U 24 Volt 90-305VAC 50/60 HZ Load capacity: 16 modules per power supply. Total of four (4) per display.
 - 5 Fabricated aluminum internal power supply wireway.

- 6 Faces are Panaflex/Digital print. Face graphics to match PMS 200c Red, PMS 342c Green, Black and White.
- 7 2" deep fabricated cabinet with SignComp flex face tensioning components and 2 3/8" retainers. Internal steel pipe with external steel bolt-up plate(s). Vertical GE (GEWHDSP5) White DS LED Illumination. Paint color to: Gloss Black. Internal pipe/cabinet exposure calculation: C60
- 8 Cabinet to be installed with bolt-up plate(s). Paint to: Gloss Black



GENERAL NOTES

- A REFER TO PROJECT MANUAL FOR ADDITIONAL REQUIREMENTS.
- B CONTACT OWNER'S OR TENANT'S DESIGNATED PROJECT ADMINISTRATOR FOR QUESTIONS OR CLARIFICATIONS.
- C PERMANENT SIGNAGE OWNER FURNISHED AND INSTALLED. (REFER TO SCOPE OF WORK SCHEDULE). SIGNAGE GRAPHICS PROVIDED FOR REFERENCE ONLY (N.T.C.) AND CONTRACTOR'S COORDINATION WITH SPECIFIC PROJECT CONSTRUCTION CONDITIONS.
- D SITE SIGN ROUGH-IN ELECTRICAL TO BE PROVIDED BY CONTRACTOR.
- E REQUIRED GOVERNMENTAL PERMITS FOR PERMANENT TYPE SIGNAGE TO BE PROVIDED BY COMPANY PER OWNER'S DIRECTION (N.T.C.).
- F "COMING SOON" TEMPORARY CONSTRUCTION SIGN TO BE PROVIDED BY GENERAL CONTRACTOR. APPLIED SIGNAGE GRAPHICS TO BE OWNER FURNISHED AND GENERAL CONTRACTOR INSTALLED. SITE TEMPORARY CONSTRUCTION SIGN ON SITE SO AS TO BE VISIBLE TO PUBLIC FROM RIGHT-OF-WAY.
- G UNLESS OTHERWISE INDICATED, SITE POLE SIGN FOUNDATION CONSTRUCTION BY SIGN CONTRACTOR (BY OTHERS - NOT IN CONTRACT AND SITE MONUMENT SIGN FOUNDATION CONSTRUCTION BY GENERAL CONTRACTOR (BASE BID).

SPECIAL NOTE:
SIGN DESIGN BY OTHERS, REFER TO SIGN CONTRACTOR'S SHOP DRAWINGS FOR ADDITIONAL REQUIREMENTS.

NOTE:
REFER TO SHEET S1.2 FOR SIGN FOUNDATION SYSTEM STRUCTURAL REQUIREMENTS.

INDIVIDUAL ARCHITECTURAL REGISTRATION NO.: A0017636



SHEETS BEARING THIS SEAL ARE AUTHENTICATED. RESPONSIBILITY FOR ALL OTHER PLANS, SPECIFICATIONS OR INSTRUMENTS ARE DISCLAIMED.

O'Reilly AUTO PARTS
CORPORATE OFFICES
233 SOUTH PATTERSON
SPRINGFIELD, MISSOURI 65802
(417) 862-2674 TELEPHONE

PROJECT:
NEW O'REILLY AUTO PARTS STORE
2425 COUNTY HIGHWAY 484
OCALA, FLORIDA

SITE SIGNAGE DETAILS

Buddy Webb, NCARB, AIA
Architect - Consultant
3057 EAST CAIRO
SPRINGFIELD, MISSOURI 65802
(417) 877-1385 TELEPHONE
(417) 877-9786 FAX

DRAWN BY: RJD
CHECKED BY: SB
DATE: 04/01/20
REVISION:

PROJECT NUMBER:
OF7

SHEET NUMBER
SG1.2

© COPYRIGHT 2020 - DESIGNS, DRAWINGS AND SPECIFICATIONS ARE INSTRUMENTS OF SERVICE AND ARE THE PROPERTY OF THE DESIGN PROFESSIONAL. REPRODUCTION PROHIBITED WITHOUT THE EXPRESSED WRITTEN CONSENT OF THE DESIGN PROFESSIONAL.