

ENERGY CODE SPECIAL
NATIONAL ACCOUNT ROOFTOP UNIT SCHEDULE - 5 TON - HEAT PUMP (3-PHASE) - BY O'REILLY

RTU - RESPONSIBILITIES

- 1.) ALL CARRIER HVAC UNITS ARE OWNER SUPPLIED BY O'REILLY AUTOMOTIVE.
- 2.) MECHANICAL CONTRACTOR IS RESPONSIBLE FOR THE INSTALLATION OF ALL CARRIER HVAC UNITS.
- 3.) MECHANICAL CONTRACTOR IS RESPONSIBLE FOR THE FIRST YEAR LABOR WARRANTY ON ALL OWNER SUPPLIED EQUIPMENT.
- 4.) MECHANICAL CONTRACTORS WORKING ON O'REILLY PROJECTS MUST CALL "CARRIER CORPORATION'S NATIONAL ACCOUNTS" DEPARTMENT FOR CONFIRMATION OF ORDERS ONLY!
- 5.) MECHANICAL CONTRACTOR IS RESPONSIBLE FOR SCHEDULING, SHIPPING & RECEIVING OF ALL CARRIER UNITS FROM CARRIER NATIONAL ACCOUNTS. CONTACT CUSTOMER SERVICE REP. LISTED TO THE RIGHT.

CALL THE CARRIER CUSTOMER SERVICE REP. BELOW FOR CONFIRMATION OF ORDERS. DO NOT CALL CARRIER FOR QUOTES!

CARRIER CORPORATION, STRATEGIC ACCOUNTS, CARRIER PARKWAY, SYRACUSE, NEW YORK 13221		CUSTOMER SERVICE REPS: TARA ROWSER 315-432-5979 Tara.rowser@carrier.com StrategicAccounts2@carrier.utc.com		ACCOUNT MANAGER: PAUL WITZ 315-317-2481 paul.witz@carrier.utc.com	
--	--	--	--	---	--

MARK	DESCRIPTION	MFR.	CATALOG NUMBER	HTG. MBH		CLG. MBH		SEER	EER	HSPF	SUPPLY FAN				ELECTRICAL		Wt. (lbs.)	ACCESSORIES	REMARKS	REF. DTL.
				IN	OUT	TOT.	SENS.				CFM	O.A.	ESP	HP	MCA	MOCP				
RTU-3	WEATHERMAKER PACKAGED ROOFTOP UNIT 5-TON	CARRIER	50HC0A06K2M5-6U1D0	4.9	16.72	81.5	47.3	15.00	12.50	8.20	2000	47	50*	750	SEE BELOW	△△△	1/2	2/2		

ACCESSORIES - FACTORY SUPPLIED AND INSTALLED

SD - RETURN AIR SMOKE DETECTOR.
MB - MEDIUM STATIC BLOWER.
HG - LOUVERED HAIL GUARDS.
UPO - UN-POWERED CONVENIENCE OUTLET (FIELD POWERED), 15AMP, 120V, GROUND FAULT CIRCUIT INTERRUPTER (GFCI) TYPE.
TBE - THRU-THE-BOTTOM-ELECTRIC SERVICE. (SEE ROOF TOP UNIT DETAILS)
SS - HI & LOW REFRIGERANT SAFETY SWITCHES. (STANDARD ON EVERY UNIT)
AF - 2" RETURN AIR FILTERS. (STANDARD ON EVERY UNIT)
EC - LOW LEAK DRY BULB ECONOMIZER X, W/BAROMETRIC RELIEF & 7220 HONEYWELL CONTROL. THIS ECONOMIZER & CONTROLLER IS LISTED BY THE ENERGY CODE AND IS EQUIPPED WITH FAULT DETECTION AND DIAGNOSTICS (FDD)
COF - CONDENSATE OVERFLOW SWITCH (CAN'T BE USED WITH HORIZONTAL RETURN UNITS).

ACCESSORIES - O'REILLY SUPPLIED & FIELD INSTALLED

TS1 - GRIDPOINT THERMOSTAT. (NO SUBSTITUTIONS). REFER TO EM SHEETS.
DS - NON-FUSED DISCONNECT SWITCH. (GRAYBAR/O'REILLY) SUPPLIED W/ ELECTRICAL BILL OF MATERIALS.

REMARKS

△ COOLING CAPACITY BASED ON 80°F EDB AND 67°F EWB.
△ CAPACITY BASED ON 95°F AMBIENT TEMPERATURE.
△ **NOTE! HVAC COMPLETION.** AT CONSTRUCTION COMPLETION:
1. CONTRACTOR SHALL REPLACE ALL RETURN AIR FILTERS INSIDE ALL HVAC UNITS W/CLEAN NEW AIR FILTERS.
2. CONTRACTOR SHALL SUPPLY AN ADDITIONAL CLEAN SET OF FILTERS TO THE OWNER AT JOB COMPLETION.
3. CONTRACTOR SHALL SHOW THE STORE MANAGER THE LOCATION OF & INSTRUCT HIM/HER HOW TO CHANGE ALL AIR FILTERS.
△ FACTORY EQUIPPED WITH STANDARD LOW AMBIENT COOLING TO 35°F ODB.

ENERGY CODE SPECIAL
NATIONAL ACCOUNT ROOFTOP UNIT SCHEDULE - 7.5 TON - HEAT PUMP (3-PHASE) - BY O'REILLY

RTU - RESPONSIBILITIES

- 1.) ALL CARRIER HVAC UNITS ARE OWNER SUPPLIED BY O'REILLY AUTOMOTIVE.
- 2.) MECHANICAL CONTRACTOR IS RESPONSIBLE FOR THE INSTALLATION OF ALL CARRIER HVAC UNITS.
- 3.) MECHANICAL CONTRACTOR IS RESPONSIBLE FOR THE FIRST YEAR LABOR WARRANTY ON ALL OWNER SUPPLIED EQUIPMENT.
- 4.) MECHANICAL CONTRACTORS WORKING ON O'REILLY PROJECTS MUST CALL "CARRIER CORPORATION'S NATIONAL ACCOUNTS" DEPARTMENT FOR CONFIRMATION OF ORDERS ONLY!
- 5.) MECHANICAL CONTRACTOR IS RESPONSIBLE FOR SCHEDULING, SHIPPING & RECEIVING OF ALL CARRIER UNITS FROM CARRIER NATIONAL ACCOUNTS. CONTACT CUSTOMER SERVICE REP. LISTED TO THE RIGHT.

CALL THE CARRIER CUSTOMER SERVICE REP. BELOW FOR CONFIRMATION OF ORDERS. DO NOT CALL CARRIER FOR QUOTES!

CARRIER CORPORATION, STRATEGIC ACCOUNTS, CARRIER PARKWAY, SYRACUSE, NEW YORK 13221		CUSTOMER SERVICE REPS: TARA ROWSER 315-432-5979 Tara.rowser@carrier.com StrategicAccounts2@carrier.utc.com		ACCOUNT MANAGER: PAUL WITZ 315-317-2481 paul.witz@carrier.utc.com	
--	--	--	--	---	--

MARK	DESCRIPTION	MFR.	CATALOG NUMBER	HTG. MBH		CLG. MBH		SEER	EER	HSPF	SUPPLY FAN				ELECTRICAL		Wt. (lbs.)	ACCESSORIES	REMARKS	REF. DTL.
				IN	OUT	TOT.	SENS.				CFM	O.A.	ESP	HP	MCA	MOCP				
RTU-1	WEATHERMAKER PACKAGED ROOFTOP UNIT 7.5-TON	CARRIER	50HC0D08K2M5-6U1K0	7.8	26.62	46/34.5	46/34.5	13.7	12.10	3.50	3000	67	70*	1172	SEE BELOW	△△△	1/2	2/2		

ACCESSORIES - FACTORY SUPPLIED AND INSTALLED

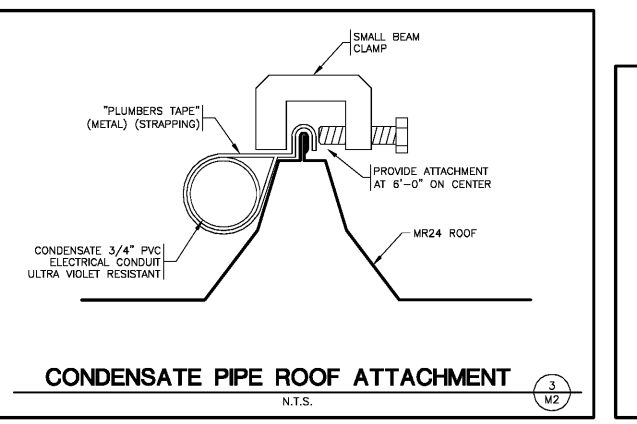
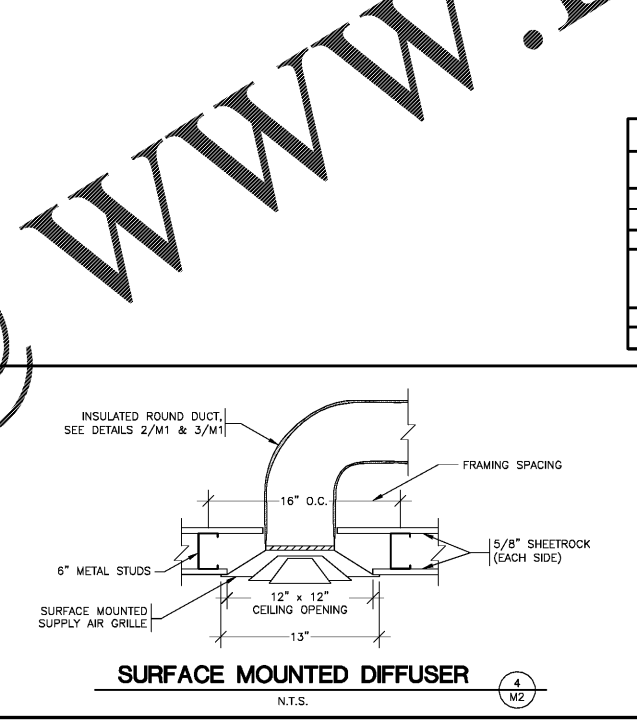
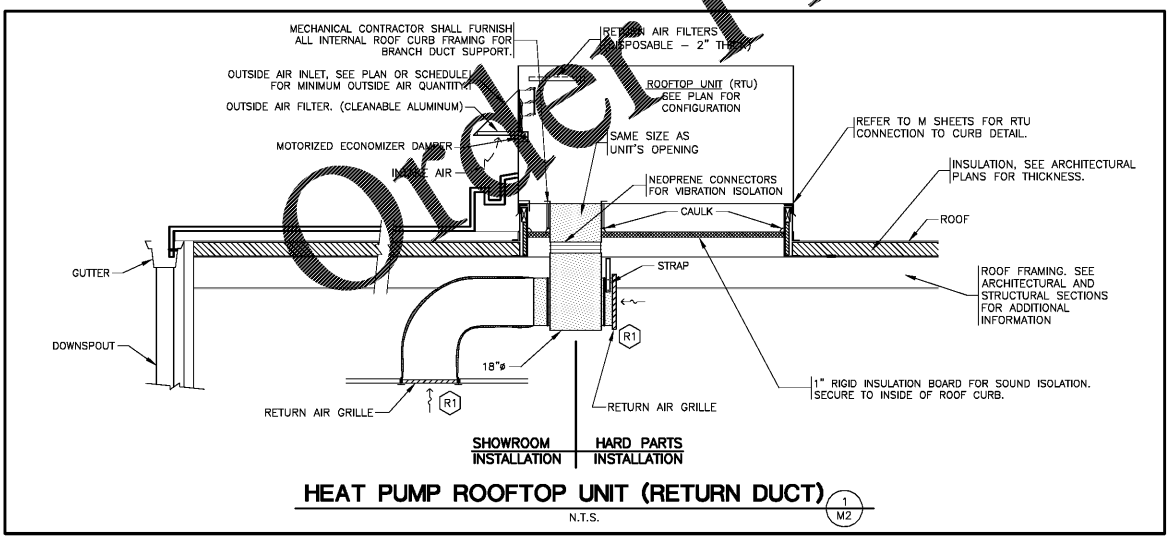
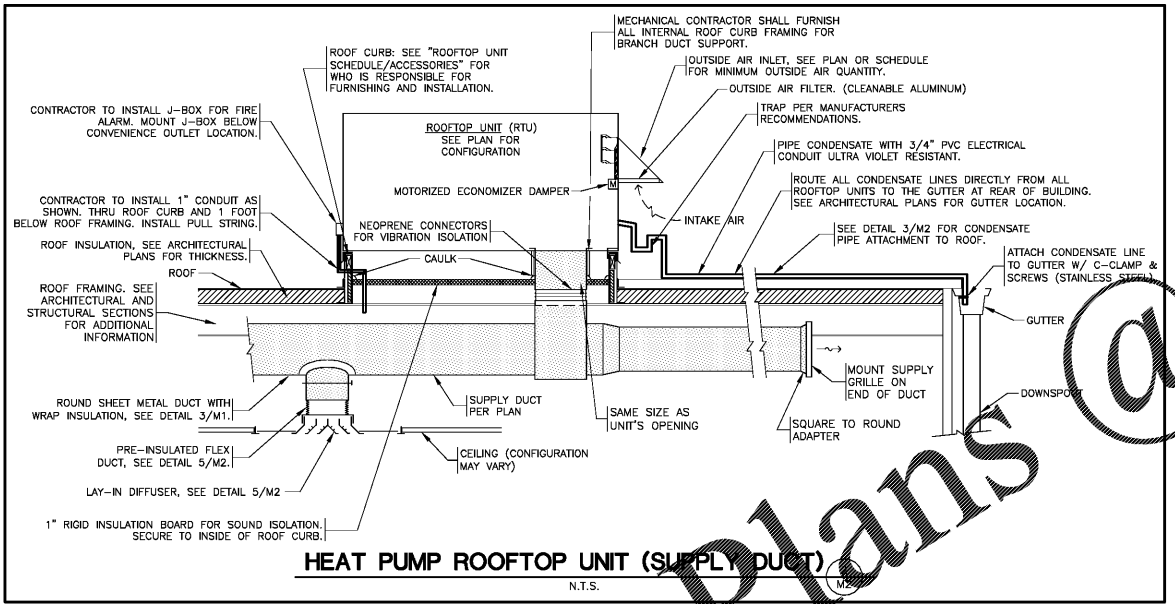
SD - RETURN AIR SMOKE DETECTOR.
MB - MEDIUM STATIC BLOWER.
HG - LOUVERED HAIL GUARDS.
UPO - UN-POWERED CONVENIENCE OUTLET (FIELD POWERED), 15AMP, 120V, GROUND FAULT CIRCUIT INTERRUPTER (GFCI) TYPE.
TBE - THRU-THE-BOTTOM-ELECTRIC SERVICE. (SEE ROOF TOP UNIT DETAILS)
SS - HI & LOW REFRIGERANT SAFETY SWITCHES. (STANDARD ON EVERY UNIT)
AF - 2" RETURN AIR FILTERS. (STANDARD ON EVERY UNIT)
VFD - 2 SPEED FAN CONTROLLER. (VFD)
EC - LOW LEAK DRY BULB ECONOMIZER X, W/BAROMETRIC RELIEF & 7220 HONEYWELL CONTROL. THIS ECONOMIZER & CONTROLLER IS LISTED BY THE ENERGY CODE AND IS EQUIPPED WITH FAULT DETECTION AND DIAGNOSTICS (FDD)
COF - CONDENSATE OVERFLOW SWITCH (CAN'T BE USED WITH HORIZONTAL RETURN UNITS).

ACCESSORIES - O'REILLY SUPPLIED & FIELD INSTALLED

TS1 - GRIDPOINT THERMOSTAT. (NO SUBSTITUTIONS). REFER TO EM SHEETS.
DS - NON-FUSED DISCONNECT SWITCH. (GRAYBAR/O'REILLY) SUPPLIED W/ ELECTRICAL BILL OF MATERIALS.

REMARKS

△ COOLING CAPACITY BASED ON 80°F EDB AND 67°F EWB.
△ CAPACITY BASED ON 95°F AMBIENT TEMPERATURE.
△ **NOTE! HVAC COMPLETION.** AT CONSTRUCTION COMPLETION:
1. CONTRACTOR SHALL REPLACE ALL RETURN AIR FILTERS INSIDE ALL HVAC UNITS W/CLEAN NEW AIR FILTERS.
2. CONTRACTOR SHALL SUPPLY AN ADDITIONAL CLEAN SET OF FILTERS TO THE OWNER AT JOB COMPLETION.
3. CONTRACTOR SHALL SHOW THE STORE MANAGER THE LOCATION OF & INSTRUCT HIM/HER HOW TO CHANGE ALL AIR FILTERS.
△ FACTORY EQUIPPED WITH STANDARD LOW AMBIENT COOLING TO 35°F ODB.



FAN SCHEDULE

MARK	DESCRIPTION	MFR.	CATALOG NUMBER	CFM (NOM)	STATIC PRESS.	MOTOR H.P.	ELECTRICAL			ACCESSORIES	REMARKS	REF. DETAIL
							V/PH	MCA	MOCP			
EF-1	INLINE EXHAUST FAN	COOK	GN-642	500	0.1	195W	120/1	-	-	BD,DS,WC	△	-
EF-2	INLINE FAN	COOK	GN-642	500	0.1	195W	120/1	-	-	BD,DS,SS	△	-

ACCESSORIES

BD - GRAVITY BACK DRAFT DAMPER
DS - DISCONNECT SWITCH
WC - WALL CAP, "COOK" #WCA-6, ALUMINUM
SS - FAN SPEED SWITCH "COOK" #FSC (OFFICE ONLY)

APPROVED ALTERNATE MANUFACTURER'S

FANS: *GREENHECK *CARNES

REMARKS

△ ADJUST FOR CFM REQUIRED.
△ EXHAUST FAN SHALL BE WIRED BY THE ELECTRICAL CONTRACTOR TO OPERATE WITH EITHER RESTROOM'S LIGHT SWITCH.
△ FAN IN OFFICE TO BE CONTROLLED BY FAN SPEED SWITCH.

GRILLE AND DIFFUSER SCHEDULE

MARK	DESCRIPTION	MFR.	CATALOG NUMBER	SIZE (in.)	FINISH	MOUNTING	BRANCH DUCT SIZE	ACCESSORIES	REMARKS	REF. DETAIL
(S)	SUPPLY GRILLE	ANEMOSTAT	S2HO	14x14	WHITE	DUCT	SEE PLAN	OB	△	-
(S)	SUPPLY DIFFUSER	ANEMOSTAT	E-1-D	12x12	WHITE	SURFACE	SEE PLAN	DT	△	4/M2
(R)	SUPPLY DIFFUSER	ANEMOSTAT	EPL	24x24	WHITE	DUCT/LAY-IN	SEE PLAN	-	△	5/M2
(R)	RETURN GRILLE	ANEMOSTAT	GCS	24x24	WHITE	LAY-IN/EXPOSED	SEE PLAN	-	△	5/M2
(R)	RETURN GRILLE	ANEMOSTAT	GCS	12x12	WHITE	SURFACE	SEE PLAN	-	△	4/M2
(X)	EXHAUST GRILLE	ANEMOSTAT	S3HS	12x12	WHITE	CEILING	SEE PLAN	OB	△	-

ACCESSORIES

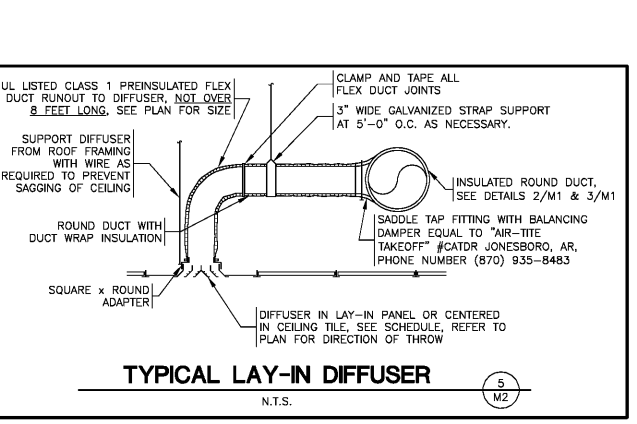
OB - OPPOSED BLADE DAMPER.
DT - DIRECTIONAL TABS.

APPROVED ALTERNATE MANUFACTURER'S

GRILLES, DIFFUSERS & DAMPERS:
*TUTTLE & BAILEY *NAILOR *ARROW *CARNES
*PRICE INDUSTRIES *TITUS *KRUEGER

REMARKS

△ 1-WAY
△ 4-WAY
△ DIRECTIONAL TABS, ADJUST TO PROVIDE THROW AS INDICATED ON PLANS.



O'Reilly AUTO PARTS

NEW O'REILLY AUTO PARTS STORE
2425 COUNTY HIGHWAY 484
OCALA, FLORIDA

HVAC SCHEDULES

CORPORATE OFFICES
233 SOUTH PATTERSON
SPRINGFIELD, MISSOURI 65602
(417) 862-2674 TELEPHONE

SGE
SMITH-GLOTH ENGINEERS, INC.

3885 S. JEFFERSON AVE.
SPRINGFIELD, MO 65807
P: 417-882-2200
F: 417-882-1188
www.smithglath.com

DESIGNED BY: **LHT** CHECKED BY: **ALT/BLC**

DATE: **04/01/2020**

REVISION:

PROJECT NUMBER: **OF7**

SHEET NUMBER: **M2**

REPRODUCTION PROHIBITED WITHOUT THE EXPRESSED WRITTEN CONSENT OF THE DESIGN PROFESSIONAL.