

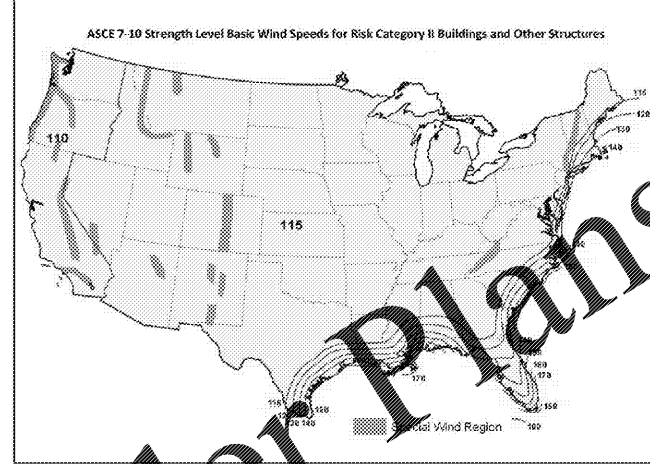
STEEL SQUARE POLES

Table with columns: POLE, 100 MPH, 110 MPH, 120 MPH, 130 MPH, 140 MPH, 150 MPH, 160 MPH, 170 MPH, 180 MPH, 190 MPH, 200 MPH. Includes notes on wind speed map and ASCE 7-10.

LSI Industrial poles are guaranteed to meet the EPA requirements listed. LSI Industries is not responsible for any other requirements. CAUTION: This guarantee does not apply if the pole bracing fixture combination is used to support any other loads such as flags, antennas, or signs, which would add stress to the pole.

Project Name: _____ Fixture Type: _____ Catalog # _____

WINDSPEED MAP FOR ASCE 7-10



Wind Speed Map and EPA are based on ASCE 7-10. Please inform LSI if your local code requirements differ. LSI can supply calculations for your requirements.

- NOTES: 1. Values are the basic wind speeds of 3-second gusts for exposure Category II. 2. Linear interpolation between values is acceptable. 3. Use the map to determine the basic wind speed. Always use high end of range. 4. Local wind speed values may differ from wind pressures and forces specified in ASCE 7-10. 5. Local wind speed values may differ from those shown on map.

LSI Industries' poles are guaranteed to meet the EPA requirements listed. Pole manufacturer is not responsible if a pole order has a lower EPA rating than the indicated EPA rating. CAUTION: This guarantee does not apply if the pole bracing fixture combination is used to support any other loads such as flags, antennas, or signs, which would add stress to the pole.

Project Name: _____ Fixture Type: _____ Catalog # _____

STEEL SQUARE POLES

Table with columns: POLE ORDER PILING INFORMATION, 5SQ85, S076, 24, S, PLP, SF, BGP. Includes dimensions, material, and accessories.

- 1 - See Pole Lighting Brackets section for details on Pole Lighting Brackets. 2 - Pole supports will have a 1/2" diameter. 3 - See Pole Lighting Brackets section for details of P/B brackets.

Table with columns: BOLT CIRCLE, 4" (100mm) square, 6" (152mm) square, 8" (203mm) square, 10" (254mm) square. Includes dimensions and notes.

Project Name: _____ Fixture Type: _____ Catalog # _____

STEEL SQUARE POLES

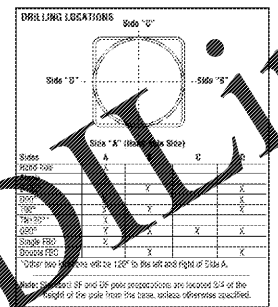
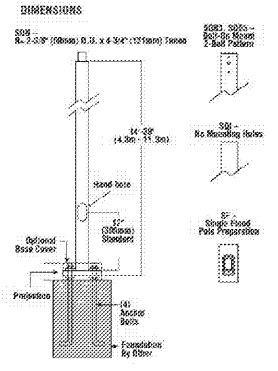
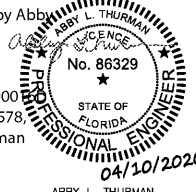


Table with columns: SHIPPING WEIGHTS - Steel Square Poles. Lists weights for different pole sizes and heights.

Project Name: _____ Fixture Type: _____ Catalog # _____

Abby L Thurman

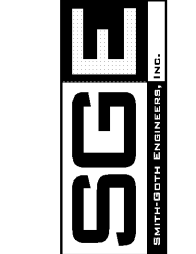
Digitally signed by Abby L Thurman DN: c=US, o=Unaffiliated, ou=A01410D00003578, D53437800003578, cn=Abby L Thurman Date: 2020.04.21 10:03:55 -05'00'



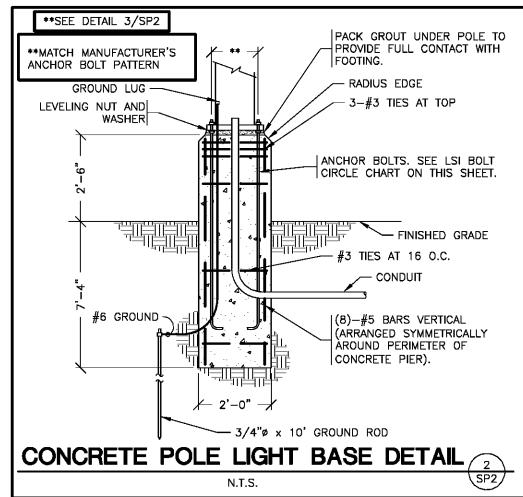
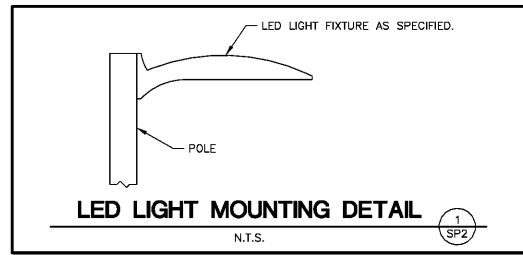
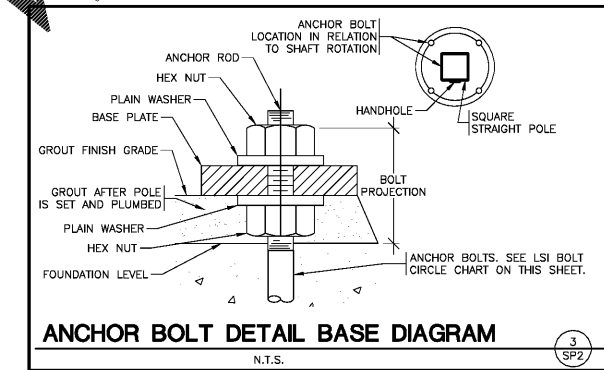
REILLY AUTO PARTS CORPORATE OFFICES 253 SOUTH PATTERSON SPRINGFIELD, MISSOURI 65802 (417) 862-2674 TELEPHONE

PROJECT: O'REILLY AUTO PARTS STORE 2425 COUNTY HIGHWAY 484 OCALA, FLORIDA SITE LIGHTING DETAILS

3855 S. JEFFERSON AVE. SPRINGFIELD, MO 65807 P: 417-882-2200 F: 417-882-1188 WWW.SMITHCO.COM



DRAWN BY: LHT CHECKED BY: ALT/BLC DATE: 04/01/2020 REVISION: PROJECT NUMBER: OF7 SHEET NUMBER: SP2



Order Plans

WWW.LSDIline.com