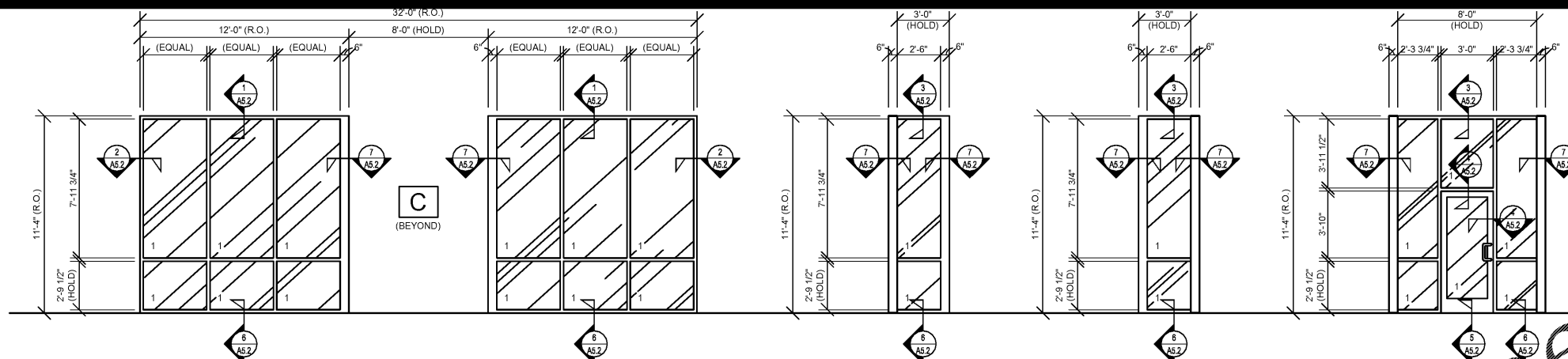


WINDOW TYPES



A ALUMINUM CURTAIN WALL FRAMING (2 1/4" X 6") SYSTEM, THERMALLY BROKEN, FIXED UNIT.

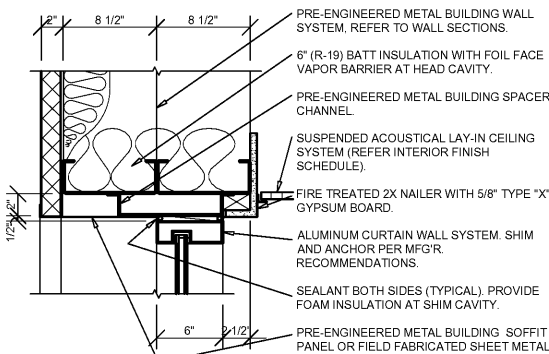
B1 ALUMINUM CURTAIN WALL FRAMING (2 1/4" X 6") SYSTEM, THERMALLY BROKEN, FIXED UNIT.

B2 ALUMINUM CURTAIN WALL FRAMING (2 1/4" X 6") SYSTEM, THERMALLY BROKEN, FIXED UNIT.

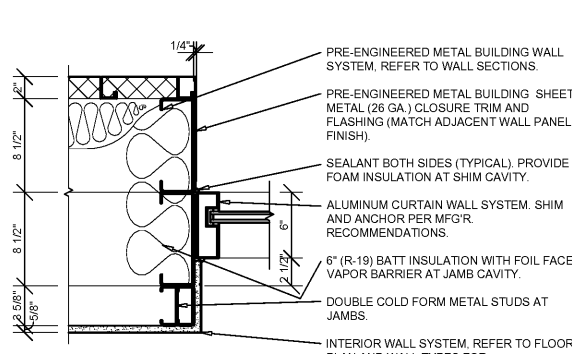
C ALUMINUM CURTAIN WALL FRAMING (2 1/4" X 6") SYSTEM, THERMALLY BROKEN, FIXED UNIT.

NOTE: REFER TO WALL SECTIONS FOR TYPICAL EXTERIOR WALL CONSTRUCTION NOTATION.

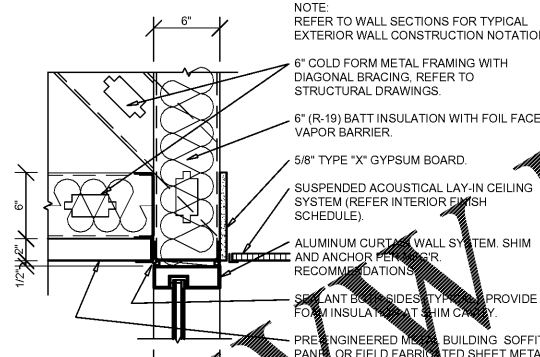
NOTE: REFER TO WALL SECTIONS FOR TYPICAL EXTERIOR WALL CONSTRUCTION NOTATION.



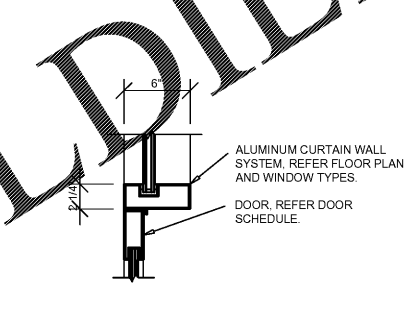
1 HEAD DETAIL
A5.2 SCALE: 1 1/2" = 1'-0"



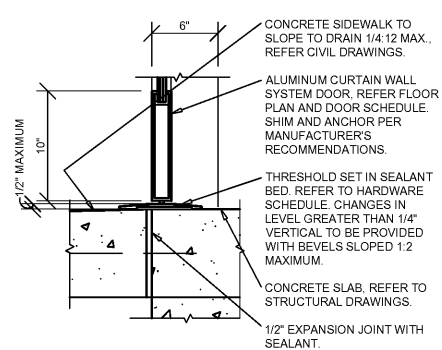
2 JAMB DETAIL
A5.2 SCALE: 1 1/2" = 1'-0"



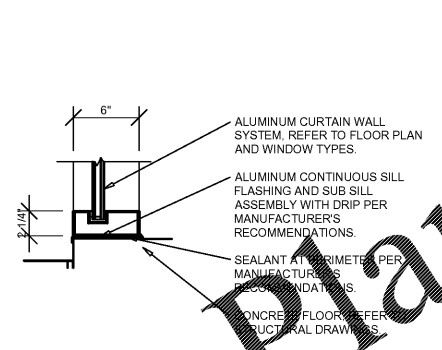
3 HEAD DETAIL
A5.2 SCALE: 1 1/2" = 1'-0"



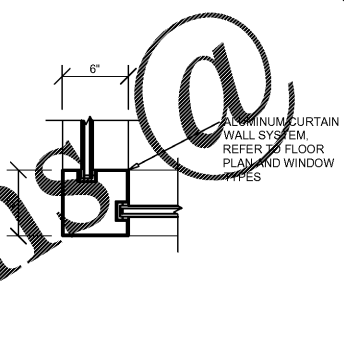
4 HEAD / JAMB DETAIL
A5.2 SCALE: 1 1/2" = 1'-0"



5 SILL DETAIL
A5.2 SCALE: 1 1/2" = 1'-0"



6 SILL DETAIL
A5.2 SCALE: 1 1/2" = 1'-0"



7 JAMB DETAIL
A5.2 SCALE: 1 1/2" = 1'-0"

GENERAL NOTES

- A REFER TO PROJECT MANUAL FOR ADDITIONAL REQUIREMENTS.
- B REFER TO BUILDING CODE SUMMARY FOR PROJECT STRUCTURAL DESIGN CRITERIA. WINDOW FRAMING AND ANCHORING SYSTEMS SHALL BE DESIGNED BY MANUFACTURER TO CONFORM TO PERFORMANCE AND TESTING REQUIREMENTS SPECIFIED.
- C REFER TO FLOOR PLAN, ELEVATIONS, AND SECTIONS FOR ADDITIONAL REQUIREMENTS.
- D WINDOW TYPE ELEVATIONS SHOWN VIEWED FROM EXTERIOR SIDE.
- E REFER TO EXTERIOR FINISH SCHEDULES FOR ALUMINUM WINDOW FRAMING COLORS. PERIMETER SEALANT COLOR TO MATCH WINDOW FRAMING COLOR UNLESS OTHERWISE INDICATED.
- F ALL DIMENSIONS TO FACE UNLESS OTHERWISE INDICATED. PROVIDE VERIFICATION OF OPENINGS PRIOR TO FABRICATION.
- G REFER TO HARDWARE SCHEDULES FOR ADDITIONAL REQUIREMENTS.
- H SECURITY SHUTTERS MAY BE REQUIRED. CONTACT PROJECT ADMINISTRATOR FOR VERIFICATION. (REFER TO SCOPE OF WORK SCHEDULE) PROVIDE ADDITIONAL SUPPORT FRAMING SYSTEM AS REQUIRED.
- I WHEN WIND SPEED IS EQUAL TO OR GREATER THAN 120 MPH, A STORM PANEL SYSTEM SHALL BE OWNER FURNISHED AND INSTALLED. CONTACT PROJECT ADMINISTRATOR TO VERIFY AND COORDINATE WITH SYSTEM PROVIDED BY OTHERS. (REFER TO SCOPE OF WORK SCHEDULE) PROVIDE ADDITIONAL SUPPORT FRAMING SYSTEM AS REQUIRED.
- J CONTRACTOR'S OPTION TO DIRECT ORDER AND PURCHASE WINDOW FRAMING SYSTEM AND GLAZING FROM THE FOLLOWING SUPPLIER (REFER TO SCOPE OF WORK SCHEDULE):

COULTER & COMPANY
13711 E. 66TH ST. N.
OWASSO, OK 74055
PHONE: (918) 272-4494
FAX: (918) 272-7908
EMAIL: carl@coulterglass.com
CONTACT: Carl Yorman

GLAZING SCHEDULE

- 1 1" INSULATED SAFETY GLAZING (1/4" VITRO "SOLEXIA" EXTERIOR PANE / 1/4" CLEAR INTERIOR PANE) SHADING COEFFICIENT 0.57

INDIVIDUAL ARCHITECTURAL REGISTRATION NO.: A0017636
Date: 2020.04.20
20:28:10 -05'00
Adobe Acrobat
version:
2019.012.20040
SHEETS BEARING THIS SEAL ARE AUTHENTICATED. RESPONSIBILITY FOR ALL OTHER PLANS, SPECIFICATIONS OR INSTRUMENTS ARE DISCLAIMED.

O'Reilly AUTO PARTS
CORPORATE OFFICES
283 SOUTH PATTERSON
SPRINGFIELD, MISSOURI 65802
(417) 866-2674 TELEPHONE

PROJECT:
NEW O'REILLY AUTO PARTS STORE
2425 COUNTY HIGHWAY 484
OCALA, FLORIDA
WINDOW SCHEDULE

Buddy Webb, NCARB, AIA
Architect - Consultant
3057 EAST CAIRO
SPRINGFIELD, MISSOURI 65802
(417) 877-1385 TELEPHONE
(417) 877-9796 FAX

DRAWN BY: RJD
CHECKED BY: SB
DATE: 04/01/20
REVISION:
PROJECT NUMBER: OF7
SHEET NUMBER:

A5.2

Order Plans@

WWW.LDILINE.COM

© COPYRIGHT 2020 - DESIGNS, DRAWINGS AND SPECIFICATIONS ARE INSTRUMENTS OF SERVICE AND ARE THE PROPERTY OF THE DESIGN PROFESSIONAL. REPRODUCTION PROHIBITED WITHOUT THE EXPRESSED WRITTEN CONSENT OF THE DESIGN PROFESSIONAL.